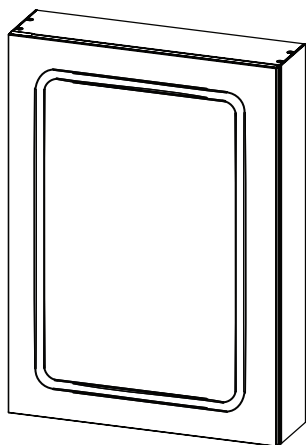
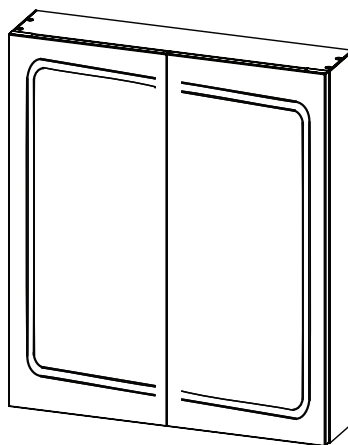


Vapor 50, 60 & 80 Cabinet



Vapor 50
Art No. 51400



Vapor 60 & 80
Art No. 51500 & 51600

Thank you for purchasing this HiB product.

Please read through these instructions carefully and refer back to them during installation to ensure that your product is fitted safely and that it retains its high quality finish.

Please retain this leaflet for future reference.

Before drilling, ensure there are no hidden cables or pipes in the wall. **Ensure the domestic electrical mains supply to which the product is being connected is turned off for installation.**

Please Note This cabinets is controlled by a PIR sensor with a minimum activation distance of approximately 600mm between the sensor and any solid object/surface with a delayed response time of approximately two seconds. The cabinet will remain on until the PIR sensor is not obstructed for approximately 5 minutes.

1) These products must be installed with a minimum distance of 300mm between the infrared sensor switch and any surface or object to ensure correct operation of the sensor. **The front edge of the basin should be less than 600mm when measured from the front of the cabinet**

2) The cabinet is a Class 1 appliance and, as such, must be connected to the earth wire of the household power supply.

3) USB Socket - If an appliance is connected and the current draw exceeds 1.5A, the USB driver will automatically go into protective shutdown mode and the LED light on the USB socket will flash.

Disconnecting the appliance will reset the USB driver.

Any appliance that requires more than and 1.5A current should not be used in the USB socket.

Installation

1. Position the cabinet in a suitable location (according to the zonal diagram on the back page (Fig. 1)) ensuring that the mains supply cable is within reach of the cable connection point of the cabinet.
2. Carefully mark the desired position of the top of the cabinet on the wall using a soft pencil.
3. Remove the cabinet from the wall and using a spirit level, mark a horizontal line 40mm below the pencil mark. Hold the mounting bracket in place with the holes corresponding with the marked line. Ensure the bracket is central, and mark the position of the holes (Fig. A).
- 4. Before drilling, ensure there are no hidden cables or pipes behind the mounting points.** Drill the required holes in the marked positions. If drilling through tile, use a ceramic drill bit. Insert the wall plugs level with the surface of the wall. If fitting to a tiled surface, wall plugs should be inserted below the tile surface to avoid cracking. *NB. For plasterboard walls, specialist fixings should be purchased, available from any DIY or hardware store. Fix the bracket to the wall using the screws provided.*
5. Temporarily hang the cabinet on the top bracket, and position the bottom mounting bracket in place (Fig.B). Mark the position of the bracket on the wall using a soft pencil, then remove the cabinet from the wall.
6. Drill hole in the wall where you have marked with the soft pencil. Attach the bottom bracket to the under side of the cabinet with the screw provided in the fixing pack.
- 7. Ensure the domestic electrical mains supply to which the product is being connected is turned off.** Connect the domestic mains supply according to Fig.E.
8. When the product is wired correctly, hang the cabinet on the top bracket and secure the cabinet by fixing the bottom bracket to the wall.
9. When the cabinet is correctly fitted, adjust the shelf support brackets to your desired height ensuring the matching brackets are level. This is done by slightly loosening the screw, **do not remove the screw completely**. Once in position tighten screw to secure the bracket and put the glass shelf into the shelf support bracket (See Fig.F).

Operations Instructions

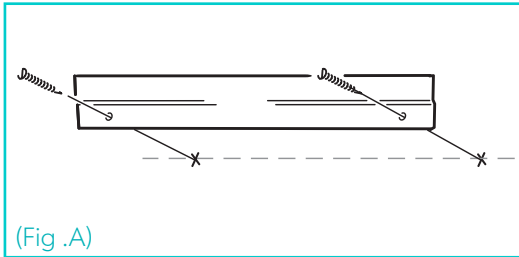
This cabinet is controlled by a PIR sensor with a minimum activation distance of approximately 600mm between the sensor and any solid object/surface with a delayed response time of approximately two seconds. The cabinet will remain on until the PIR sensor is not obstructed for approximately 5 minutes.

Care Instructions

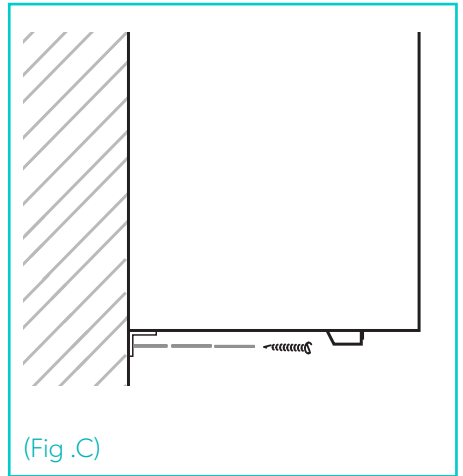
Do not use abrasives or solvents when cleaning this product. Wipe off all water spillages as soon as possible using a soft, damp cloth.

Aftercare Service

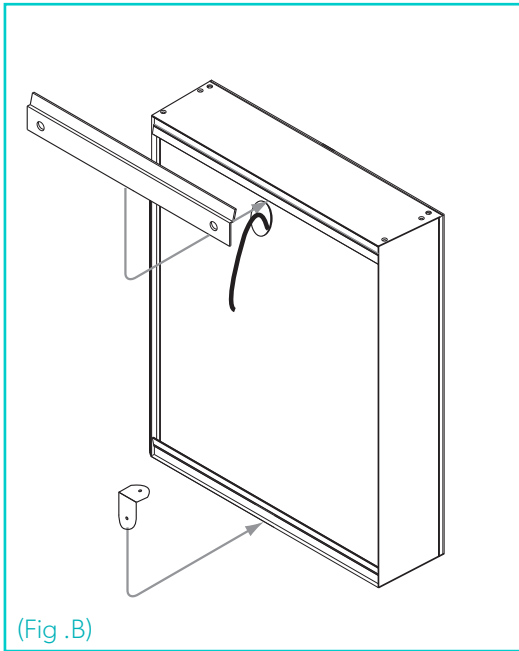
In the unlikely event that this product should fail please contact HiB customer services, contact detail shown on the back page.



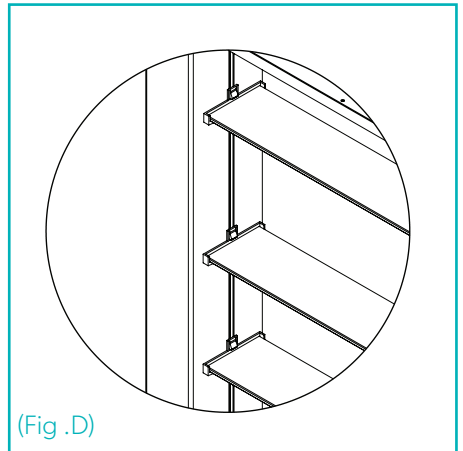
(Fig .A)



(Fig .C)

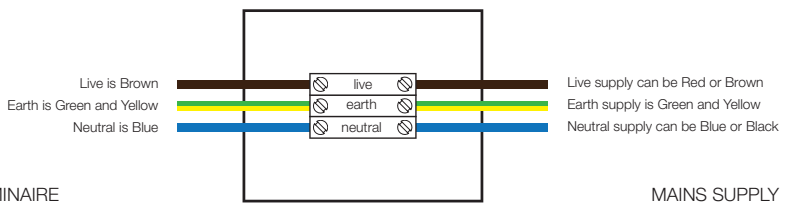


(Fig .B)



(Fig .D)

Wiring Diagram (Fig E)





(Fig 1)

This product is suitable for installation in zones: 2 & Outside Zones

All installations must comply with guidelines which are based on a zonal concept. The diagram above illustrates this concept and must be followed to ensure the safe installation of electrical appliances in the bathroom. These regulations apply to domestic installations only. Installations must be made in accordance with the current IEE wiring regulations and relevant building regulations. **HiB recommends that all electrical bathroom products should only be fitted by a suitably qualified, Part P registered electrician.**

Electrical Safety Information

HiB recommends that all electrical bathroom products should only be fitted by a suitably qualified, Part P registered electrician in accordance with current IEE regulations. Ensure mains power supply is switched off before starting installation. Before drilling, ensure there are no hidden cables or pipes in the wall.

This product contains a light source of energy efficiency class E



WEEE compliance

Must not be mixed with general household waste

T: +44 (0)20 8441 0352 F: +44 (0)20 8441 0219 E: sales@hib.co.uk hib.co.uk

Building 3, North London Business Park, Oakleigh Road South, New Southgate, London. N11 1GN

©HiB Copyright: No part of this document may be reprinted or duplicated without HiB consent. All sizes and measurements are approximate, but we do try and make sure they are as accurate as possible. In the interest of continuous product development, HiB reserves the right to alter specifications as necessary. E & OE.