

HiB

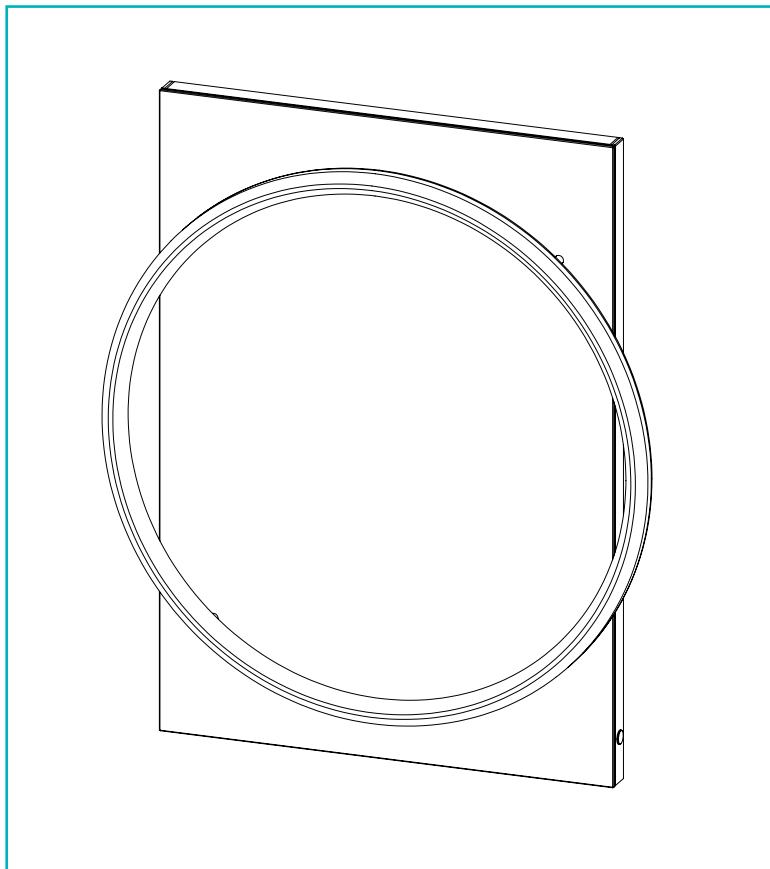
MAKING
BATHROOMS
BEAUTIFUL

SOLAS

Solas 50-CHRM: Art No 79510500 / Solas 50-BLK: Art No 79520500

Solas 50-BBR: Art No 79530500 / Solas 60-CHRM Art No 79510600

Solas 60-BLK: Art No 79520600 / Solas 60-BBR: Art No 79530600



Thank you for purchasing this HiB product.

Please read through these instructions carefully and refer back to them during installation to ensure that your product is fitted safely and that it retains its high quality finish.

Electrical Safety Information

HiB recommends that all electrical bathroom products must be installed in accordance with current building and wiring regulations.

If in doubt please contact an electrician.

Before drilling ensure that there are no hidden cables or pipes in the wall.

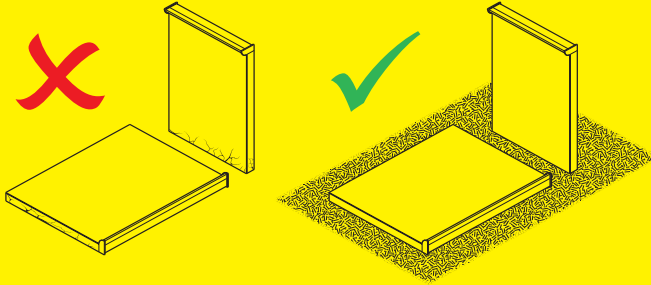
Warnings for Safe Use

- This product is intended for Domestic Use only
- Please read the instructions and warnings carefully before installing the product and ensure this document is kept with the product for future reference to ensure product longevity and in the interest of safety.
- If you give the product to another person, please give them this manual as well.
- If any modification is made it will invalidate the warranty and may render the product unsafe.
- This product is IP44 rated and suitable for installation in Zones 2 and Outside Zone according to the IEEE regulations.
- It is not suitable for use in saunas, steam rooms and shower cubicles.
- Appropriate circuit protection should be available for the product.
- When drilling use appropriate eye protection.
- The use of a Residual Current Device (RCD) is advised for any power tools used during the installation of this product.
- Take suitable precautions when handling glass.
- Do not use if glass is broken or unsafe.
- Beware of hidden cables or pipes. Take care if drilling on tiled surfaces in case the drill slips.
- Always switch off the electrical supply to the product at the mains during installation and maintenance.
- It is recommended that this product is installed by a person who is able to meet the level of competence required in order to comply with relevant regulations. If in doubt consult a qualified tradesperson.
- Do not enter IP44 box unless competent and item is isolated from mains.
- Do not use if any electrical wires appear damaged or degraded.
- This product is designed for installation into a brick or masonry block wall, if mounting onto other substrate ensure appropriate fixing and batons (if required) are used and the load bearing of the wall is sufficient.
- It is recommended that this product is installed by two people.
- Avoid leaving excessive standing and surface water on the product for prolonged periods of time.
- Dispose of packaging in accordance to local authority regulations.
- At end of life dispose of item according to local authority regulations.

CAUTION

We recommend that you place this mirror on a soft flat surface to ensure no breakages. We also recommend that you leave corner protectors on until final fitting.

Do not lift this product via the illuminated frame



Electrical Information

This product contains a light source of energy efficiency class **E**



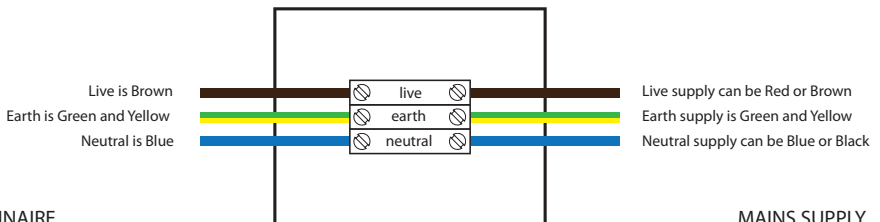
Fig 1. - Zonal Diagram

All installations must comply with guidelines which are based on a zonal concept and must be followed to ensure the safe installation of electrical appliances in the bathroom.

These regulations apply to domestic installations only. Installations must be made in accordance with the current IEE wiring regulations and relevant building regulations.

This product is IP44 rated and is suitable for installation in zones: **2 & Outside Zone**

Wiring Diagram



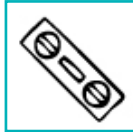
What's in the Box?

- Solas Mirror
- Fittings pack

Tools Required



Pencil



Spirit Level



Drill



Drill bit



Screwdriver

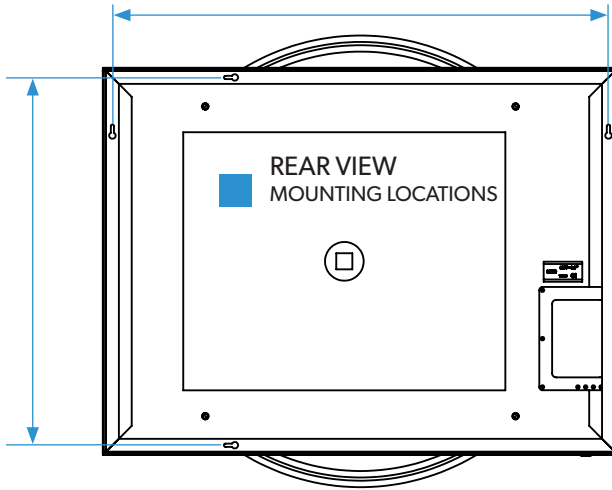


Fig 2. - Mounting points

SOLAS mirrors must be installed with a minimum distance of 150mm between the infra-red sensor switch and any adjacent wall or object to ensure correct operation of the sensor.

It is recommended that this product is installed by two people.

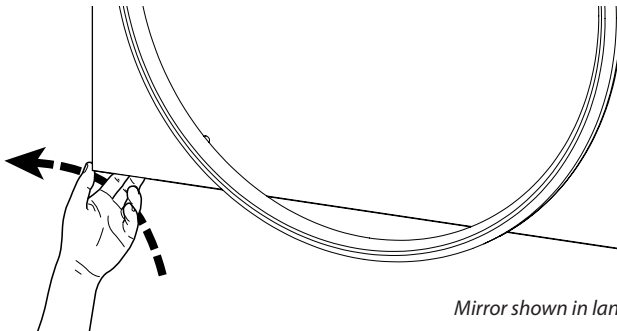
1. Position the mirror in a suitable location (according to the zonal diagram - Fig. 1), ensuring that the domestic electrical mains supply is within reach of the electrical entry point of the product.
2. Carefully mark the position of the mirror using a soft pencil ensuring it is level. Remove the mirror and mark the mounting points, *see Fig. 2*. **Please ensure that all marked mounting points accurately match up with the fixing points on the mirror.**
3. Using a suitable drill bit, drill holes in the marked positions to a suitable depth. If drilling through tile, use a ceramic drillbit.
4. Insert wall plugs level with the surface of the wall. If fitting to a tiled surface, wall plugs should be inserted below the tile surface to avoid cracking. *NB. For plasterboard walls, specialist fixings should be purchased, available from any DIY or hardware store.*
5. Screw supplied fixings into wall plugs.
6. **Ensure the domestic electrical mains supply to which the mirror is being connected is turned off.** Connect the domestic mains supply to the terminal box according to the wiring diagram, *see page 3*.
7. Hang the mirror in position.
8. Switch the domestic electrical mains supply for the mirror back on.

Operation

This mirror is fitted with colour temperature changing technology and heated pad

To switch on/off

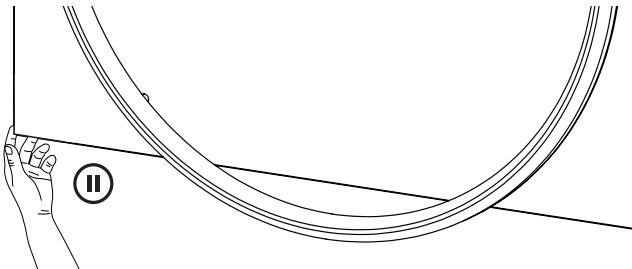
1. Slowly move your hand past the sensor to turn the mirror on.
2. Slowly move your hand past the sensor again to turn the mirror off.
3. Heated pad is on when the mirror is on.



Mirror shown in landscape orientation

To change the colour temperature

1. To alter the colour temperature of the mirror, hold your hand underneath the sensor and the colour temperature will start to change.
2. Simply move your hand away from the sensor when the desired colour temperature has been reached and continue to operate the mirror as normal.
3. The chosen colour temperature will remain set even after power is switched off and on again.



Mirror shown in landscape orientation

Care

To preserve the high quality finish of your HiB product, please ensure you regard the following care and cleaning recommendations:

- Clean the product with water and a soft cloth, a mild detergent may be used if required.
- Ensure any excess moisture is removed after use.
- **Do not use** abrasive sponges or cleaning agents.
- Avoid leaving excessive standing and surface water on the product for prolonged periods of time.

Aftercare

In the unlikely event that this product should fail please contact the retailer from which the item was purchased.



WEEE compliance

Must not be mixed with
general household waste

T: +44 (0)20 8441 0352 F: +44 (0)20 8441 0219 E: sales@hib.co.uk hib.co.uk

Building 3, North London Business Park, Oakleigh Road South, New Southgate, London. N11 1GN

©HiB Copyright: No part of this document may be reprinted or duplicated without HiB consent. All sizes and measurements are approximate, but we do try and make sure they are as accurate as possible. In the interest of continuous product development, HiB reserves the right to alter specifications as necessary. E & OE.