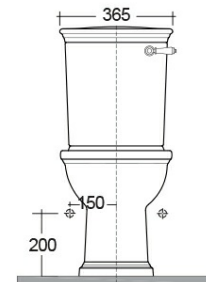
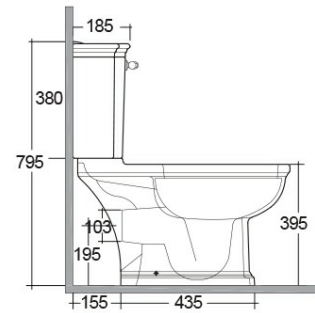
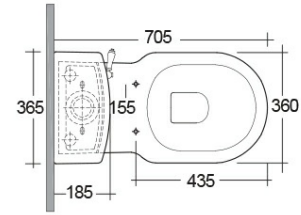


RAK-WASHINGTON - WT11AWHA - WITH LEVER

Syphonic | Close Coupled | Water Closet

RAK
CERAMICS



Technical specifications

Dimensions: 705 x 360 mm

Weight: 36 Kg

Color: Alpine White

Trap type: S Trap

Trapway type: P trap

Seat cover options: PP

Bowl shape: Oval

Flush Type: Dual Flush

Suites: [RAK-WASHINGTON](#)

Code	Name
JM05DSCQRAWHA	RAK-Washington ABS Seat Cover
WTSC3901500	RAK-Washington Lacquered Polyester Seat Cover (500)
WTSC3901503	RAK-Washington Lacquered Polyester Seat Cover (503)
WTSC3901504	RAK-Washington Lacquered Polyester Seat Cover (504)
WTSC3901505	RAK-Washington Lacquered Polyester Seat Cover (505)
WTSC3901514	RAK-Washington Lacquered Polyester Seat Cover (514)
WT11AWHA	WASHINGTON WATER CLOSET CLOSE COUPLED P-TRAP 70CM
WT22AWHA	WATER TANK WITH FRONT LIVER

Dimensions: All dimensions in mm. Tolerance of vitreous china & fireclay items: $\pm 5\%$ for below 200mm and $\pm 3\%$ for above 200mm; for all other items tolerance $\pm 1\%$. Note: Due to a continuing development program to improve design and performance, the manufacturer reserves all rights to vary specifications without prior information. Please note accessories are for photographic use only.