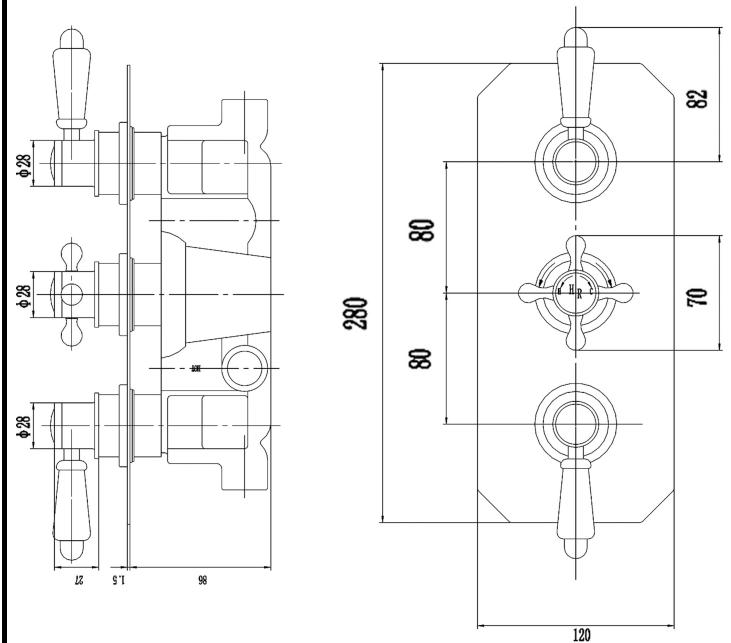
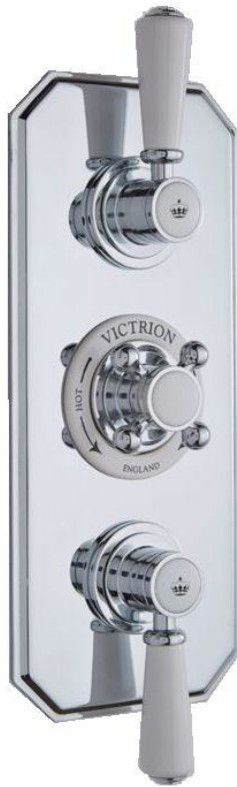


## CUSTOMER SPECIFICATION SHEET - SHOWERS

SALES CODE: CSA030

DESCRIPTION: Victrion Triple Concealed Shower Valve



### PRODUCT DIMENSIONS

Length (mm)	Width (mm)	Height (mm)	Depth (mm)	Nett Wgt Kg
	120	320	135	3

### PACKAGING DIMENSIONS

Length (mm)	Width (mm)	Depth (mm)	Gross Wgt Kg
320	250	110	3.4

### PACKAGING DATA

Box Colour	White Cardboard Box		
Box Qty	1	Label Colour	White Label
Label Size	100 X 50	Label Qty	1

### OUTER BOX DIMENSIONS (If Applicable)

Length (mm)	Width (mm)	Height (mm)	Depth (mm)	Gross Wgt Kg
Barcode				

### PRODUCT DETAILS

Country of Origin	
Fitting Instruction	Yes
Product Material	Brass
Mount Type	Wall
Outlet Elbow Supplied	Not Applicable
Easy Clean	Not Applicable
Head Included	No
Handset Included	No
Body Jets Included	Not Applicable
No of Body Jets	Not Applicable
Operating Pressure (bar)	0.1
Valve/Cartridge Type	1/4 Turn Ceramic Disc

Flow Rates (L/min)	0.1 bar	N/A	0.5 bar	13	1 bar	17	2 bar	24	3 bar	27
TMV2 Approved	Yes		Approval No.		Bc947/1211					
TMV3 Approved	Yes		Approval No.		Bc1119/1212					
WRAS Approved	Yes		Approval No.		N/A					
Head Function	Not Applicable									
Handset Function	Not Applicable									
Body Jet Info	Not Applicable									
Pipe Size	22 mm (3/4" Bsp)									
Pipe Centres	150mm									
Colour/Finish	Chrome									
Hose Included	Not Applicable									