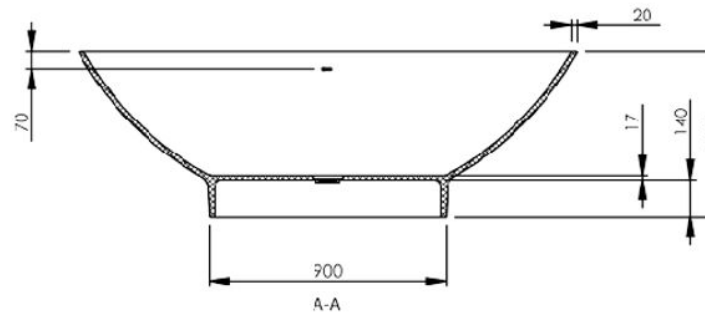
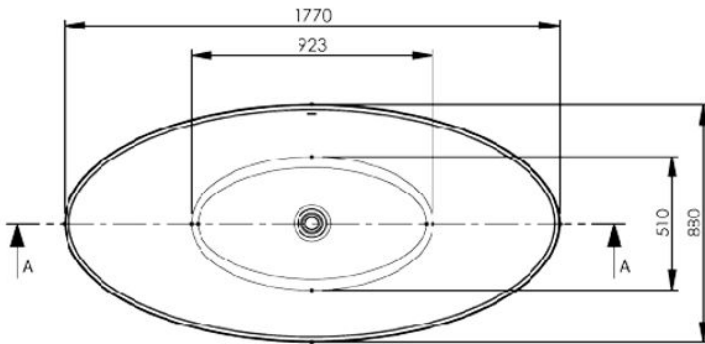


CUSTOMER DATA SHEET - BATHS

SALES CODE: BAB010

DESCRIPTION: TASSE FREESTANDING BATH



PRODUCT DIMENSIONS

Length (mm)	Width (mm)	Depth (mm)	Nett Wgt Kg
1770	880	555	86

PACKAGING DIMENSIONS

Length (mm)	Width (mm)	Depth (mm)	Gross Wgt Kg
XXX	XXX	XXX	XXX

PACKAGING DATA

Box Colour	Brown Cardboard Box		
Box Qty	1	Label Colour	White Label
Label Size	100 X 50	Label Qty	1

OUTER BOX DIMENSIONS (If Applicable)

Length (mm)	Width (mm)	Height (mm)	Gross Wgt Kg
Barcode			

PRODUCT DETAILS

Country of Origin	South Africa	Certification	FSC	No	CE	No
Fitting Instruction	Yes	Material Colour Ref	European White			
Product Material	Cian	Material Thickness	xxx			
Volume (Ltr)	180	Displaced Capacity	xxx			
Leg Set Inc'	Leg Set Not Included	Waste Inc'	Waste NOT Included			
Drilled/Undrilled	Undrilled For Taps	Includes Grips	No Grips Supplied			
Embossed	No	No of Tapholes	None			
Anti-Slip	No					