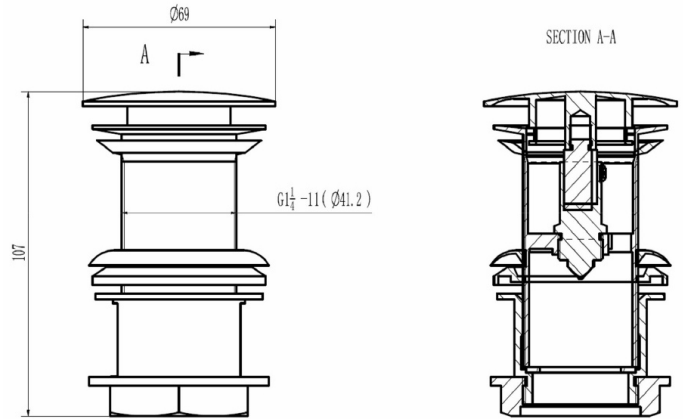


CUSTOMER SPECIFICATION SHEET - WASTES & EXTRAS

CODE: WAS220

DESCRIPTION: Push Down Basin Waste Chrome

CATEGORY: Wastes & Extras



PRODUCT DIMENSIONS

Height (mm)	Width (mm)	Length (mm)	Depth (mm)	Nett Wgt Kg

PACKAGING DIMENSIONS

Height (mm)	Width (mm)	Depth (mm)	Gross Wgt Kg
120	75	75	0.5

PACKAGING DATA

Box Colour	White Cardboard Box		
Box Qty	1	Label Colour	White Label
Label Size	100 x 50	Label Qty	2

OUTER BOX DIMENSIONS (If Applicable)

Height (mm)	Width (mm)	Length (mm)	Depth (mm)	Gross Wgt Kg
Barcode				

PRODUCT DETAILS

Country of Origin	United Kingdom	CE Certification	N/A
Fitting Instruction	No	Colour/Finish	Chrome
Product Material	Brass	Product Diameter	
Heating Element Wattage	Not Applicable	Connection Size	