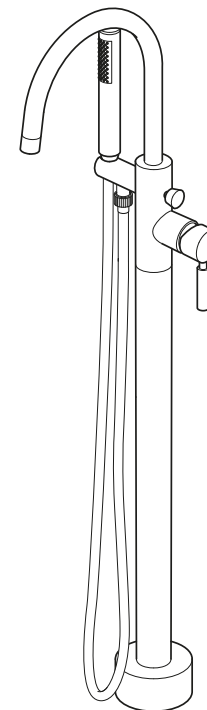




INDIVIDUAL
by VADO



ORIGINS

Floor standing bath shower mixer + shower kit

—

INSTALLATION GUIDE

VADO
Wedmore Road, Cheddar,
Somerset, England BS27 3EB
tel 01934 744466
fax 01934 744345
www.vado.com
sales@vado.com

Version 2, 1-3-21

INDIVIDUAL
by VADO

Important - please read

Please read these instructions carefully before starting installation and keep for future reference.

Remove all packaging and check the product for missing parts or damage before starting installation.

Any alterations made to this product and fittings may infringe water regulations and will invalidate the guarantee.

The installation must comply with all Local/National Water Supply Authority Regulations/Byelaws and Building and Plumbing Regulations.

To be installed in accordance with BS EN806.

We strongly recommend that you use a qualified and registered plumber.

General installation

This fitting is a mixing device and therefore water supplies should be reasonably balanced.

When installed, the fitting must comply with the requirements of the Water Supply (Water Fittings) Regulations 1999 and Scottish Byelaws 2004.

For further information, contact the Water Regulations department of your local water supplier (see the WRAS website www.wras.co.uk for details) or the Water Regulations Advisory Scheme by email (info@wras.co.uk) or telephone: 01495848454.

Before making any inlet pipe connections, all supply pipes MUST be thoroughly flushed to remove debris. Failure to do so could result in damage or low flow from the mixer unit.

The fitting of isolating valves to the inlet feeds is advised for ease of maintenance.

Please take great care when installing this mixer not to damage its surface.

Please note if installing in an enclosed environment, access should be left for servicing and maintenance. No costs relating to inadequate access can be accepted.

Operating Specifications

Operating Pressure

Minimum operating pressure 1 bar

Maximum operating pressure 5 bar

Installation - shower

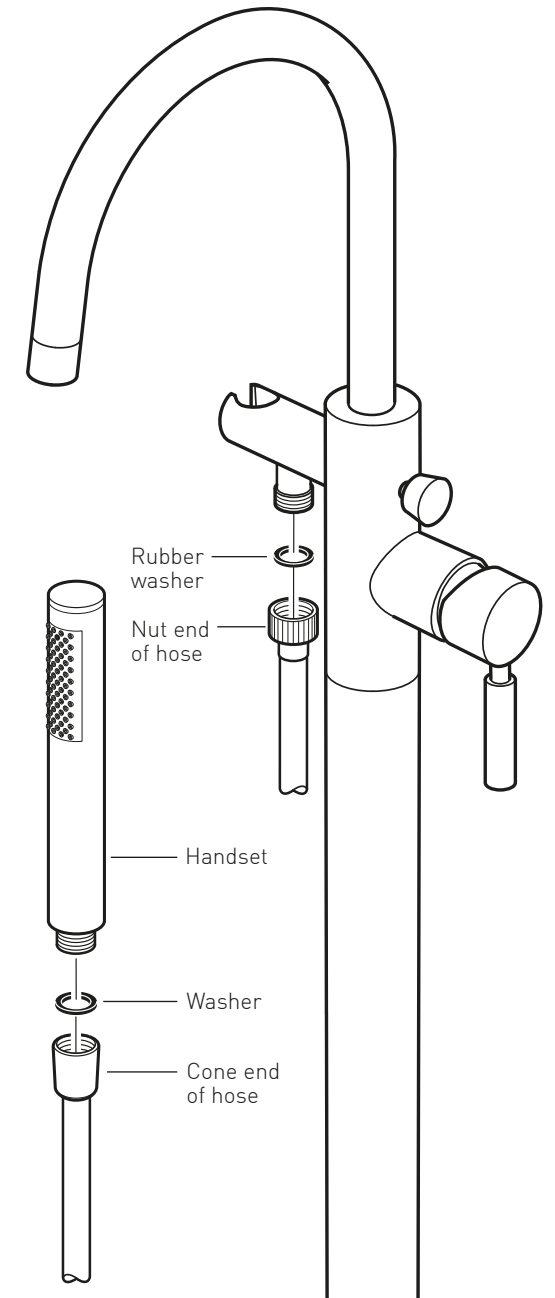
Handset

Place one of the rubber washer into the cone end of the hose and screw to the handset.

Place the cone into the bracket

Outlet

Place the second rubber washer into the nut end of the hose and attach it to the mixer outlet.

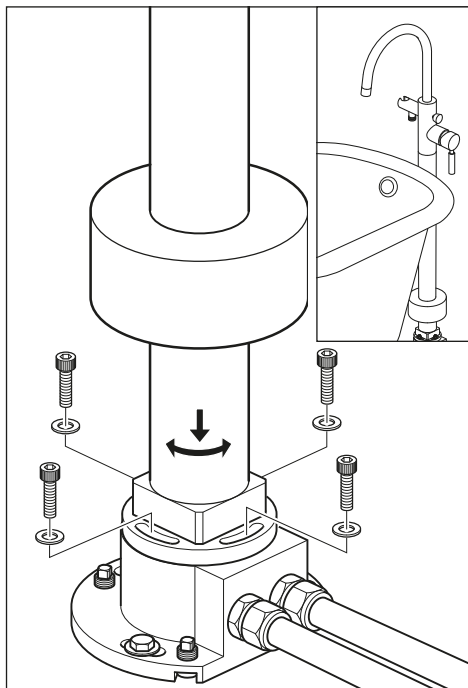


Installation

Carefully place the base connection onto the base making sure not to damage the seals on the base connection.

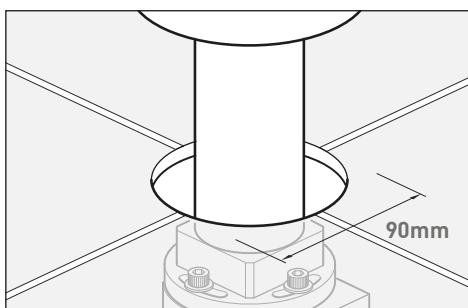
Rotate the tap/upstand until the outlet is in the desired position.

When satisfied, secure using the x 4 supplied cap screws and washers.



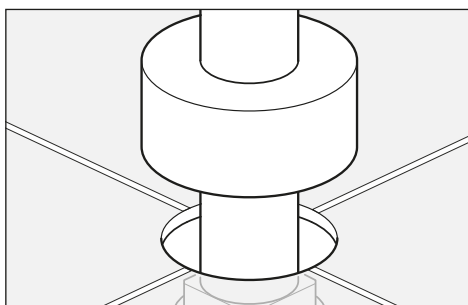
Finish the floor covering down to a dimension of 90mm diameter.

Keep the tap/upstand protected while the floor is being completed.

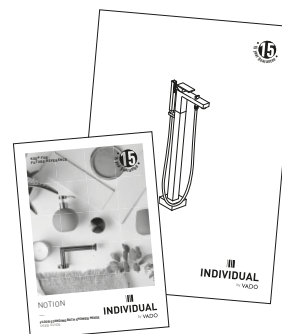


Slide the shroud down until it makes connect with the floor.

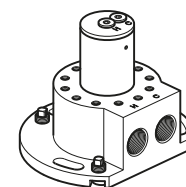
⚠ Be sure to keep the shroud level, and lower both sides equally.



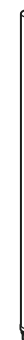
Contents of Packaging



Installation guide & User manual



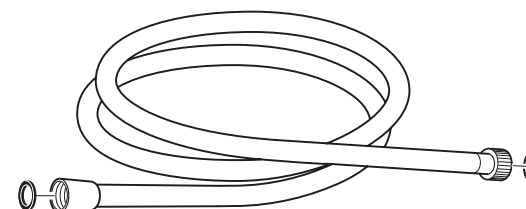
Base connection



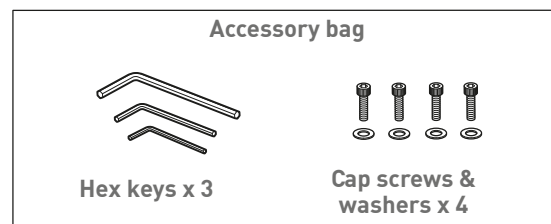
Drain pipe



Handset

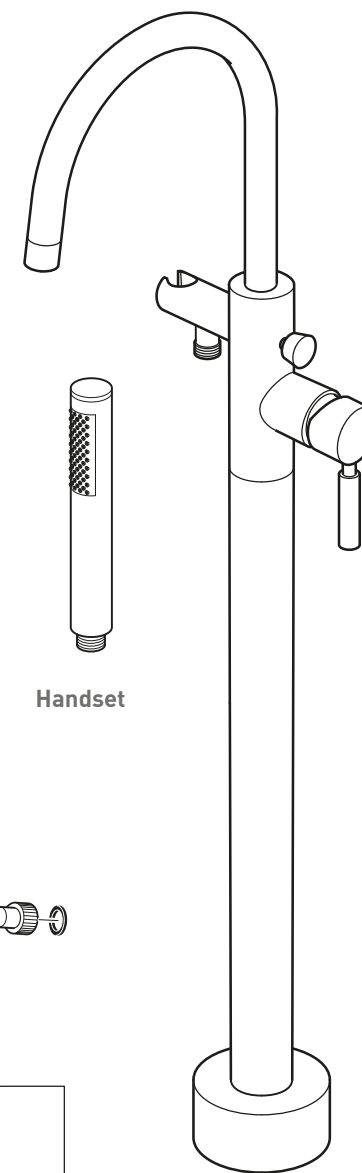


Shower hose



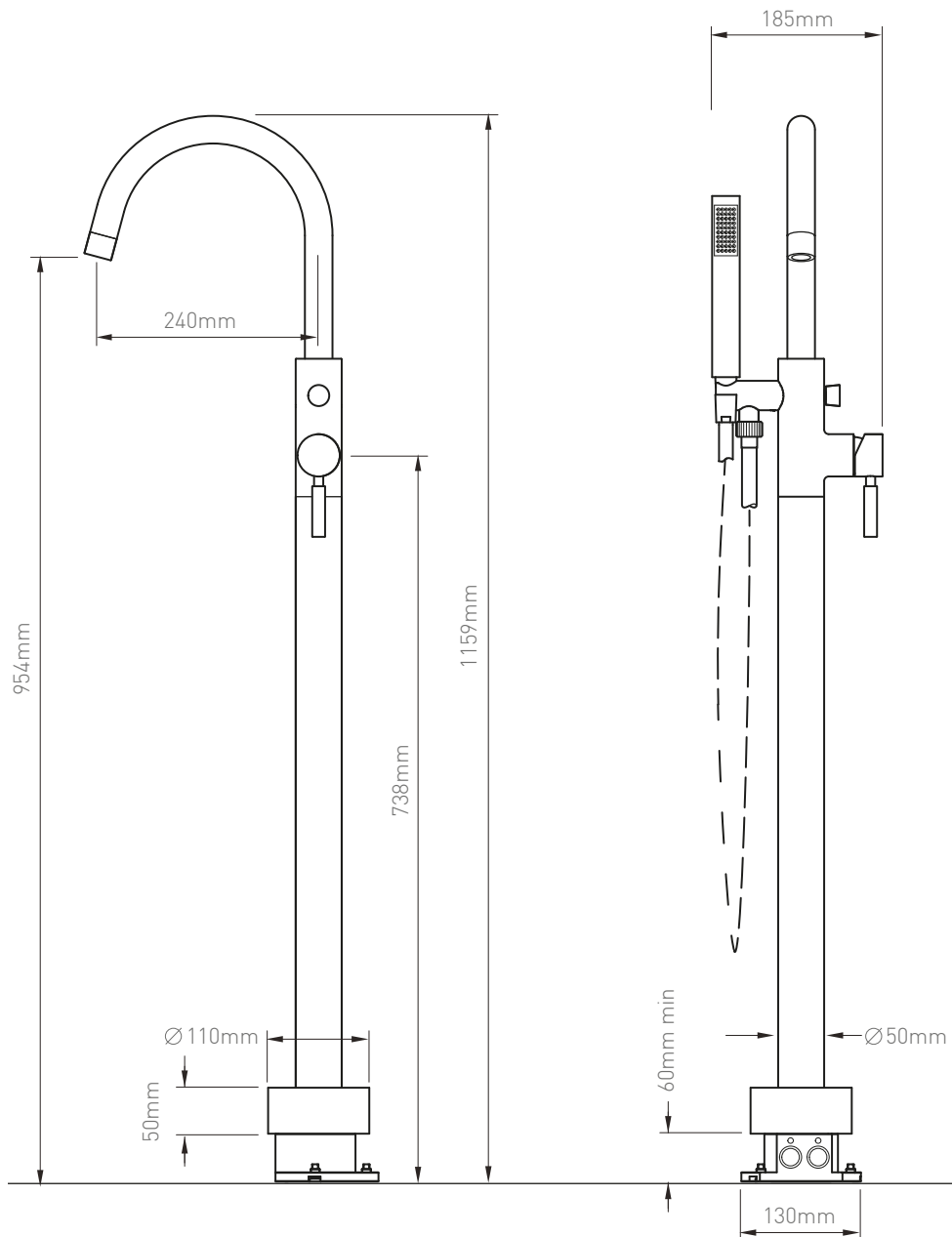
Hex keys x 3

Cap screws & washers x 4



Tap/upstand

Valve dimensions

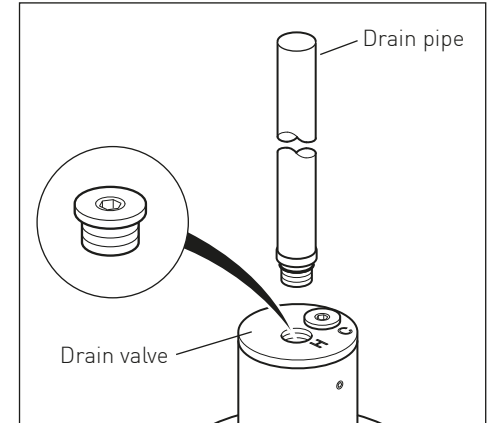


Installation

Using a hex key remove the blanking plug from the hot port of the drain valve.

Screw on the drain pipe.

We recommend to push a speedfit connector (not supplied) on the end of the drain pipe, and a bucket to catch the water.

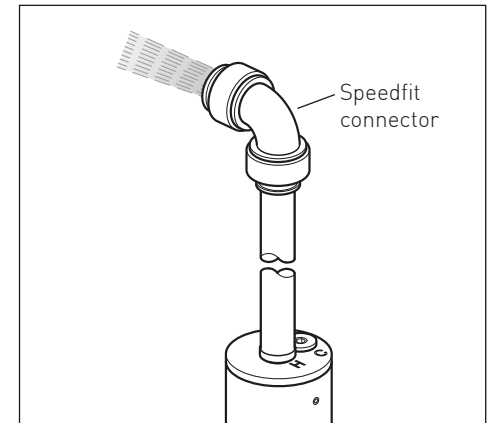


Turn on at the mains, and allow the debris and water to drain.

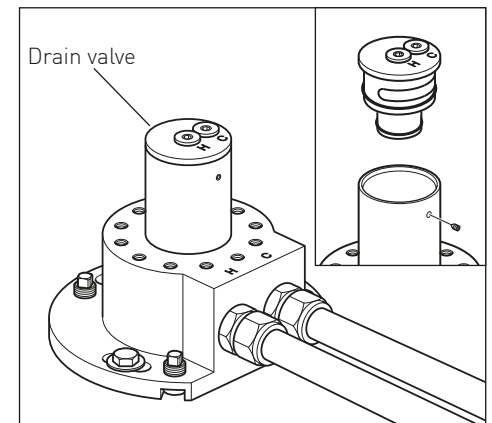
Turn off the water.

Remove the drain pipe, refit the blanking plug.

Repeat the same procedure for the cold port.



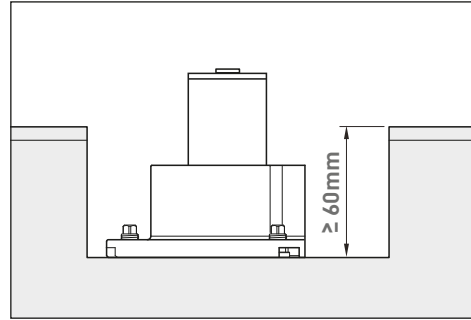
Remove the grub screw and pull the drain valve out of the base.



Installation

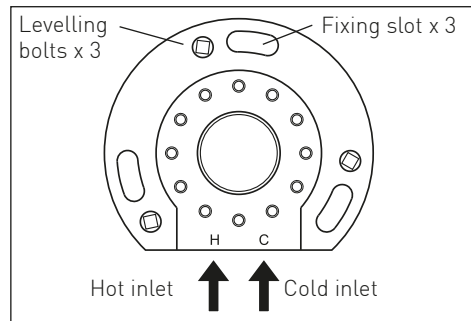
Warning! Please check for any hidden cables and pipes before drilling holes.

The base must be recessed below the final floor level by at least 60mm.



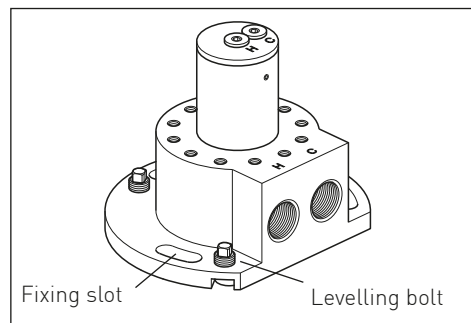
There are 3 fixing positions and 3 levelling bolts.

Use suitable fixings (not supplied) for your substrate e.g. expansion bolts for concrete, or coach screws for wood.



Position the base in the desired location, mark the 3 fixing holes. Remove the base and drill the 3 x holes to the required diameter and depth to suit your fixings.

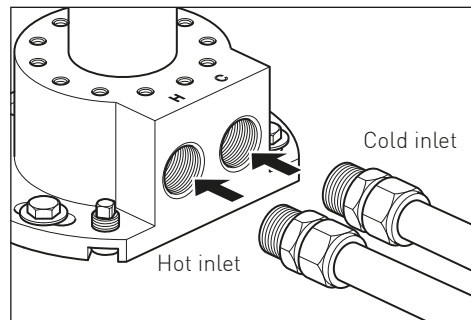
Fit the base in position, but do not tighten. Use the adjusting screws to level the seat, when satisfied with the level, finally tighten the fixings.



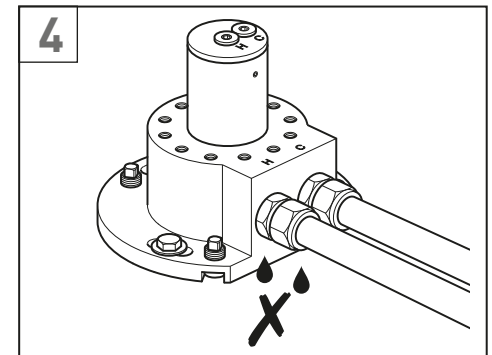
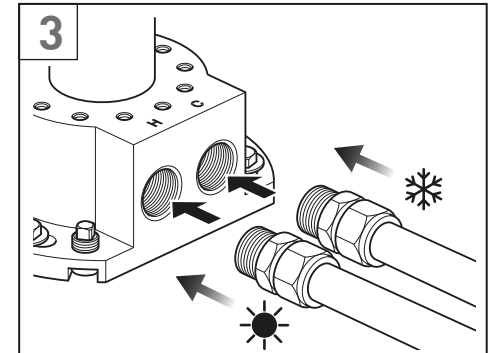
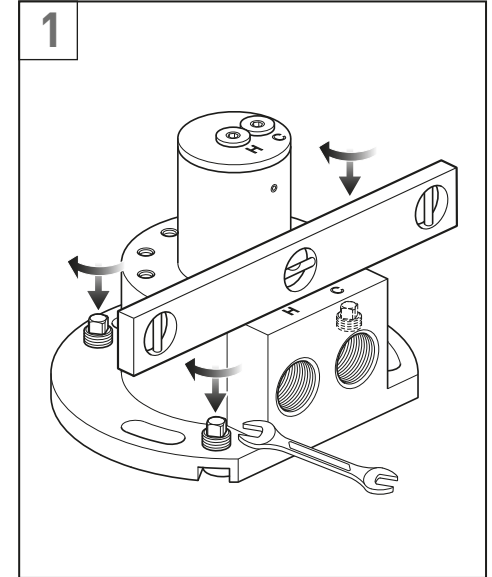
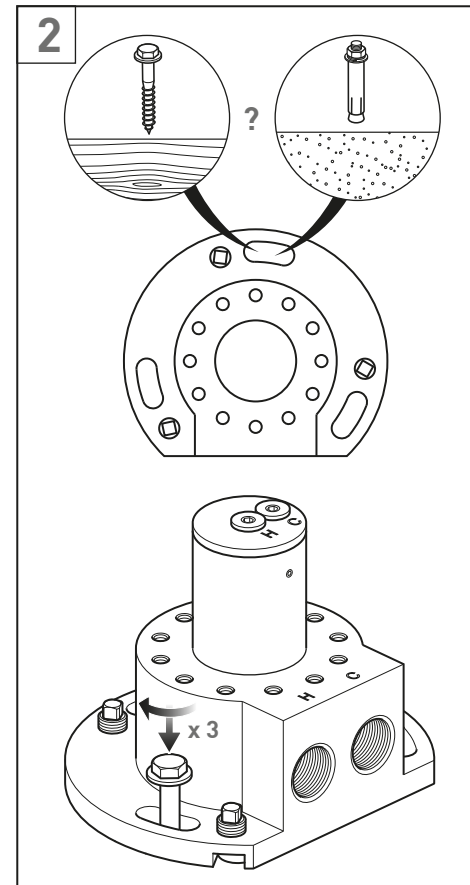
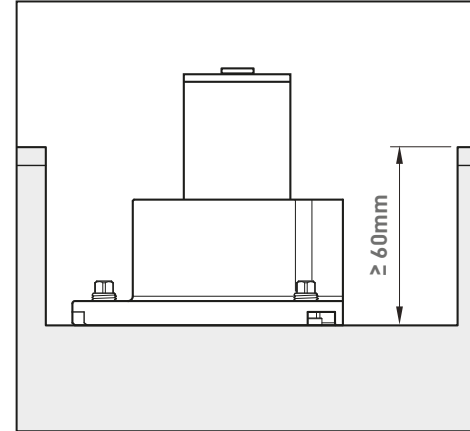
Connect the hot and cold supplies to the base. The hot should be fixed to the outlet marked **H** and the cold fixed to **C**.

Turn on the water and check for any leaks in the pipe work.

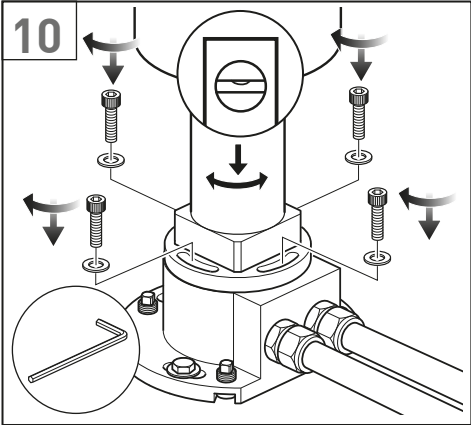
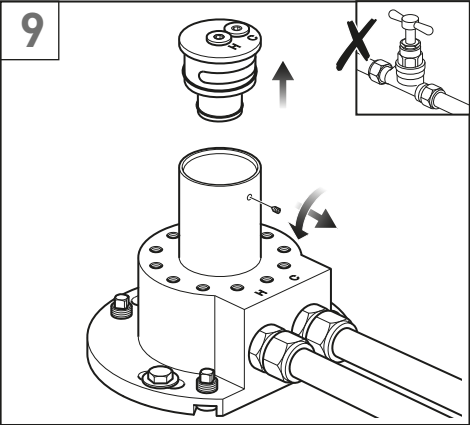
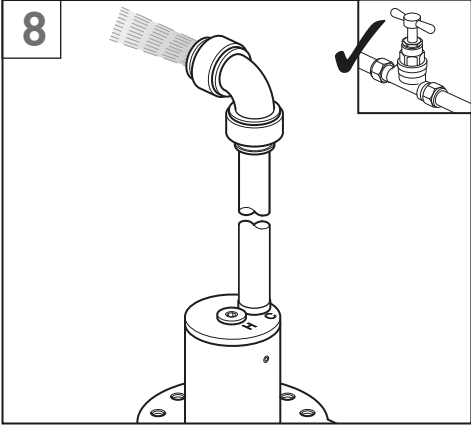
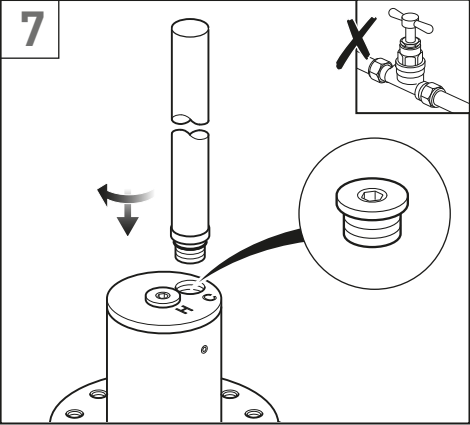
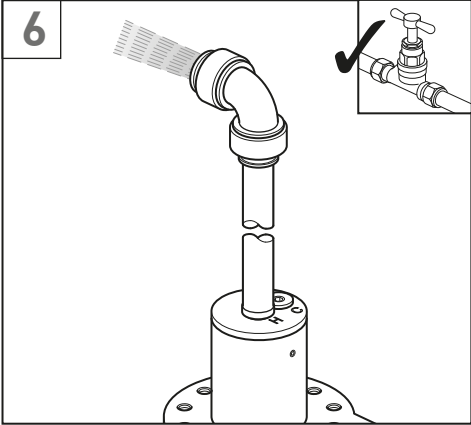
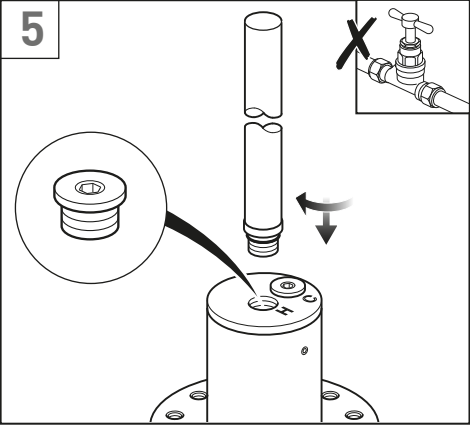
Turn off the water supply.



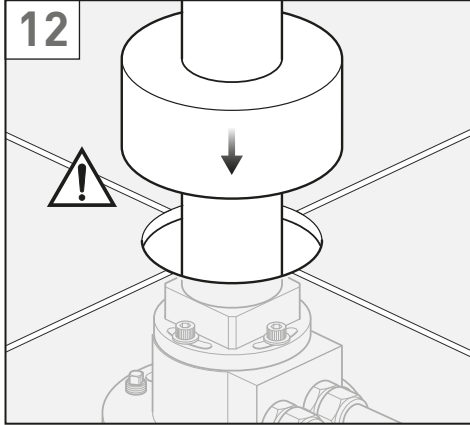
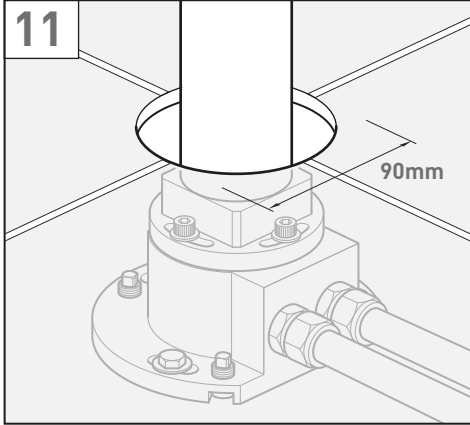
Installation - Quick guide



Installation - Quick guide



Installation - Quick guide



Guarantee

All VADO products come with a 2 year guarantee as standard. Within this guarantee period VADO will provide replacement parts and any labour **[SEE NOTE 1]** needed to complete the product repair.

This standard guarantee may be extended by registering your product to give the following guarantee periods, once registered:

Brassware products from the Individual by VADO collection have a 15 year guarantee (2 years parts and labour plus 13 years parts only).

VADO Sensori SmartTouch and SmartDial products have a 5 year guarantee (parts and labour). VADO Identity and i-tech products have a 5 year guarantee (2 year parts and labour plus 3 years parts only).

All other VADO products have a 3 year guarantee (2 years parts and labour plus 1 year parts only)

[SEE NOTE 2].

Guarantee Conditions

Our products are guaranteed against manufacturing defects from the date of purchase until the expiry of the relevant guarantee period shown above.

The guarantee is only valid if:

- The product has been installed, used and maintained in accordance with VADO's instructions and subjected to normal use only.
- The defect is not due to use of an unsuitable or inadequate water or power supply.
- The defect is not due to accident, misuse, neglect or incorrect/inappropriate repair (other than by VADO or VADO authorised agents) or damage caused by foreign objects or substances.
- The extended guarantee is only available if you have completed the Guarantee Registration Process.

This can be done via the VADO website or via phone to our aftersales team.

Registration must be completed within 6 months from date of purchase.

Under the extended guarantee period VADO will, at its option, offer to supply any replacement product (or component part) assessed to be defective **[SEE NOTE 3]**.

The guarantee (whether standard or extended) is non-transferable to any subsequent owner.

All claims under the guarantee should be notified in the first instance to our Aftersales department, contact details below, this must be done no later than the last day of the relevant guarantee period.

All claims must be accompanied by proof of purchase (sales receipt or delivery note) from an official VADO dealer.

The guarantee does not extend to any consequential loss or damage.

After repair or replacement, the relevant guarantee period will be calculated from the original date of purchase.

VADO operates a policy of continuous product development and therefore reserves the right to change the product, packaging and documentation specifications without notice. E&OE.

NOTES:

[1] Labour via our engineer network is only available in the UK. Attendance by a VADO engineer or sub-contract engineer will be under our standard terms and conditions.

[2] VADO spare parts and shower hoses are under a parts only guarantee.

[3] VADO reserves the right to charge in advance for a product (or replacement part) pending collection and investigation (at VADO expense) to confirm a defect is due to a manufacturing issue.

If a defect is found the charge will be refunded or cancelled.

This guarantee is in addition to and does not affect your statutory rights as a consumer.

Tel: 01934 745163

Email: aftersales@vado.com



ORIGINS

—

FLOOR STANDING BATH SHOWER MIXER
USER GUIDE



INDIVIDUAL

by VADO

Welcome

Thank you for selecting Individual by VADO.

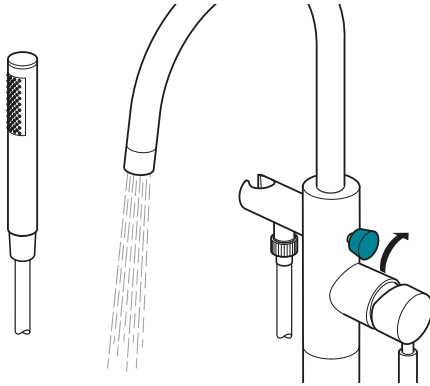
Each timeless finish has been tailored to inspire your individual style, ready for you to create a contemporary look that will stand the test of time.

Coupled with our leading 15 year guarantee, this premium product has passed through stringent quality assurance processes to allow you to complete your look with confidence.

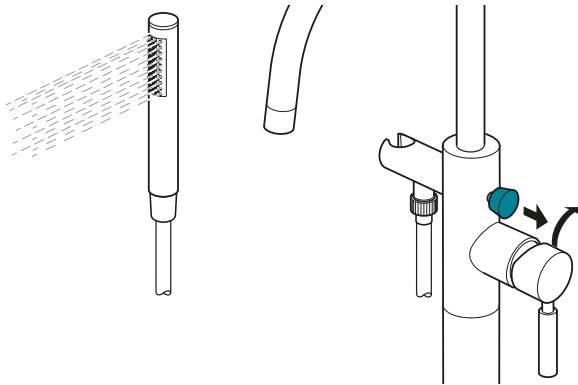
Our outstanding customer service, large scale development support and prestigious project history has ensured a globally trusted reputation. For any technical or operation queries, please contact our experienced Aftersales team on 01934 745 163.

Notes:

Operation



Pull out the diverter handle and turn clockwise to lock into position.

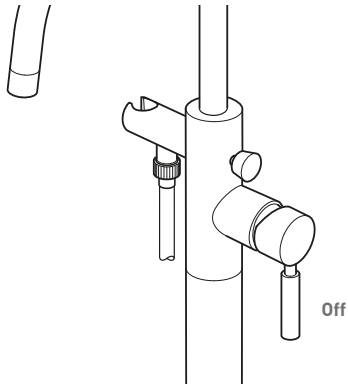


Turn clockwise again to release the diverter and go back to the primary outlet.

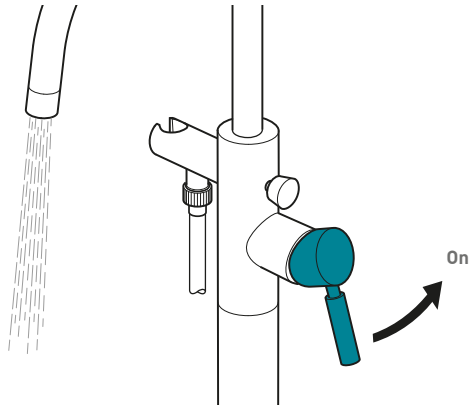
Cleaning instructions:

The physical vapor deposition coating on this product is finished to the highest standard. Due care needs to be taken to ensure the appearance is retained. We recommend cleaning all products with a soft damp cloth ONLY and advise strongly against the use of all aggressive/corrosive cleaning products i.e. powders and liquids. If these instructions are not followed, this may invalidate your guarantee in the event of a problem occurring.

Operation

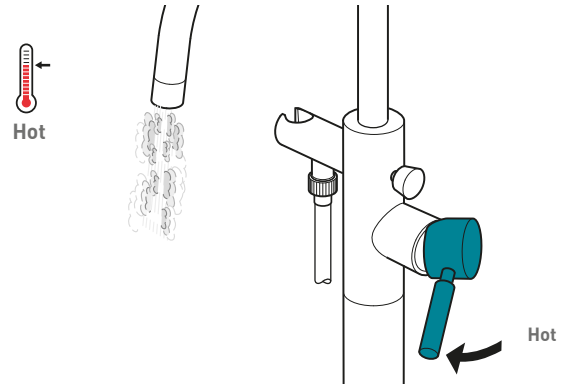


Lever in the Off position

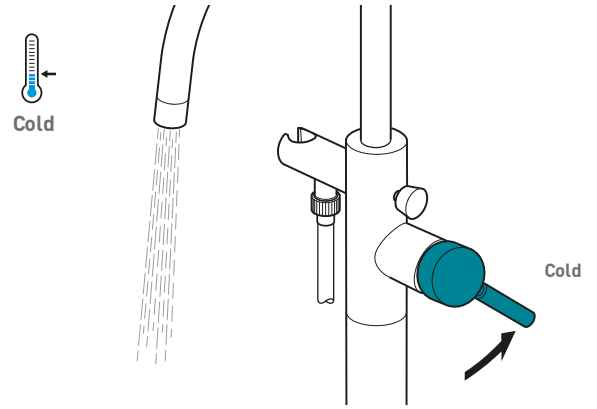


Lifting the mixer lever upwards will increase the flow of water.

Operation



Moving the mixer lever to the left will increase the water temperature.



Moving the mixer lever to the right will decrease the water temperature.