

Measurements in millimetres mm

Information updated July 2020

Tel 0345 873 8840



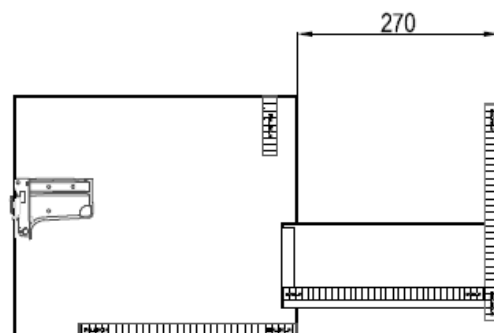
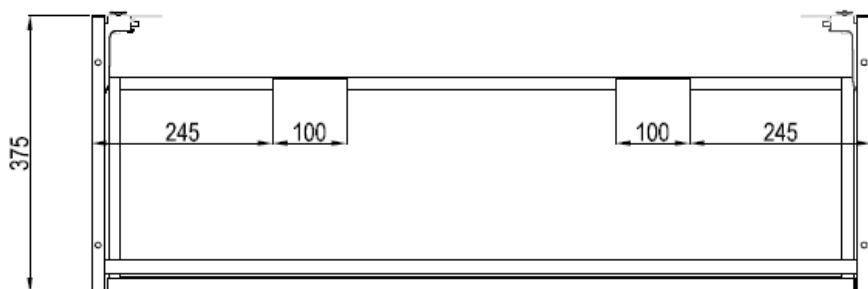
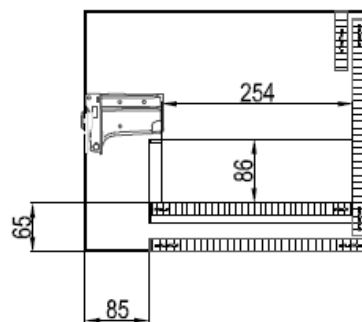
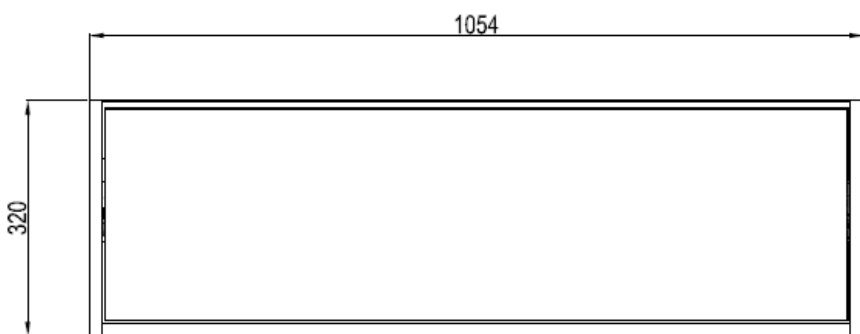
## ARENA 1000mm FURNITURE

Universal for right and left hand basins

### Left hand basin



### Right hand basin



Measurements in millimetres mm

Information updated July 2020

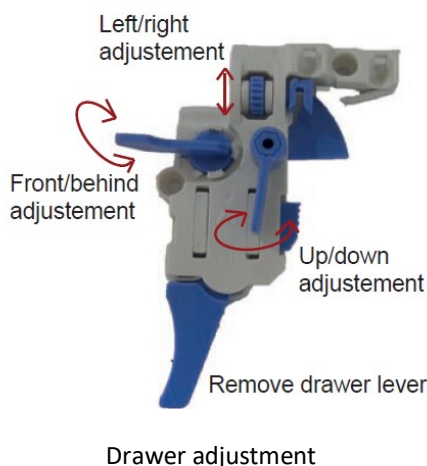
Tel 0345 873 8840

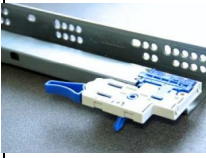
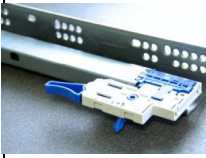



## ARENA 1000mm FURNITURE

Universal for right and left hand basins

TECHNICAL DATA		SPECIFICATION	
<b>CODE No UNIT</b>	AN10032DXX	<b>Installation Information:</b>	The intended installation wall needs to be strong enough for the weight of the furniture and basin. Wall fixings for solid walls included.
<b>Required Basins</b>	AN1010SCW_RH and AN1010SCW_LH - No tap hole AN1011SCW_RH and AN1011SCW_LH - Single tap hole		Laminate finishes tested to ISO 22196
<b>Recommended use:</b>	Domestic, residential		Measurement of antibacterial activity Graded Strong value of anit-bacterial effect A>3
<b>Dimension Unit</b>	w 1054 x d 375 x h 320mm	<b>Furniture Colours:</b>	
<b>Dimension basin</b>	w 1100 x d 375/402 x h 35mm	Pure White Laminate	AN10032DPWG EN622 type 5
<b>Installation:</b>	Wall Hung	Portland Grey Laminate	AN10032DPGM EN622 type 5
<b>Materials:</b>	Carcass and drawer front 18mm Melamine faced board Drawer set 18mm Melmaine faced board	Steel Décor	AN10032DST EN622 type 5
<b>Specification:</b>	Full extension soft close drawers - 30kg weight capacity Anti-tip wall hangers 170Kg capacity	Modern Oak Décor	AN10032DMO EN622 type 5
<b>Weight:</b>	38kg	<b>Handle Colour options:</b>	
<b>Fitting:</b>	Wall hangers integrated into carcass Wall brackets supplied	IF_HANDLEC	Chrome
<b>Required Fitting:</b>	BSW0103WG Click Clack Basin waste with Ceramic Cover	IF_HANDLEBM	Matt Black
<b>Advised Fitting:</b>	Space saving 50mm seal trap BTR0510W	IF_HANDLEF	Brushed Brass effect
<b>Option Accessories:</b>	Handles - see right	IF_HANDLEV	Stainless Steel Effect
<b>Warranty</b>	10 years on furniture, lifetime on ceramic basin		



SPARE PARTS		
CODE No	Description	
<b>RUNNERS_D26S27HR</b>	Pair of Soft Close Drawer Runners Use with AN6000D, AN7000D and AN1000D under basin	
<b>RUNNERS_D26S30HR</b>	Pair of Soft Close Drawer Runners AN1000D under worktop	
<b>WB63450050ZN</b>	Wall brackets set for Arena Furniture	

ARENA 1000mm Basin LEFT HAND



TECHNICAL DATA

<b>CODE No</b>	AN1011SCW_LH Single tap hole AN1010SCW_LH No tap hole
<b>Compatible with:</b>	AN1000Dxx_LH
<b>Recommended use</b>	Domestic, hotel, residential
<b>Material</b>	Fine Fire Clay
<b>Standards</b>	EN 14688 – CL 0 EN31
<b>Required Fitting:</b>	BSW0103WG Click Clack Basin waste with Ceramic Cover
<b>Colour</b>	White only
<b>Specification</b>	1 centre tap hole or no tap hole Over flow, including chrome overflow cover
<b>Fixing</b>	Wall Mounted/on furniture carcass
<b>Weight</b>	31.6kg
<b>Warranty</b>	15 years

SPECIFICATION

Furniture/Wall hung basin

EN 31/EN 14688 – CL 0

Dimensions w 1100 x d 402 x h 35mm

Special feature: overflow channel glazed

Overflow Colour options:

MPROOVM

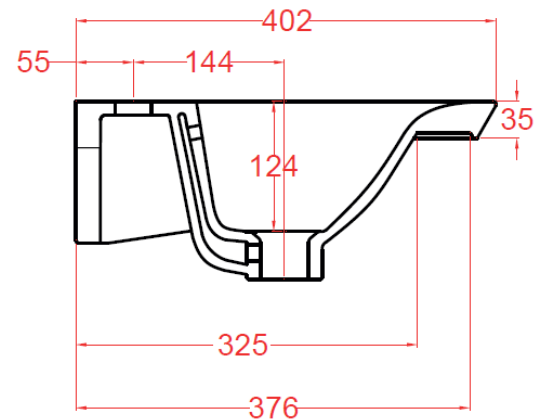
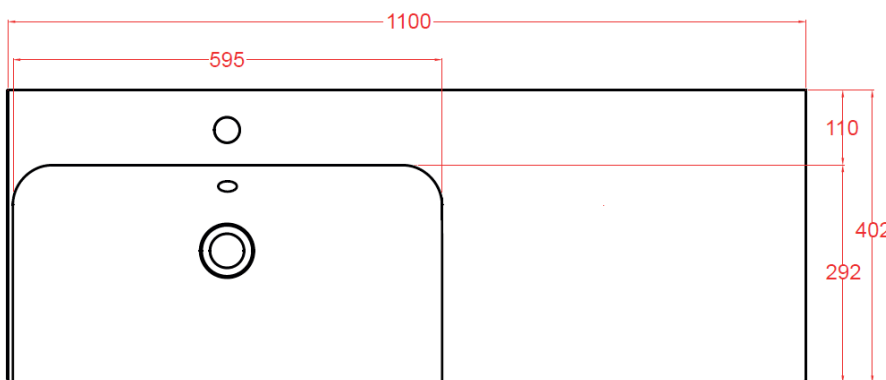
Matt

MPOOVF

Brushed Brass

MPOOVV

Stainless Steel Effect



ARENA 1000mm Basin RIGHT HAND

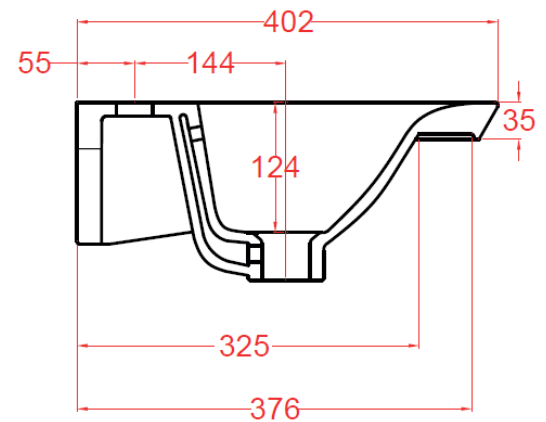
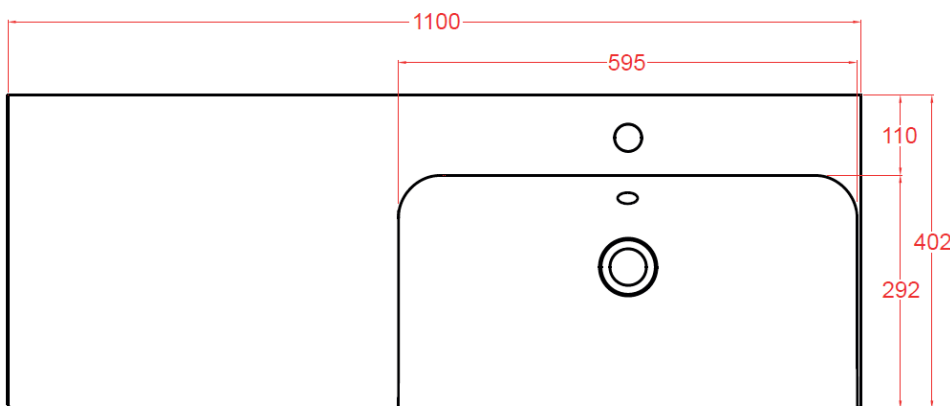


TECHNICAL DATA

<b>CODE No</b>	AN1011SCW_RH Single tap hole AN1010SCW_RH No tap hole
<b>Compatible with:</b>	AN1000Dxx_RH
<b>Recommended use</b>	Domestic, hotel, residential
<b>Material</b>	Fine Fire Clay
<b>Standards</b>	EN 14688 – CL 0 EN31
<b>Required Fitting:</b>	BSW0103WG Click Clack Basin waste with Ceramic Cover
<b>Colour</b>	White only
<b>Specification</b>	1 centre tap hole or no tap hole Over flow, including chrome overflow cover
<b>Fixing</b>	Wall Mounted/on furniture carcass
<b>Weight</b>	31.6kg
<b>Warranty</b>	15 years

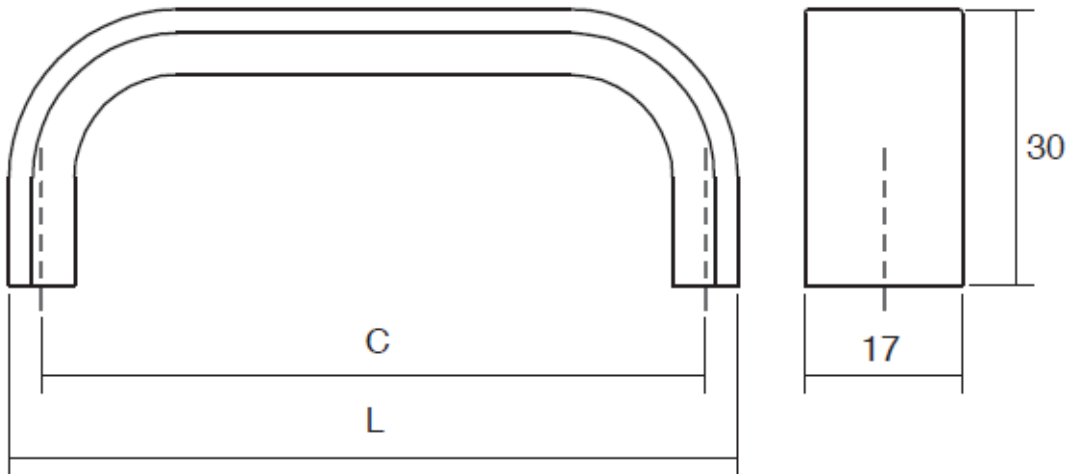
SPECIFICATION

Furniture/Wall hung basin	
EN 31/EN 14688 – CL 0	
Dimensions w 1100 x d 402 x h 35mm	
Special feature: overflow channel glazed	
Overflow Colour options:	
MPROOVM	Matt
MPOOVF	Brushed Brass
MPOOVV	Stainless Steel Effect



Measurements in millimetres mm  
 Information updated August 2018  
 Tel 0345 873 8840

TECHNICAL



Code	Description	Finish	C	L
			mm	mm
IF_HANDLEBM	INFINITY FURNITURE HANDLE	MATT BLACK	256	263
IF_HANDLEC	INFINITY FURNITURE HANDLE	CHROME	256	263

INFINITY FURNITURE HANDLE  
 CHROME IF\_HANDLEC  
 MATT BLACK IF\_HANDLEBM

Fixing Screws included