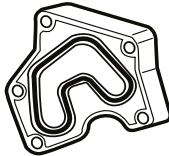
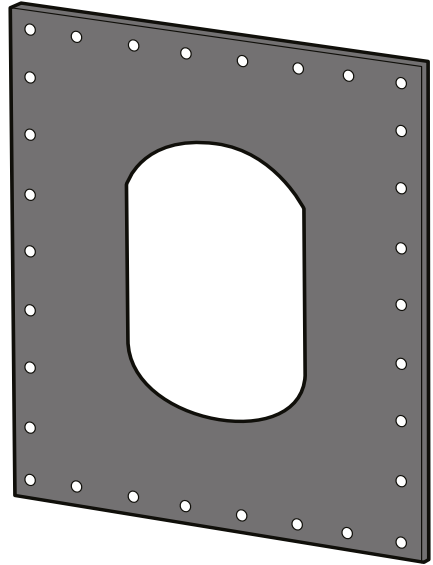
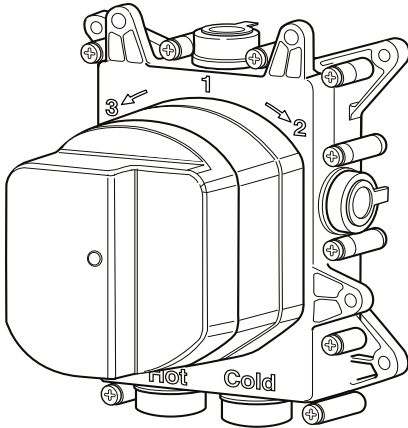
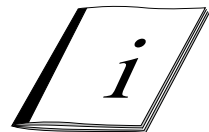


Concealed Box

Mounting Instructions



Mounting instructions



*Pressure range min/max 0,5/5 bar
(in case of water pressure higher than 5 bar we recommend installing pressure reducers).*

Recommended pressure 3 bar.

Operation:

Either with gas or electric accumulation boilers.

Centralised systems.

Safety lock at: 41° C

Min. Working temperature: 3° C

Min. recommended: 15° C

Max. Working temperature: 70° C

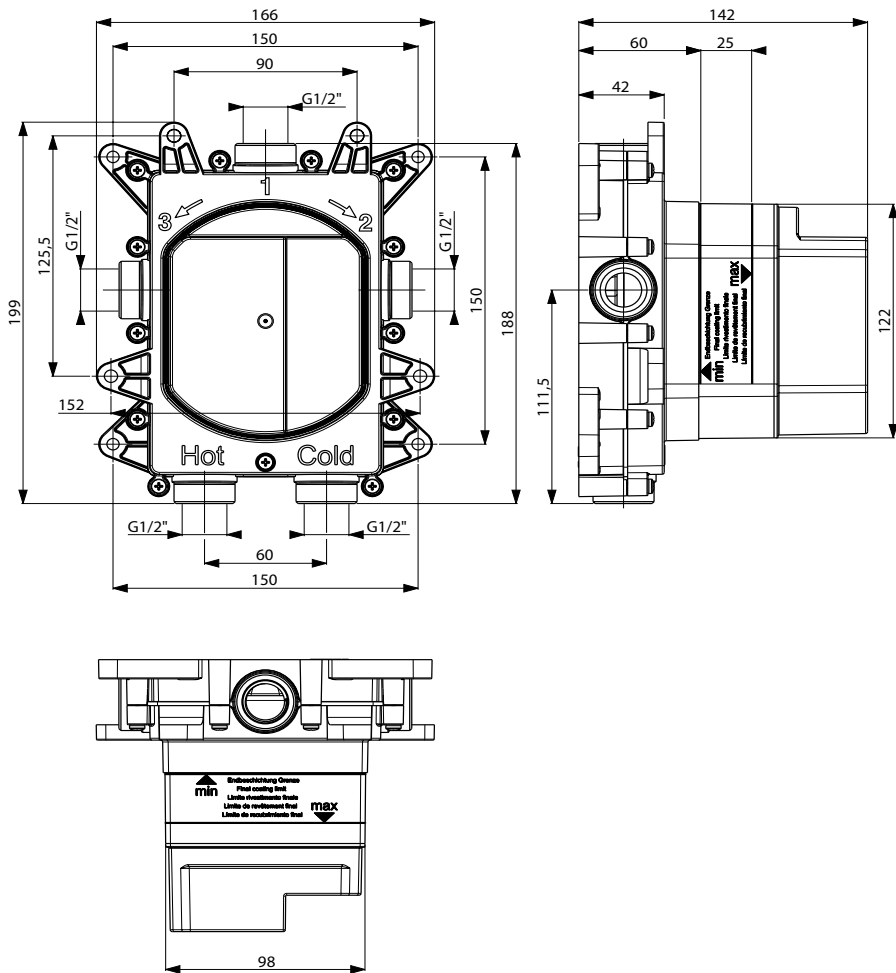
Max. recommended: 65° C

Recommended thermal differential 50° C

Thermal disinfection is allowed.

Safety system with flow stop in case of lack of one of the two waters.

Warning: contact the plumber for the choice of the best water heating device.

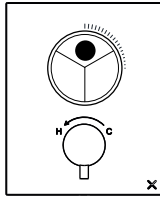


Press.	FLOW RATE (L/min)			
	Push button 2 ways			
	Exit 1		Exit 2	
bar	min.	max.	min.	max.
0,5	1,5	7,5	1,5	7,5
1	2,3	11,3	2,3	11,2
2	3,5	16,5	3,5	16
3	4,5	20,5	4,5	20
4	5,5	23,7	5,2	22,8
5	5,7	26,5	5,7	25,5

Press.

FLOW RATE (L/min)

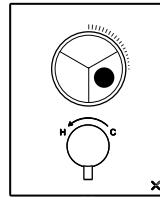
Push button 3 ways



Exit 1

min. max.

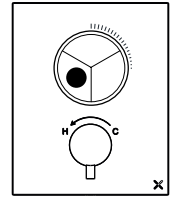
1,8 8,1



Exit 2

min. max.

1,8 7,7



Exit 3

min. max.

1,8 7,7

bar

0,5

1

2,7 11,8

2

3,9 16,8

3

4,8 20,7

4

5,5 24

5

6,2 26,7

2,6 11,5

3,9 16,7

4,8 20,5

5,5 23,7

6,2 26,6

2,6 11,5

3,9 16,7

4,8 20,5

5,5 23,7

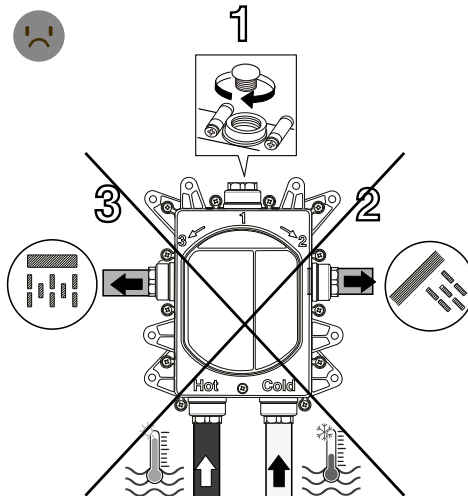
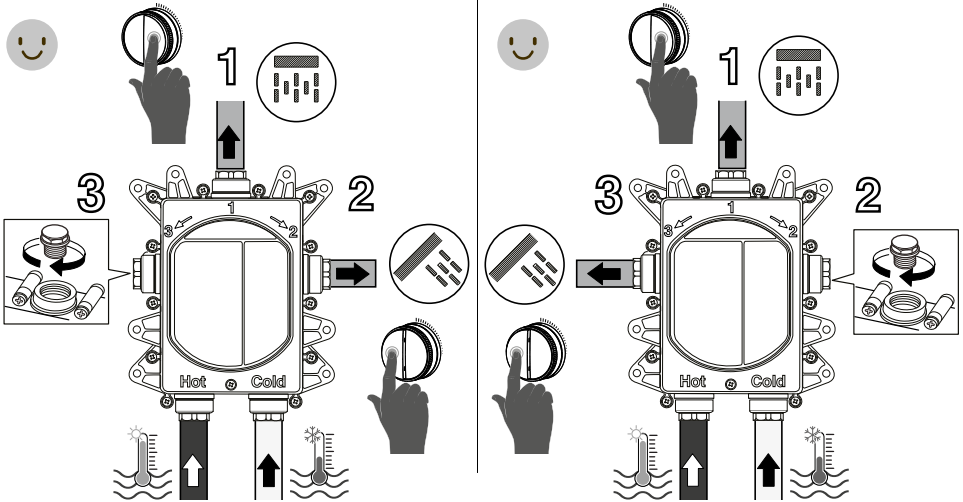
6,2 26,6



2 WAYS - ONLY PUSH VERSION



ATTENTION:
indications valid only
for PUSH VERSION!



**3 WAYS - ONLY PUSH VERSION**

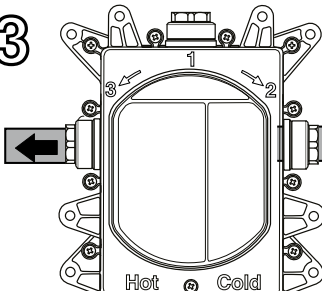
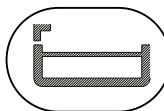
ATTENTION:
indications valid only
for PUSH VERSION!



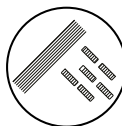
1

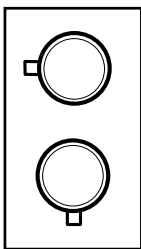
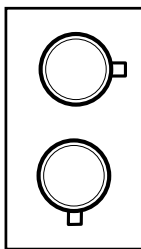
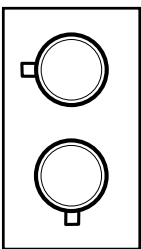
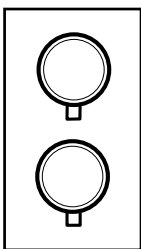


3



2

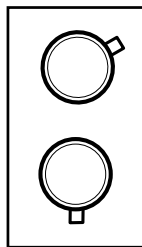


Press.	FLOW RATE (L/min)			
	Term. 1 way	Term. 2 way		
				
bar	Exit 1/2/3	Exit 2	Exit 3	Mix
0,5	8,2	8,2	8,2	9,2
1	11,7	11,7	11,7	13,2
2	16,7	16,4	16,4	18,7
3	20,7	20	20	22,9
4	24	23	23	26,4
5	26,6	25,8	25,8	29,5

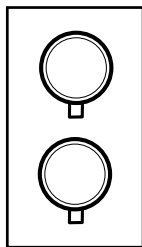
Press.

FLOW RATE (L/min)

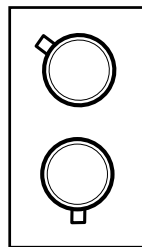
Term. 3 ways



Exit 1



Exit 2



Exit 3

bar

0,5

9,4

8,1

8,1

1

13,4

11,6

11,6

2

19,2

16,6

16,6

3

23,7

20,5

20,5

4

27,4

23,8

23,8

5

30,5

26,6

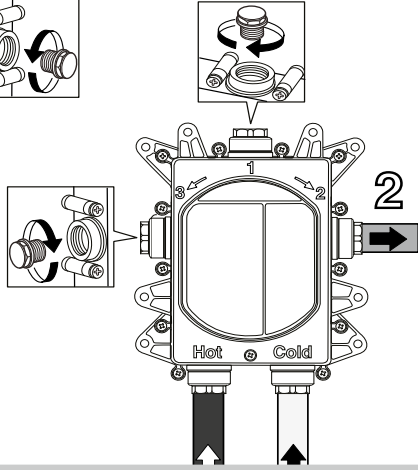
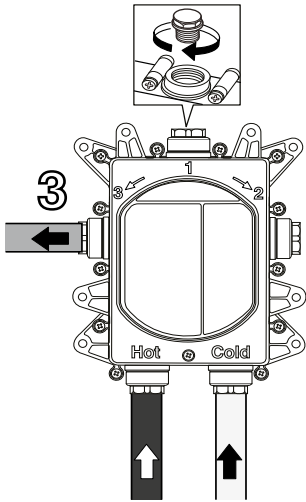
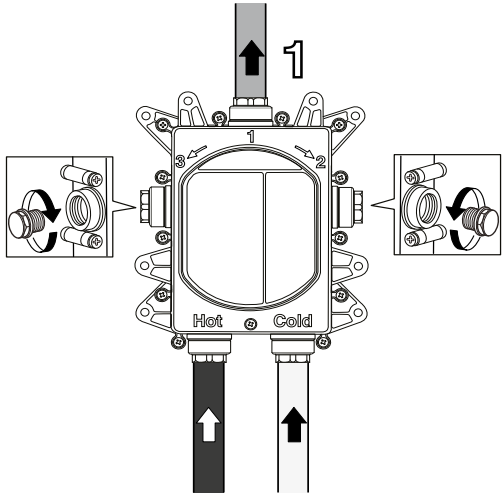
26,6



ATTENTION:
indications valid only
for **OTHER VERSIONS!**

Use hemp or teflon

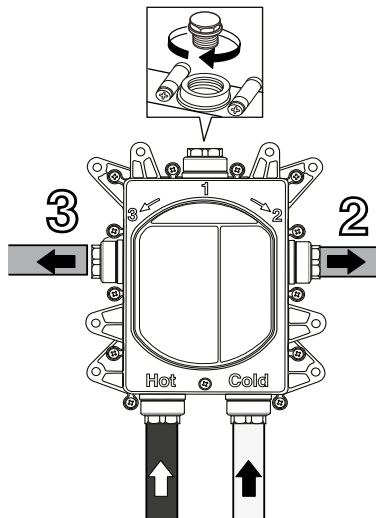
1 way



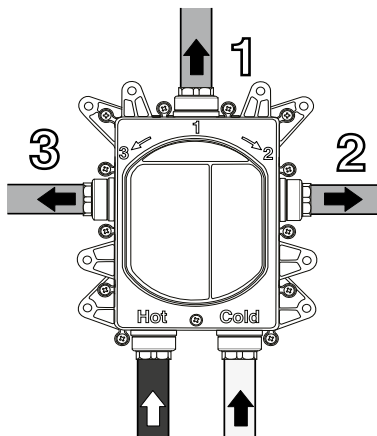


ATTENTION:
indications valid only
for **OTHER VERSIONS!**

2 ways

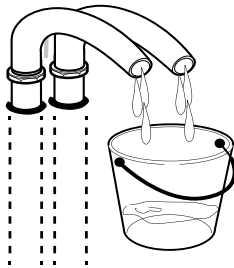
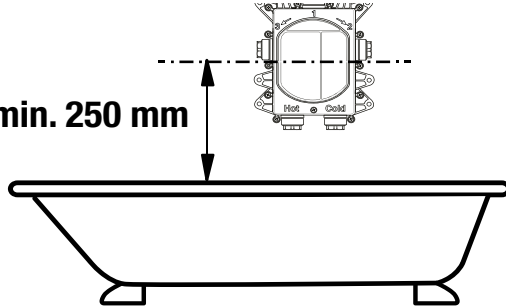


3 ways

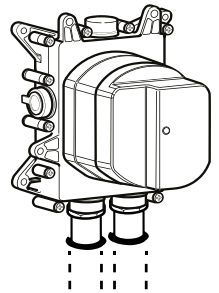
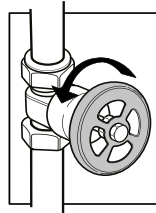


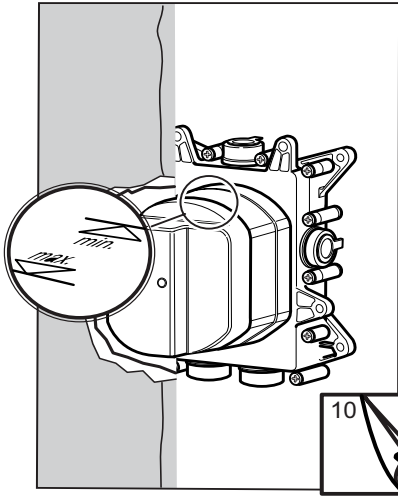


min. 250 mm

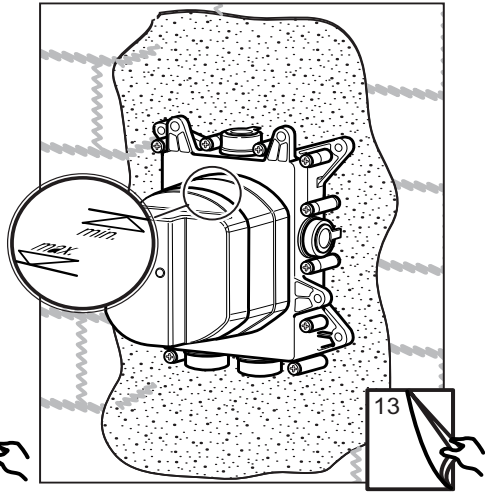


1° → 2°

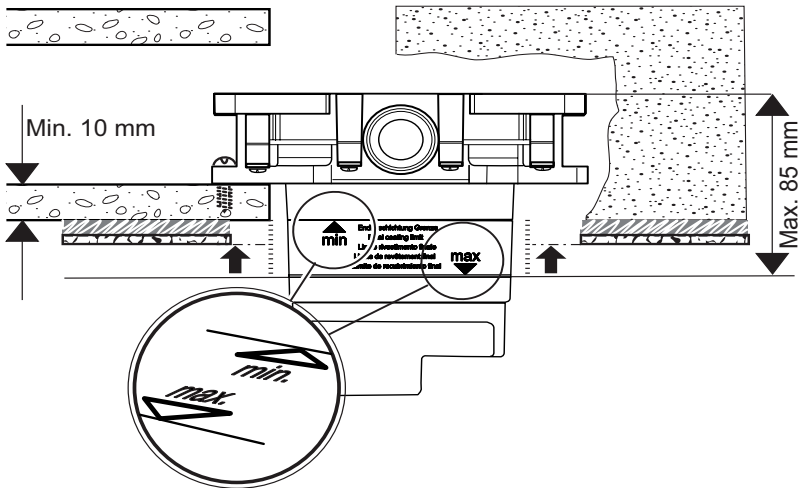


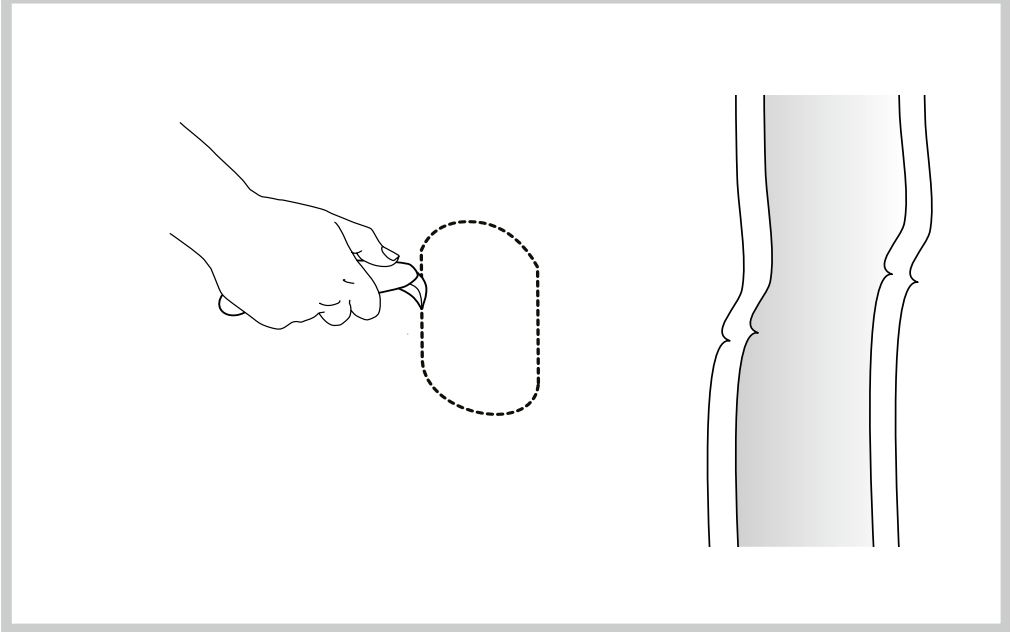
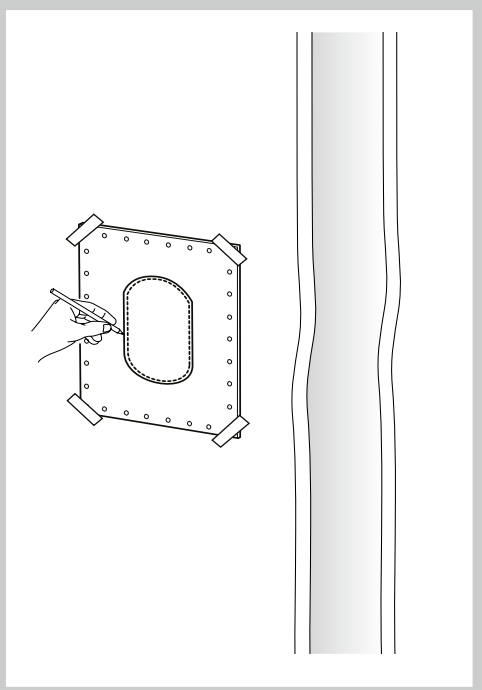
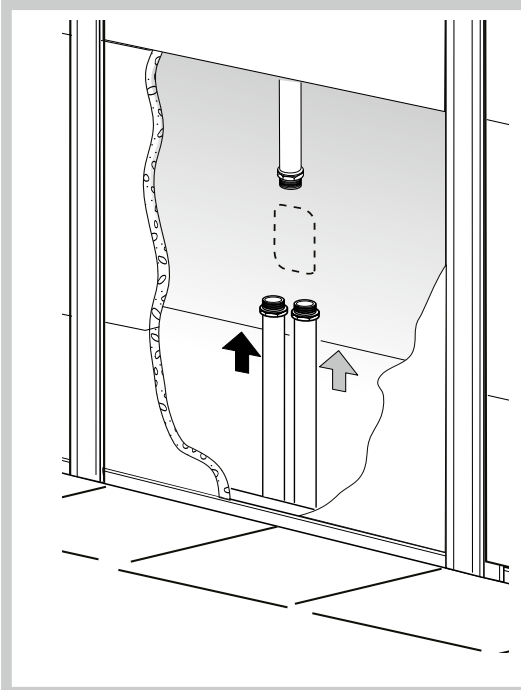


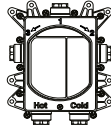
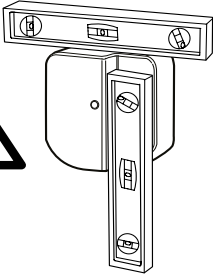
Mounting on plasterboard wall



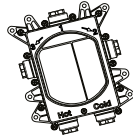
Wall mounting



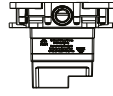




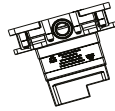
OK



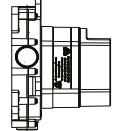
NO



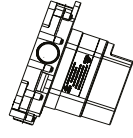
OK



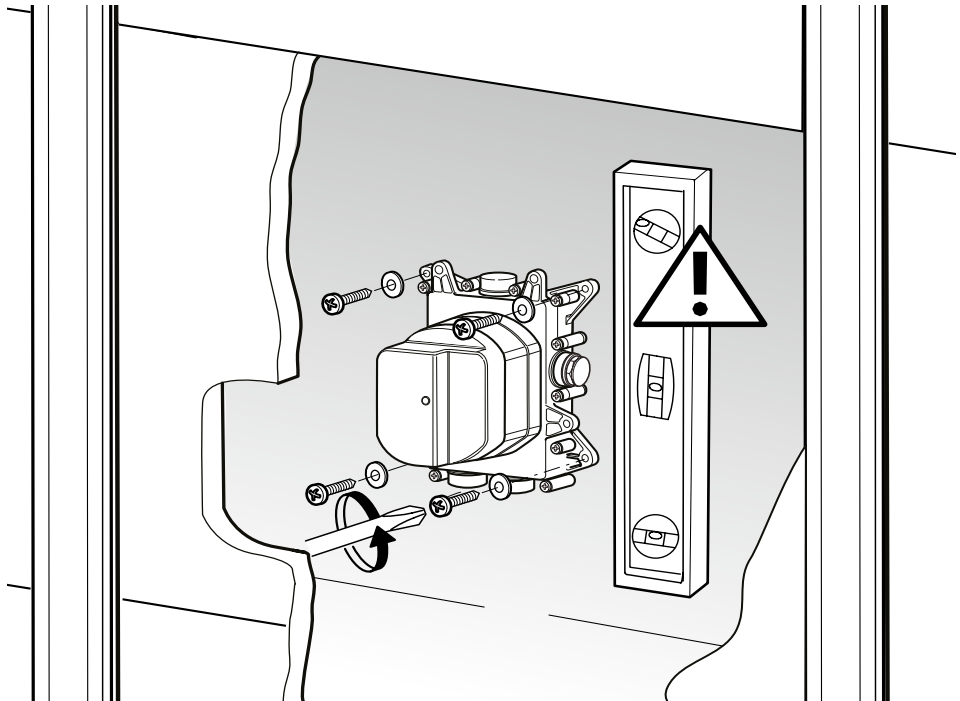
NO

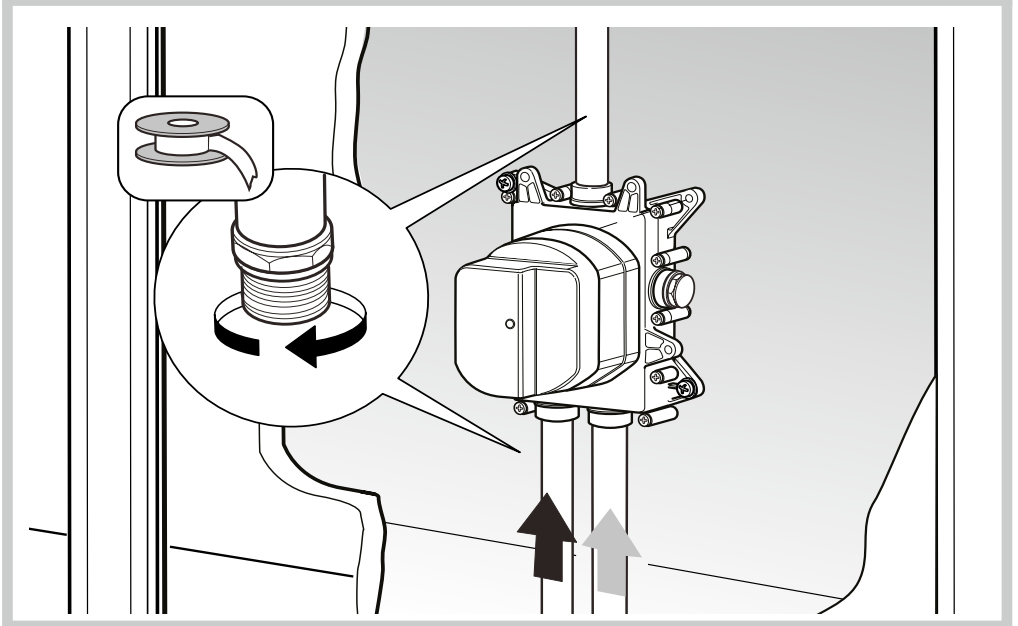
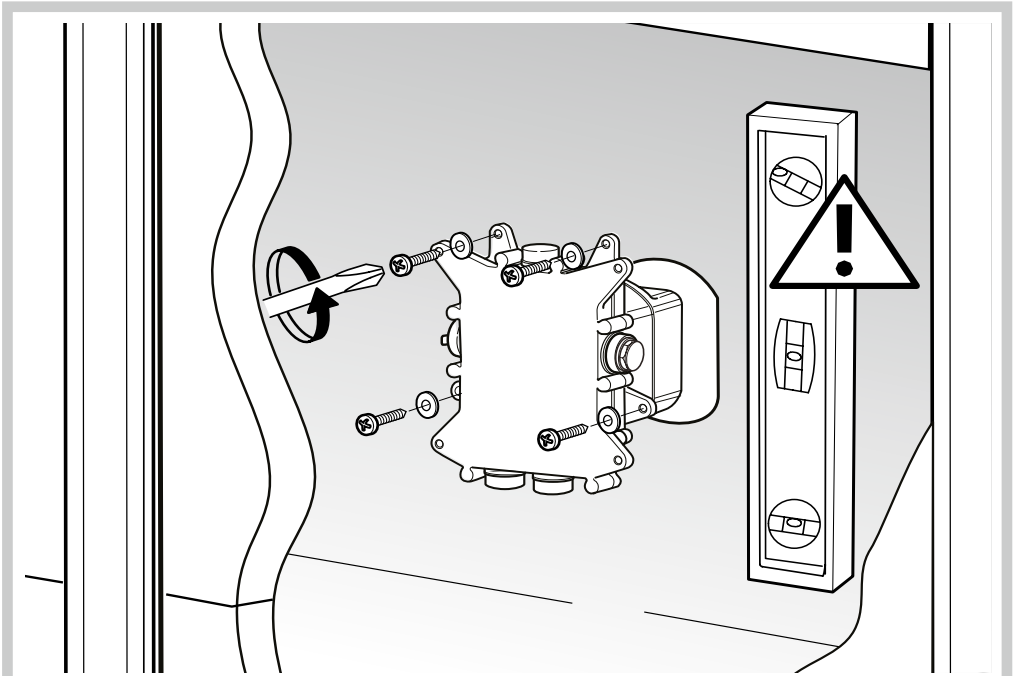


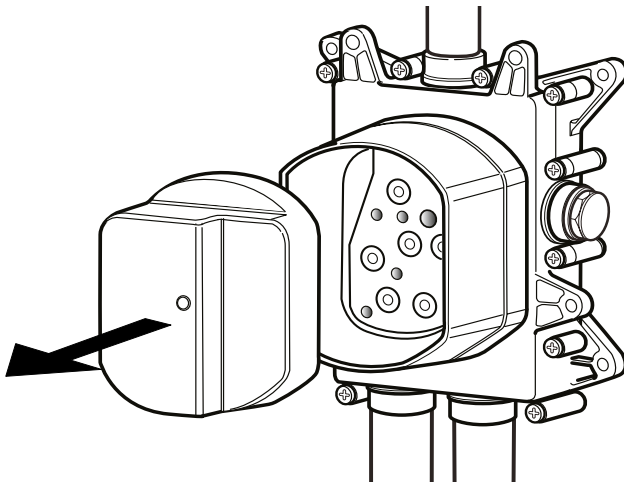
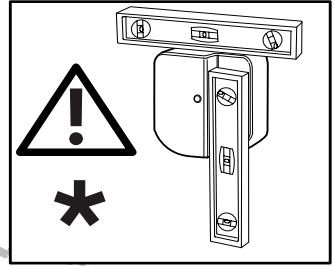
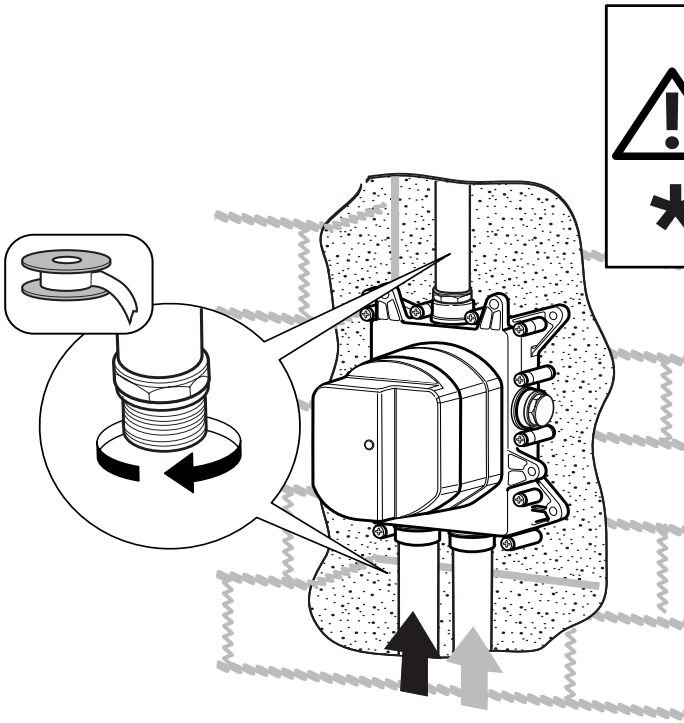
OK

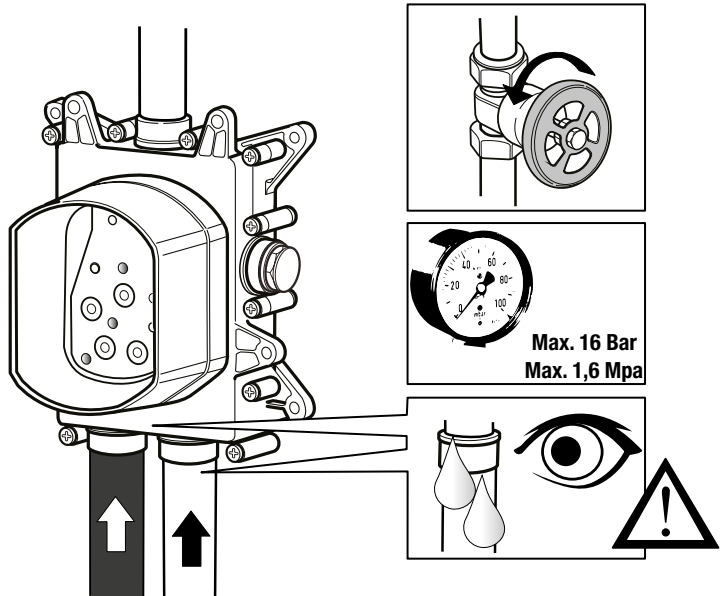
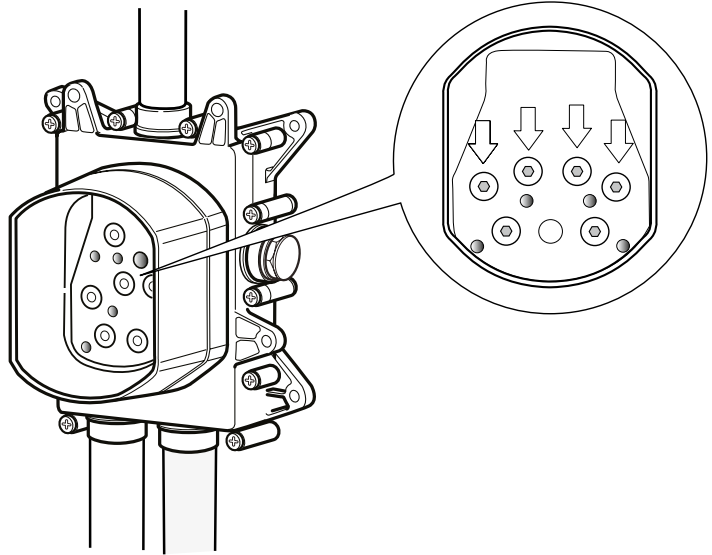


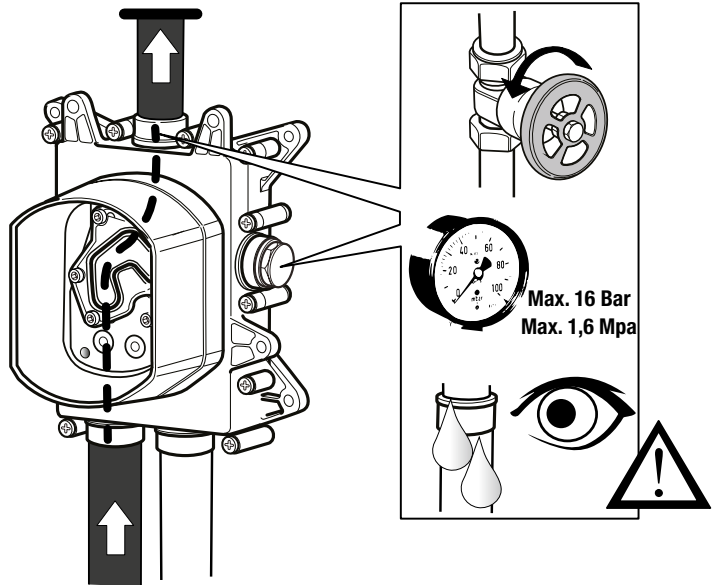
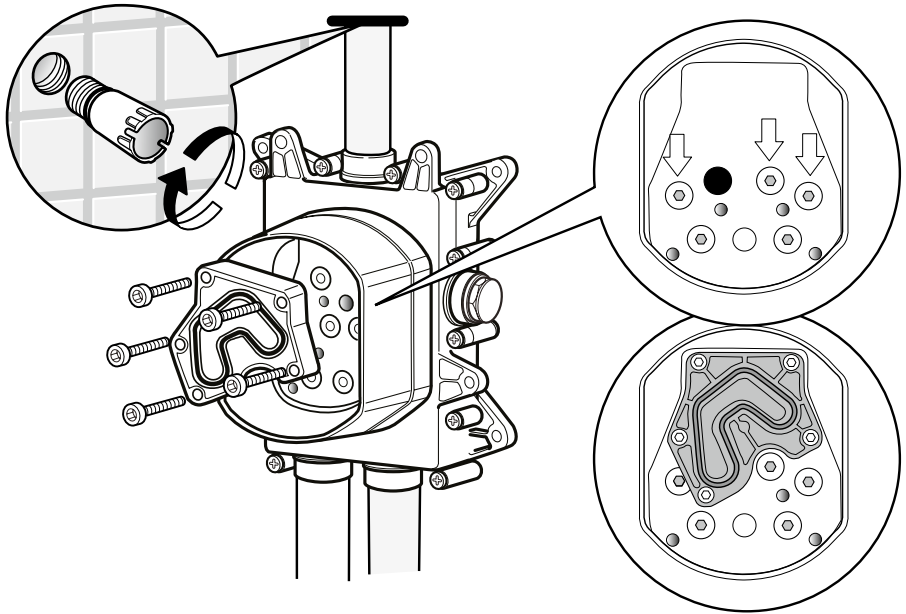
NO

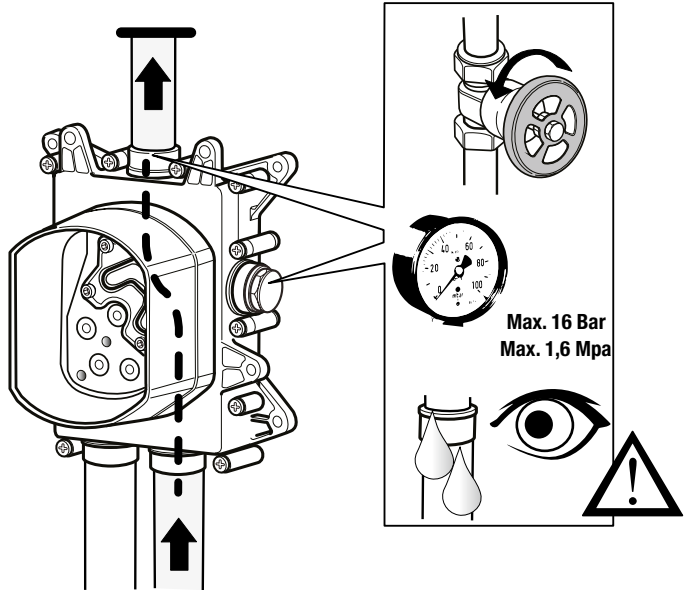
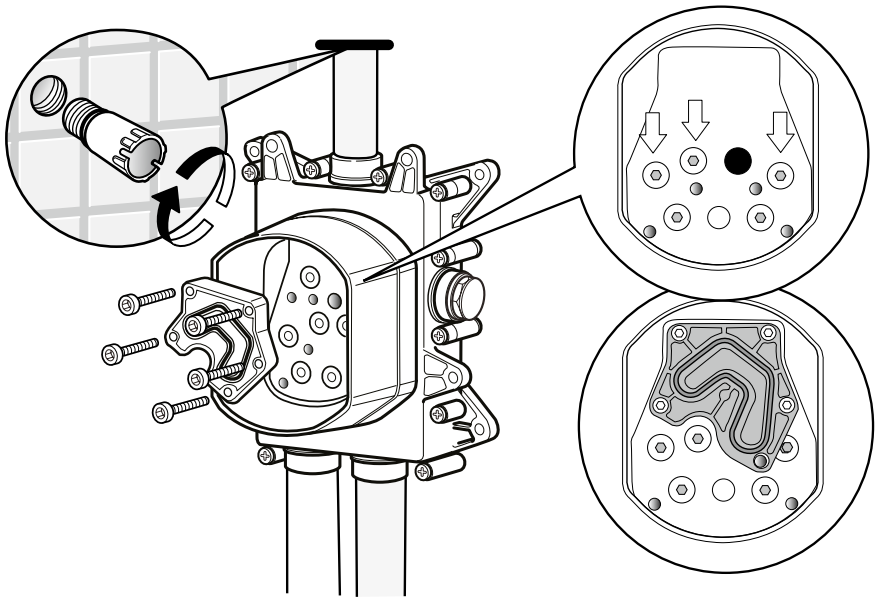


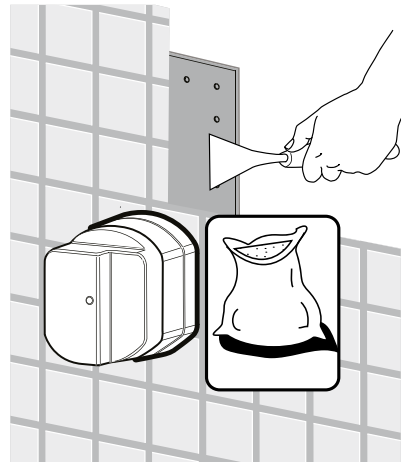
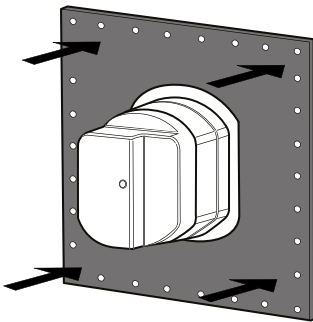
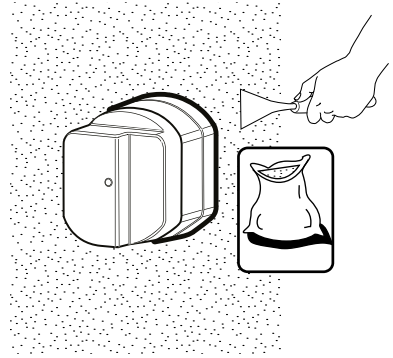
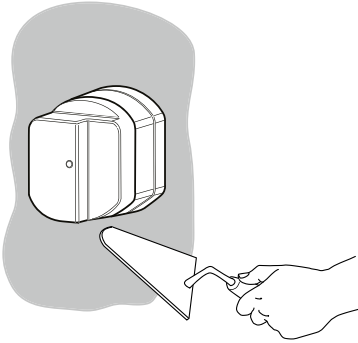












This product should only be fitted by a qualified plumber to NVQ (National Vocational Qualification) or SNVQ (Scottish National Vocational Qualification) Level 3. Should the installation be completed by a non-qualified person then the guarantee may be considered invalid.

For a claim made under our warranty written certification of your installers credentials can be required. For further information or to find a qualified installer in your area please visit the Institute of Plumbers website - www.iphe.org.uk

THE QUALIFICATIONS

At present, to be a plumber you need to follow the National Vocational Qualification (NVQ) route (Scottish National Vocational Qualification - SNVQ - in Scotland). These qualifications are made up of theory and practical work in the classroom/purpose built training facility and work based experience with a working plumber. Colleges should help students find a work placement, although many students organise it themselves.

The S/NVQ qualification works in levels. All recently qualified plumbers should hold S/NVQ Level 2 as basic with Level 3 as the preferred level. Level 2 will give you the foundation you need for a career in plumbing and teach you domestic plumbing to a satisfactory level. Level 3 is more comprehensive and deals with domestic, commercial and industrial plumbing along with aspects such as gas - if you want to one day set up your own business, this is the level to reach. The Institute of Plumbing and Heating Engineering, and the industry as a whole recommends that all plumbers reach a minimum of Level 3.

Reaching Level 3 has other advantages. The Institute runs a Master Plumber Certificate, which only those attaining Level 3 or equivalent can reach as long as they have the relevant experience as well. Those with S/NVQ Level 3 can (once in membership with the Institute for five years as a Member MIPHE) gain Engineering Technician EngTech status with the Engineering Council (UK).



For any further information please contact
Crosswater on: **0845 873 8840**

Or visit our web-site at www.crosswater.co.uk

The manufacturer reserves the right to make technical
modifications without prior notice.

INSTALLATION INSTRUCTIONS

INTRODUCTION

Please read these instructions carefully and keep in a safe place for future reference.

General Installation Requirements.

The installation must comply with regulations of the Local Water Authority as contained in their bylaws.

Minimum/Maximum working pressure

The maximum water pressure for this product is 5 bar (note: mains cold water is normally supplied at between 2 and 3bar). For installations where the mains pressure exceeds 5 bar a pressure reducing valve should be fitted.

Approvals

All products are manufactured using materials tested and approved under the Water Bylaws Scheme and comply with requirements of British Standard 5412:1996 where applicable.

WARNING

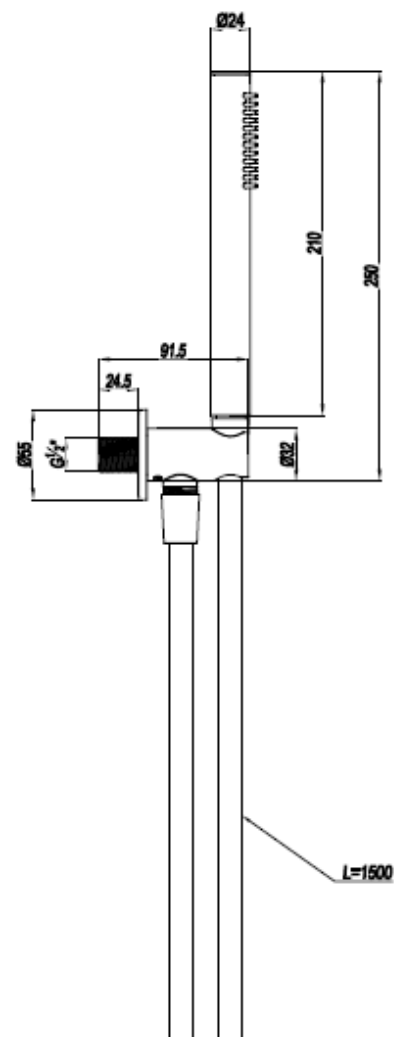
Before installing the ~~handshower~~ and wall outlet it is essential that you thoroughly flush through the supply pipes ~~in order to~~ remove any remaining swart, solder or other impurities.

Failure to carry out this simple procedure could cause problems or damage to the working of the mixer.

These hints have been prepared for your [guidance](#), you must exercise due care at all times. We do not accept responsibility for any problems that may occur through incorrect installation.

DIMENSIONS

TS963S



NOTE: ALL DIMENSIONS IN MILLIMETRES