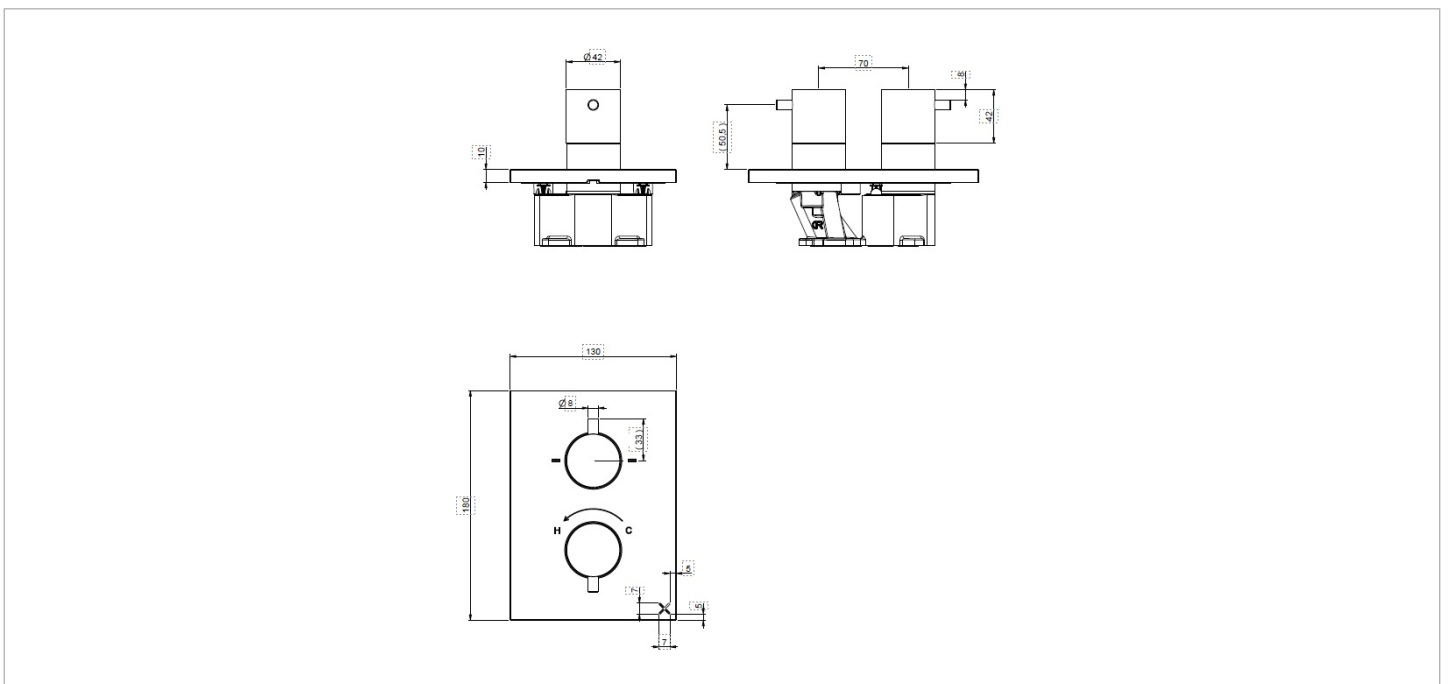
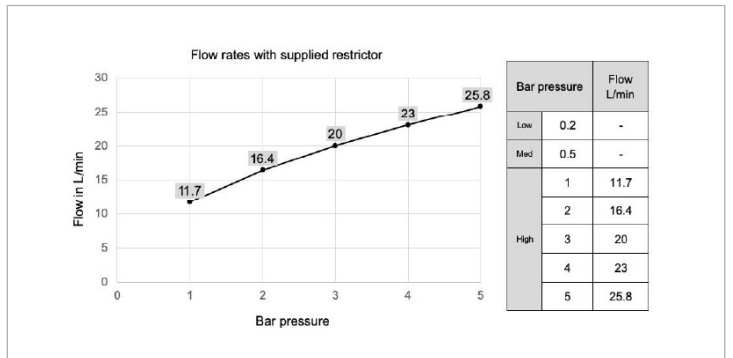


RANGE	INSTALLATION TYPE	PRODUCT DESCRIPTION
3ONE6	Wall	3ONE6 Crossbox Trimset 2D Outlet Stainless Steel

CODE	FINISH	APPLICATION	MIN PRESSURE
TSCB1500LBPS	Stainless Steel	N/A	1.0 bar



HEADWORK	Thermo cartridge + flow control/s
CONNECTIONS	Na
APPROVALS	N/A
WARRANTY*	15 Years (5 on cartridges)

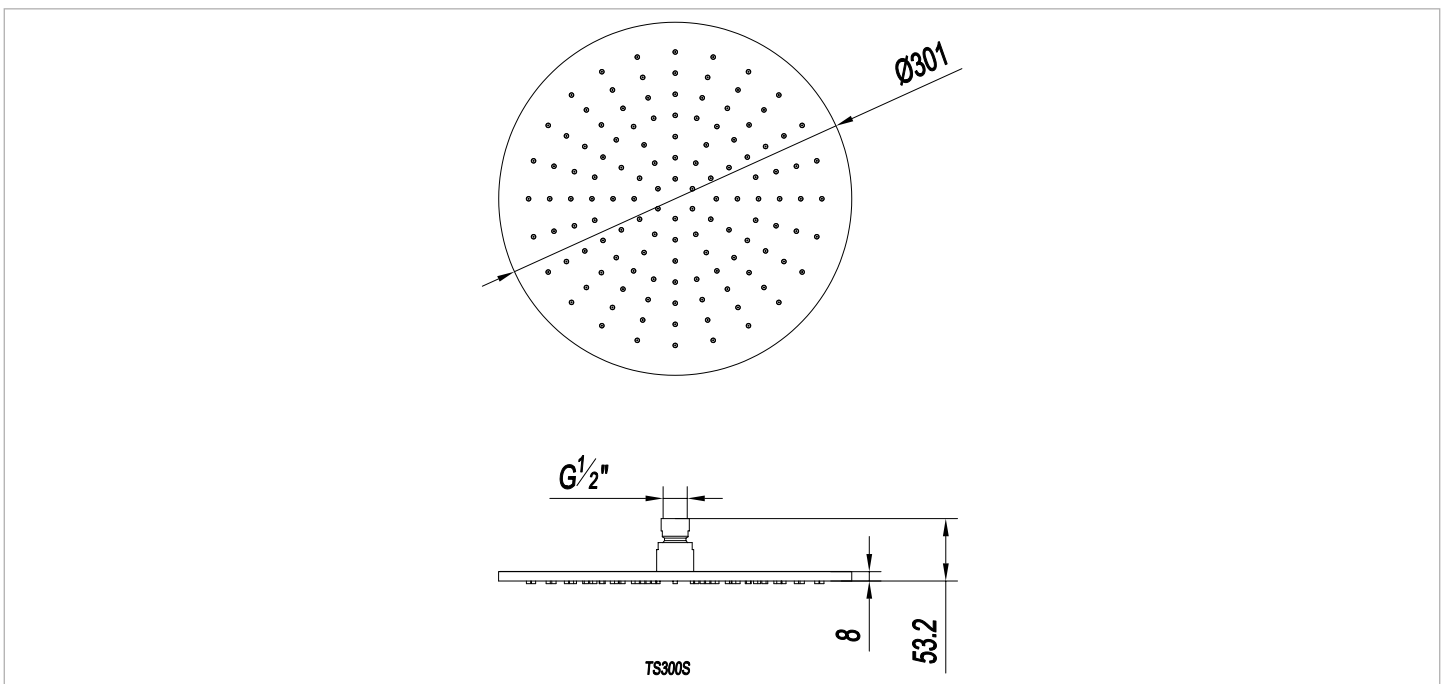
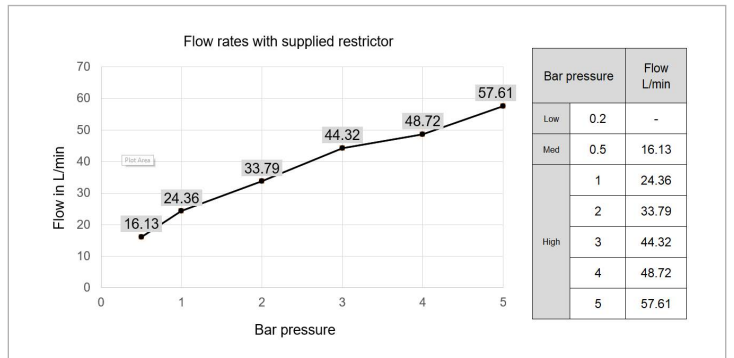


RANGE	INSTALLATION TYPE	PRODUCT DESCRIPTION
3ONE6	Wall/ceiling	300mm Shower Head

CODE	FINISH	APPLICATION	MIN PRESSURE
TS300S	Stainless Steel	N/A	0.5 bar



HEADWORK	N/A
CONNECTIONS	G1/2"
APPROVALS	N/A
WARRANTY*	15 Years

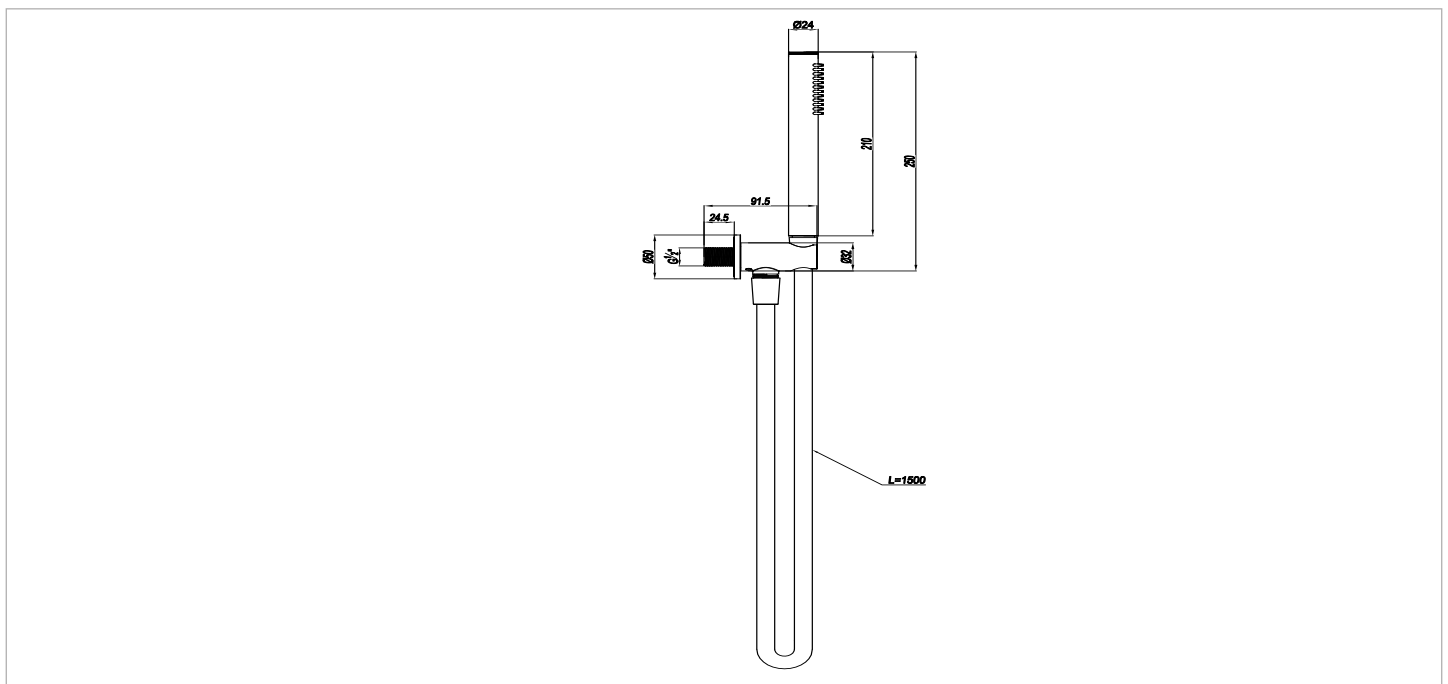
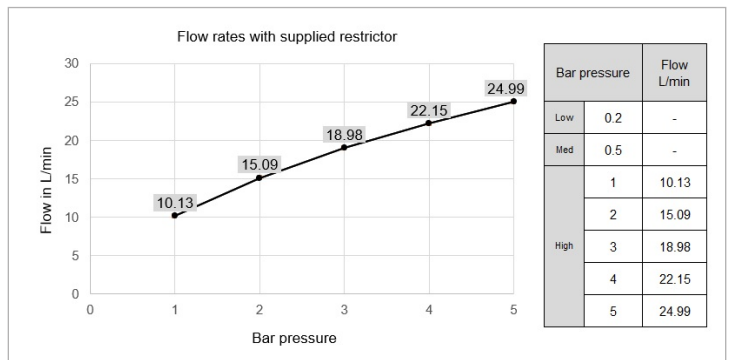


RANGE	INSTALLATION TYPE	PRODUCT DESCRIPTION
3ONE6	Wall	Designer Shower Handset, Hose & Wall Outlet

CODE	FINISH	APPLICATION	MIN PRESSURE
TS963S	Stainless Steel	N/A	0.5 bar

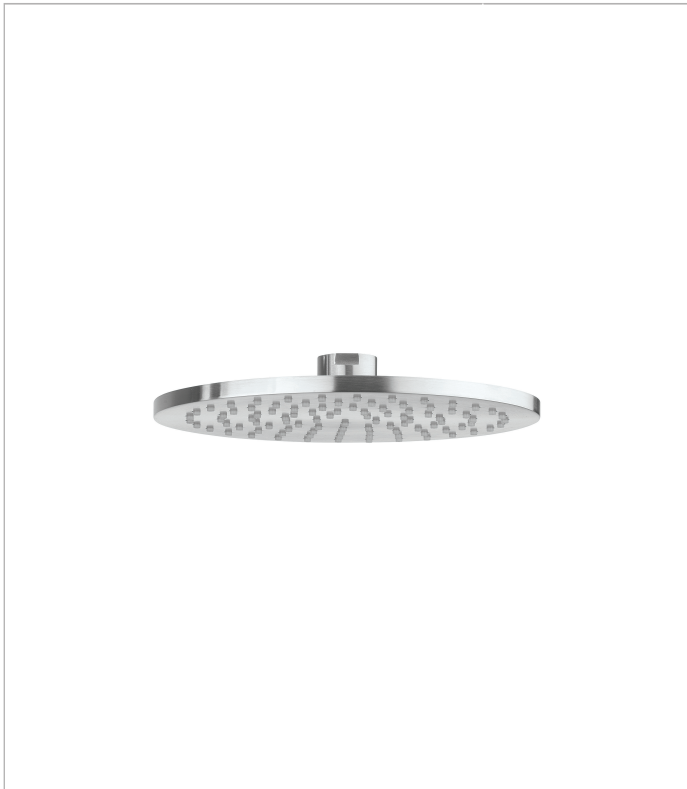


HEADWORK	N/A
CONNECTIONS	G1/2"
APPROVALS	N/A
WARRANTY*	15 Years

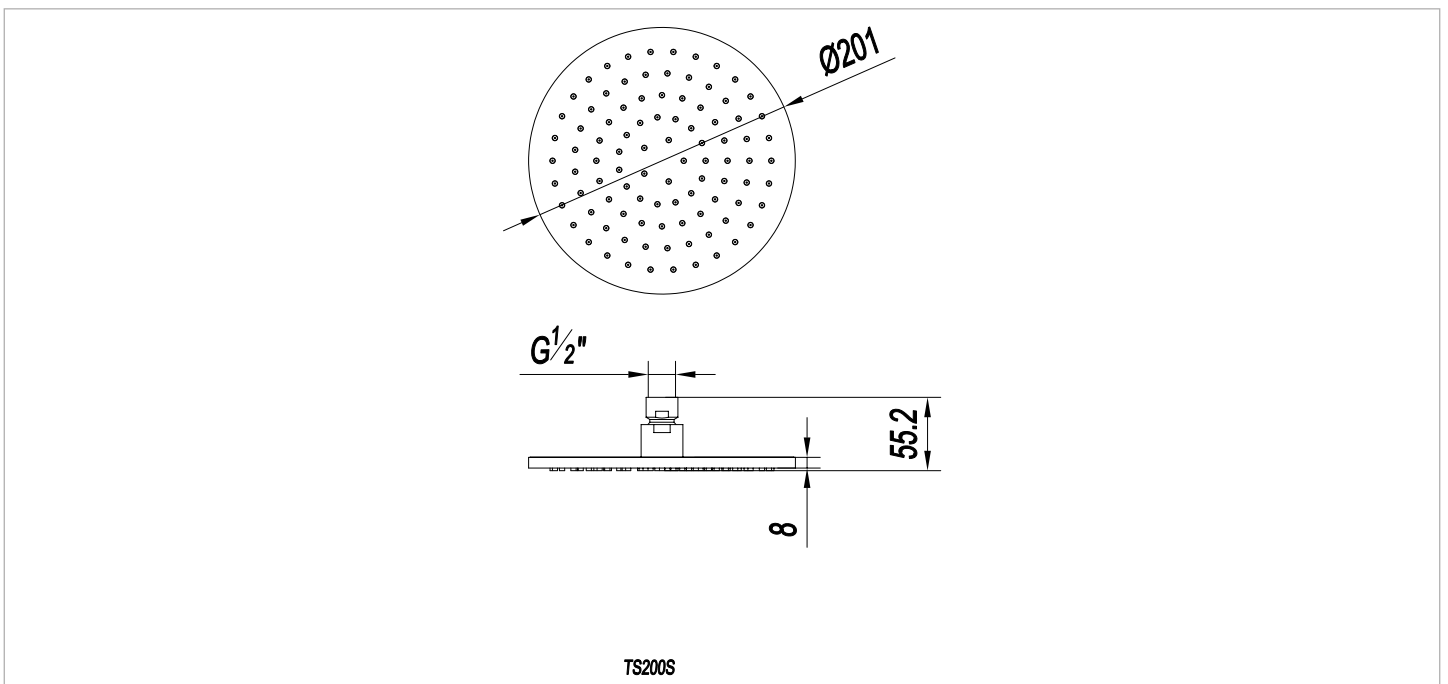
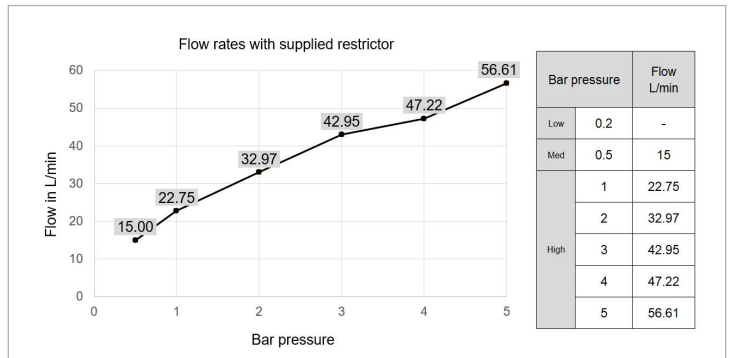


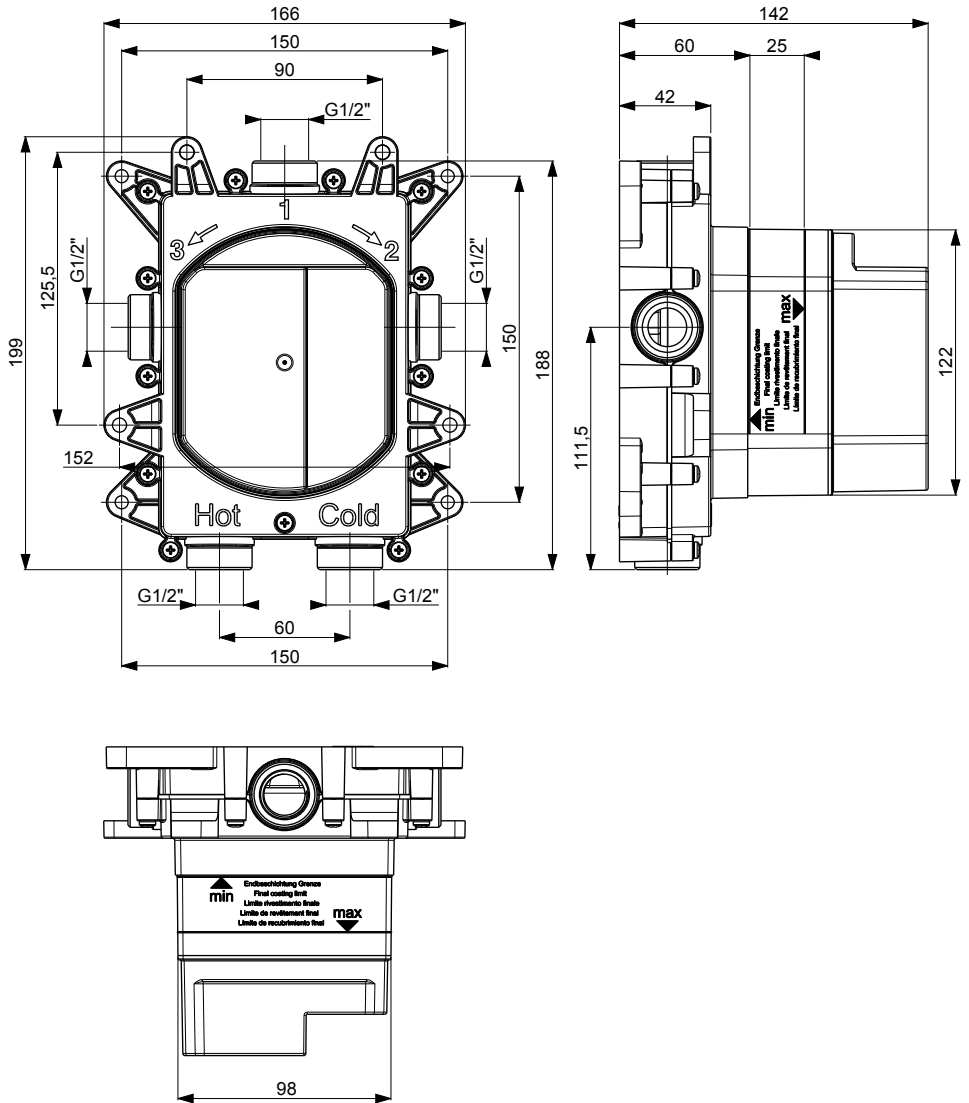
RANGE	INSTALLATION TYPE	PRODUCT DESCRIPTION
3ONE6	Wall/ceiling	200mm Shower Head

CODE	FINISH	APPLICATION	MIN PRESSURE
TS200S	Stainless Steel	N/A	0.5 bar



HEADWORK	N/A
CONNECTIONS	G1/2"
APPROVALS	N/A
WARRANTY*	15 Years





CROSSBOX