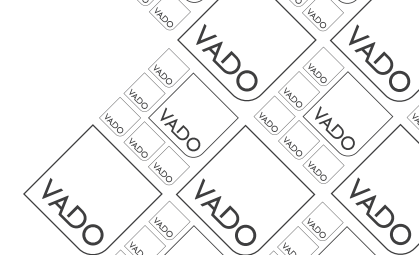




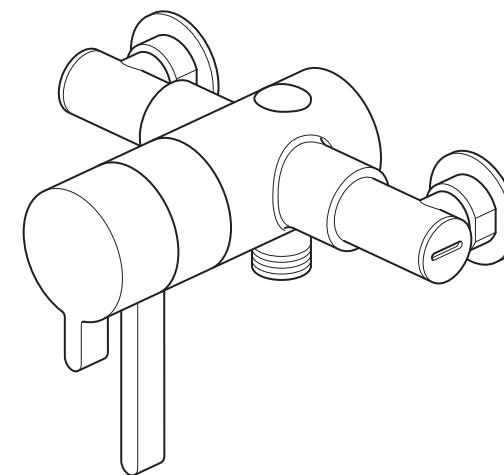
where inspiration flows



Installation Guide
Concentric thermostatic mixing valve

WG-179M-CP

This instruction booklet covers these models:
WG-179M-CP.



Vado
Wedmore Road, Cheddar, Somerset, England BS27 3EB
tel 01934 744466. fax 01934 744345
aftersales@vado.com
www.vado.com



Important - please read

Please read these instructions carefully before starting installation and keep for future reference.

Remove all packaging and check the product for missing parts or damage before starting installation.

Any alterations made to this product and fittings may infringe water regulations and will invalidate the guarantee.

The installation must comply with all Local/National Water Supply Authority Regulations/Byelaws and Building and Plumbing Regulations.
To be installed in accordance with BS EN806.

We strongly recommend that you use a qualified and registered plumber.

General installation

This fitting is a mixing device and therefore water supplies should be reasonably balanced.

When installed, the fitting must comply with the requirements of the Water Supply (Water Fittings) Regulations 1999 and Scottish Byelaws 2004. Please check with your local water undertaker if there is any uncertainty.

Before making any inlet pipe connections, all supply pipes MUST be thoroughly flushed to remove debris. Failure to do so could result in damage or low flow from the mixer unit. Water Supply (Water Fittings) Regulations 1999 Schedule 2 Section 13.

The fitting of isolating valves to the inlet feeds is advised for ease of maintenance.

Please take great care when installing this mixer not to damage its surface.

Please note if installing in an enclosed environment, access should be left for servicing and maintenance. No costs relating to inadequate access can be accepted.

Operating Specifications

Operating Pressure

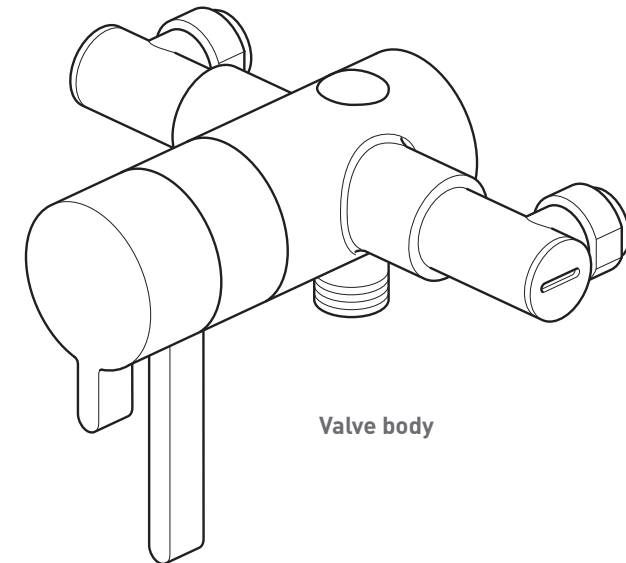
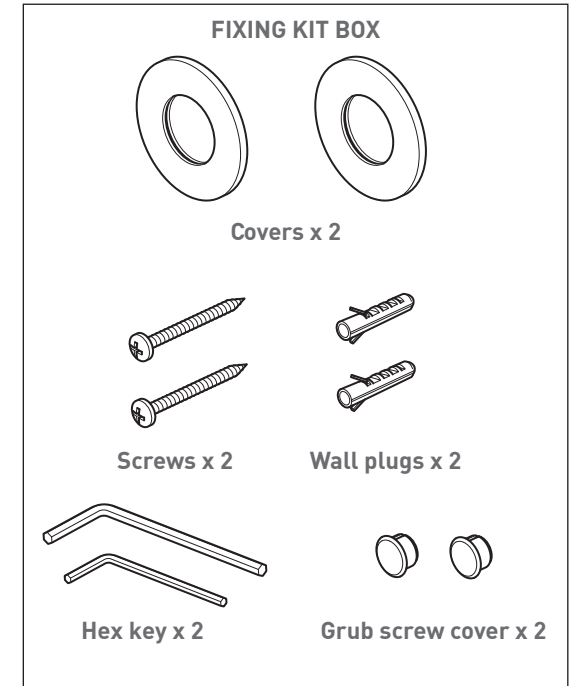
Minimum operating pressure 1 bar

Maximum operating pressure 5 bar

Contents of Packaging

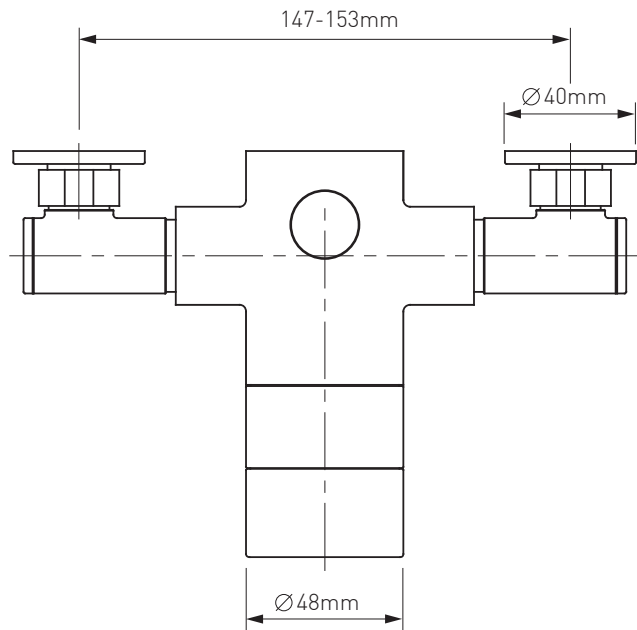
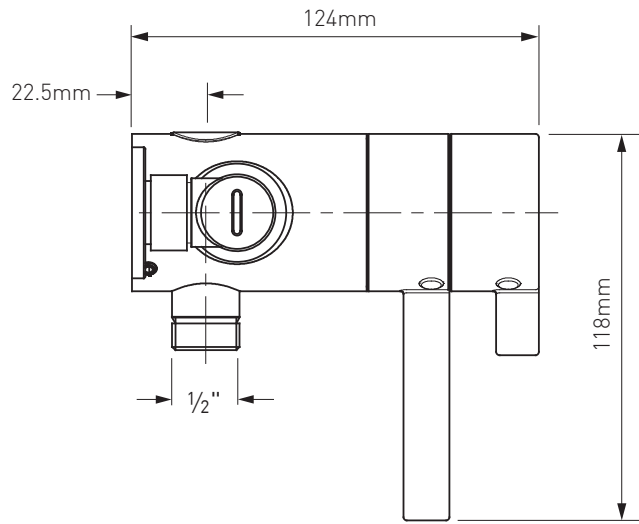


Installation guide &
User manual

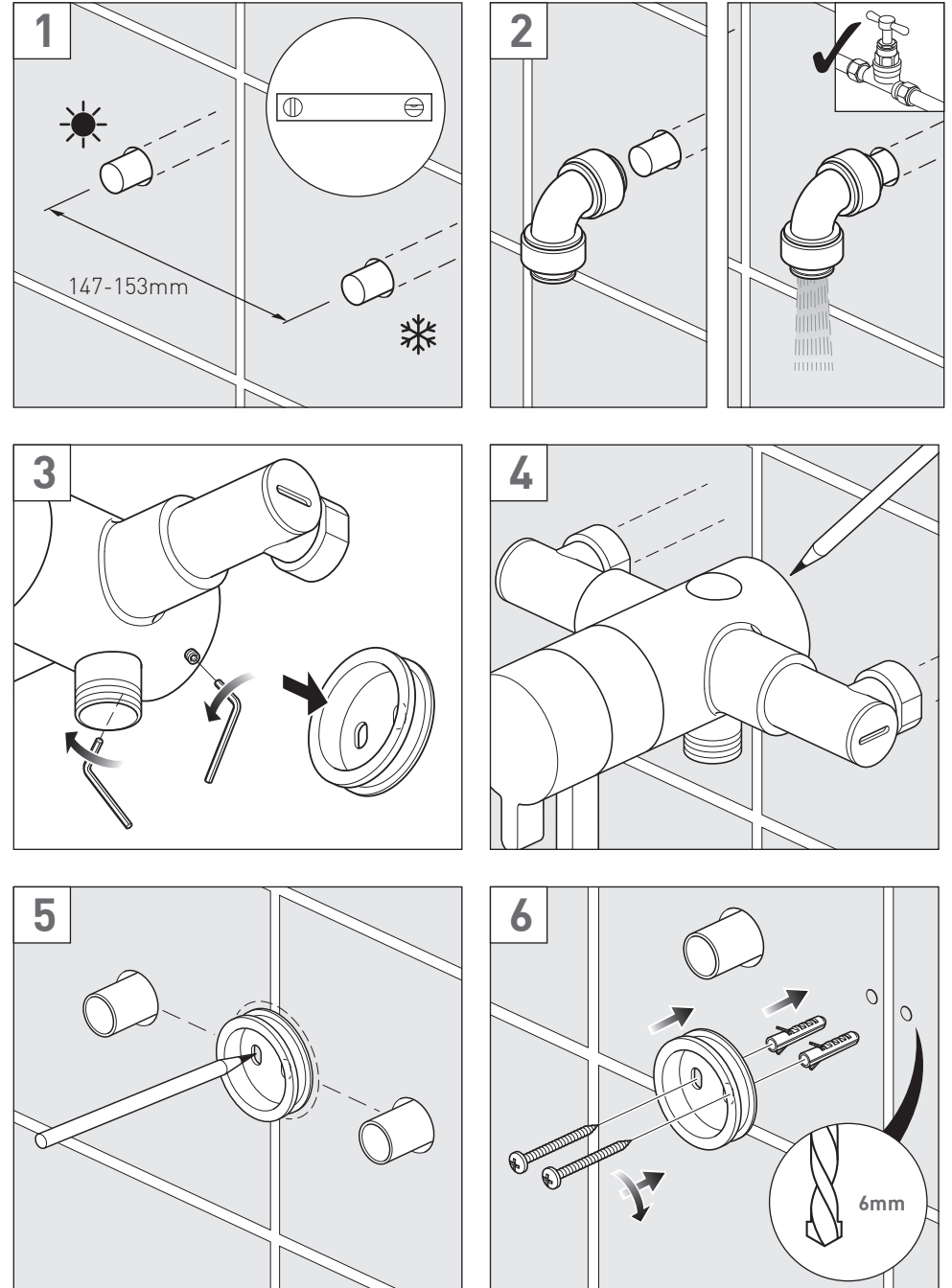


Valve body

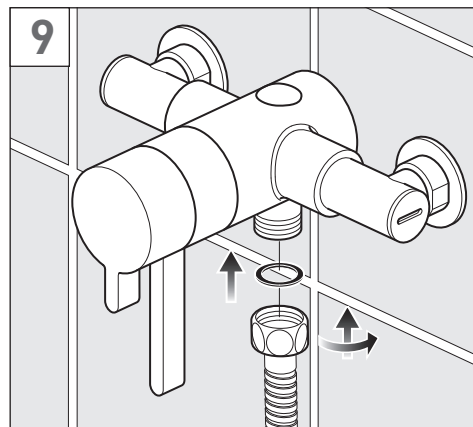
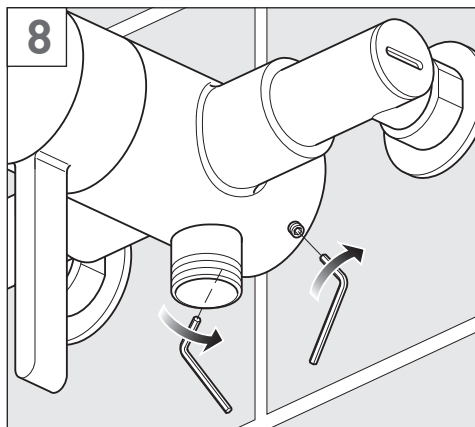
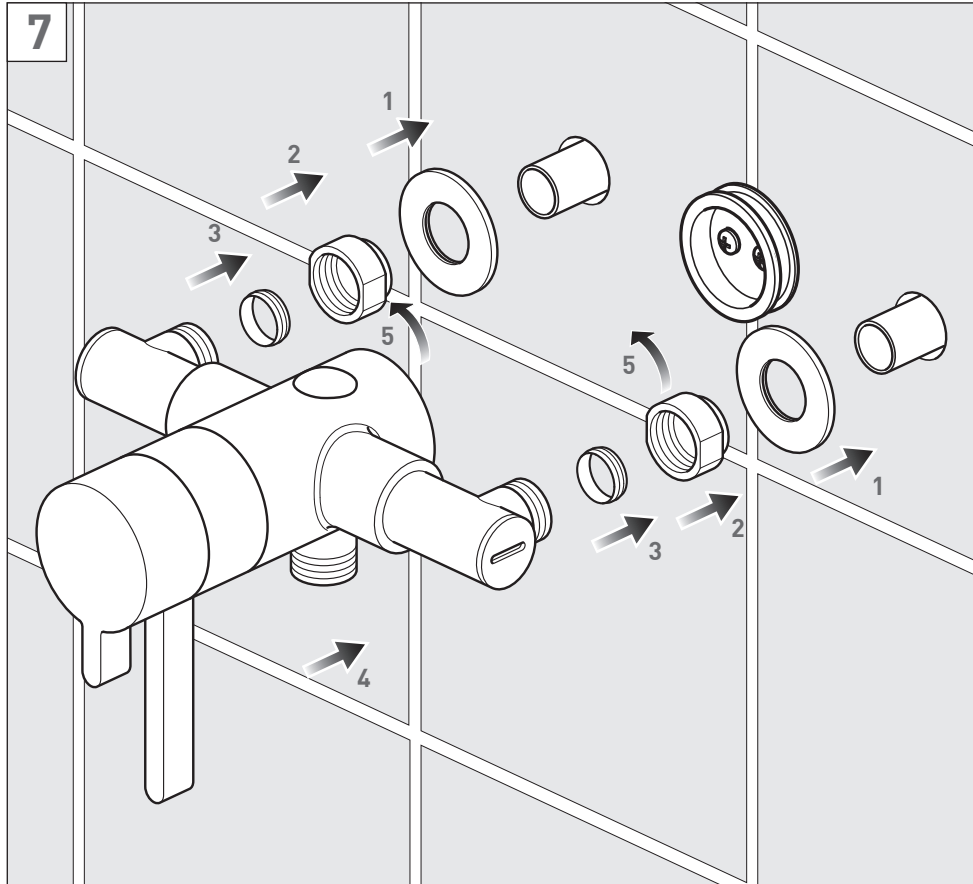
Dimensions



Installation - Quick guide



Installation - Quick guide



Installation

Prepare the wall with 2 copper pipes at 147-153mm centres. Make sure the pipes are level (**Fig. 1**).

Connect the water supply to the inlet pipes. The hot water should be connected to the left hand pipe.

Before installing your new mixer, flush through the pipe work to ensure removal of debris, turn off the water supply. (Do not allow dirt, metal particles or shavings to block the filters fitted on inlets).

Temporarily place the valve over the copper pipes and mark the back of the body against the wall.

There is a small amount of adjustment on the inlet pipes to allow fitting onto the copper pipes. Screw each side in or out as required, ensuring that both sides are screwed in equally & within the tolerance specified on the dimension page.

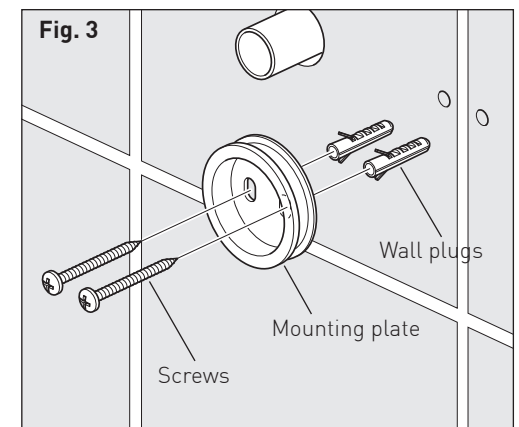
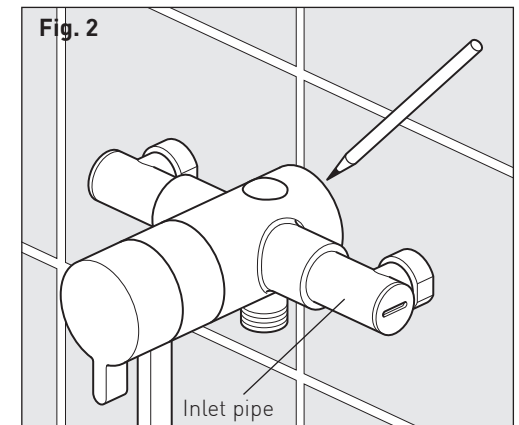
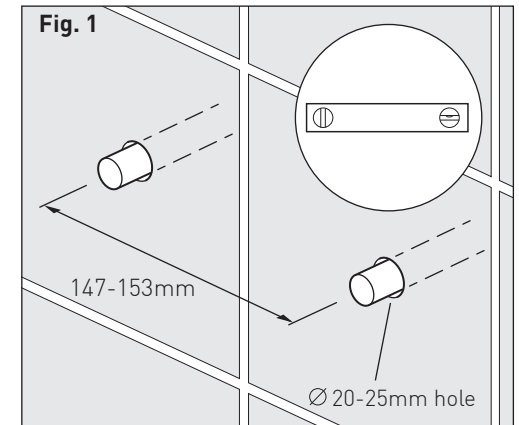
Remove the valve (**Fig. 2**).

Remove the mounting plate from the back of the valve by releasing the two grub screws and pulling out the plate.

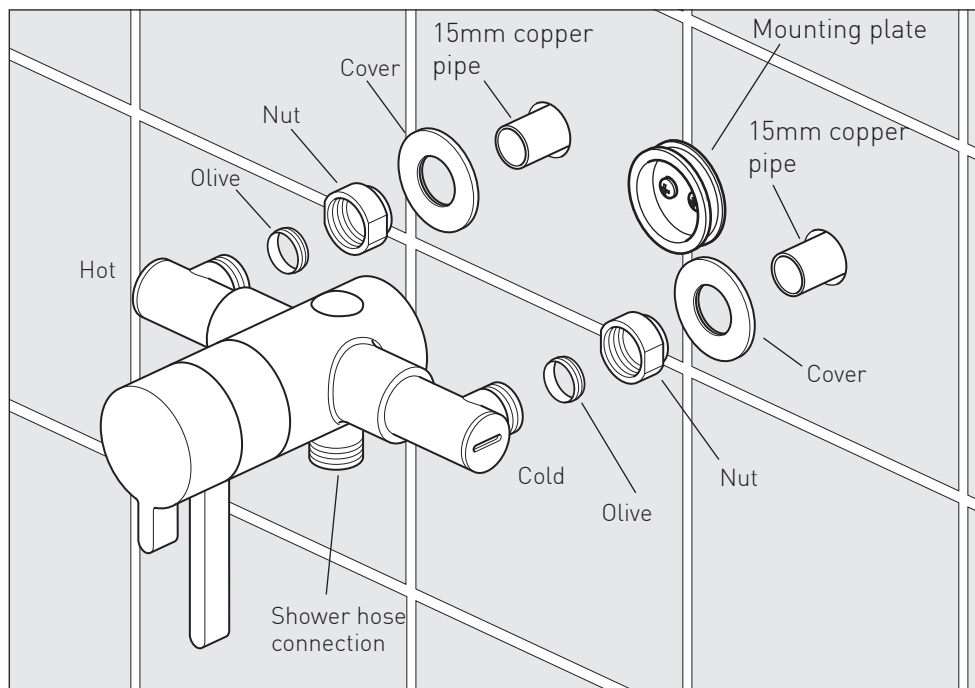
Place the mounting plate in the centre of the marked position and mark the two fixing holes.

Drill the marked holes to a suitable depth for the wall plugs and secure with supplied screws (**Fig. 3**).

If you are fitting the valve to a partition wall or a wall of particularly soft substrate you will need specialist fixings.



Installation



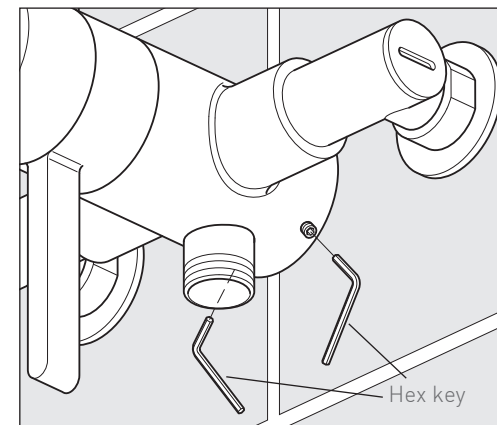
During and after installation protect the outer parts of the valve to avoid damage to plated surfaces.

Place the covers over the copper pipes, followed by the nuts and the olives.

Push the valve onto the copper pipes and the mounting plate, tighten both the nuts on the inlets being careful not to damage the plated surface.

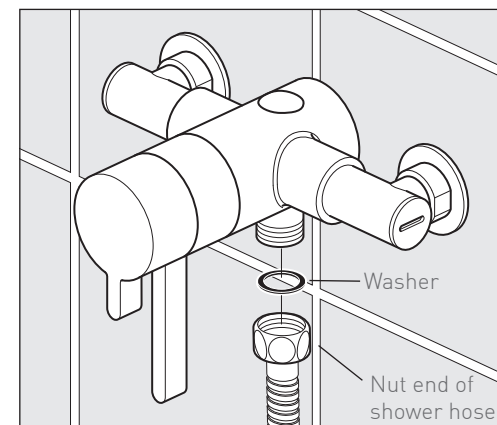
Installation

From the underside tighten both grub screws to secure the valve in position.



Shower hose

Place a rubber washer into the nut end of the hose and attach it to the valve outlet.



Commissioning

The valve has been factory set under balance pressures and hot water supply at 65°C.

When your specific operating conditions are significantly different from above, the temperature of the water may vary from the setting.

When the difference is too great, you can adjust the calibration of the valve to suit individual requirements of the installation:

1. Check the temperature of the water being delivered from the outlet with a thermometer, when the temperature control handle is located at 6 o'clock.

Note: temperature readings should be taken at normal flow rate after allowing for the system to stabilise.

2. If the temperature is not 38°C proceed to reset the calibration as follows:

Remove the temperature control handle **(see fig.1)**

Ensure the step on the stop ring is located at 4 o'clock **(see fig.2)**.

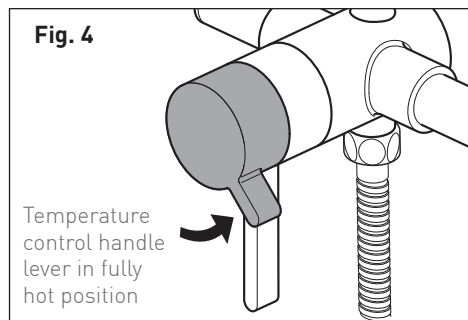
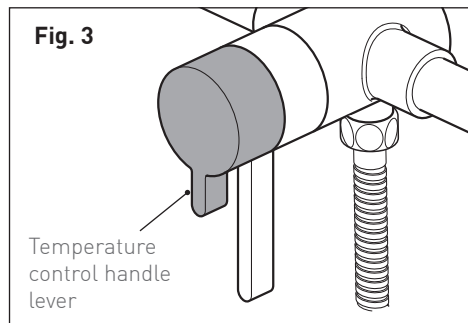
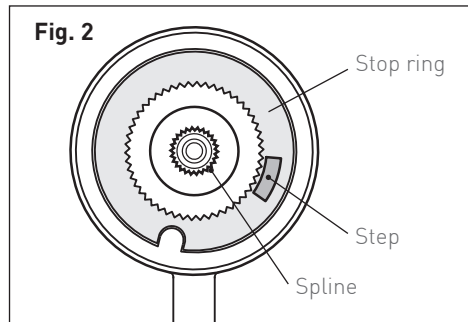
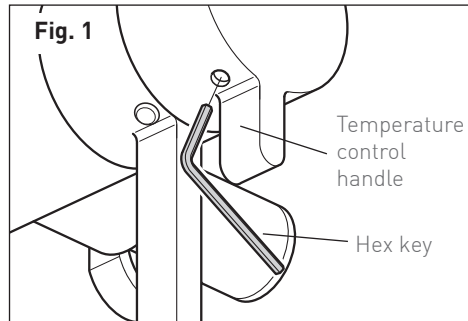
Do not remove the stop ring. Turn the spline of the thermostatic valve clockwise to decrease the temperature and anti-clockwise to increase the temperature until 38°C is achieved at outlet.

Note: the sensing part of the thermometer probe must be fully submerged in the water that is to be tested.

Replace the temperature control handle ensuring that the lever is located at 6 o'clock **(see fig.3)**.

With the handle attached ensure the temperature does not exceed 42°C when turned anti-clockwise to the fully hot position **(see fig.4)**.

Your valve setting is now commissioned.



Notes:

Guarantee

All VADO products come with a 2 year guarantee as standard. Within this guarantee period VADO will provide replacement parts and any labour **[SEE NOTE 1]** needed to complete the product repair.

This standard guarantee may be extended by registering your product to give up to a 12 year guarantee period. Once registered:

VADO chromed brassware and stainless steel products have a 12 year guarantee (2 years parts and labour plus 10 years parts only).

VADO Sensori Smart Touch and Smart Dial products have a 5 year guarantee (parts and labour).

VADO Identity and i-tech products have a 5 year guarantee (2 year parts and labour plus 3 years parts only).

All other VADO products have a 3 year guarantee (2 years parts and labour plus 1 year parts only) **[SEE NOTE 2]**.

VADO electric showers have a 2 years parts and labour guarantee.

Guarantee conditions

Our products are guaranteed against manufacturing defects from the date of purchase until the expiry of the relevant guarantee period shown above.

The guarantee is only valid if:

- The product has been installed, used and maintained in accordance with VADO's instructions and subjected to normal use only.
- The defect is not due to use of an unsuitable or inadequate water or power supply.
- The defect is not due to accident, misuse, neglect or incorrect/inappropriate repair (other than by VADO or VADO authorised agents) or damage caused by foreign objects or substances.
- The extended guarantee is only available if you have completed the Guarantee Registration Process.

This can be done via the VADO website or via phone to our aftersales team. Registration must be completed within 6 months from date of purchase.

Under the extended guarantee period VADO will, at its option, offer to supply any replacement product (or component part) assessed to be defective **[SEE NOTE 3]**.

The guarantee (whether standard or extended) is non-transferable to any subsequent owner.

All claims under the guarantee should be notified in the first instance to our Aftersales department, contact details below, this must be done no later than the last day of the relevant guarantee period. All claims must be accompanied by proof of purchase (sales receipt or delivery note) from an official VADO dealer.

The guarantee does not extend to any consequential loss or damage.

After repair or replacement, the relevant guarantee period will be calculated from the original date of purchase.

VADO operates a policy of continuous product development and therefore reserves the right to change the product, packaging and documentation specifications without notice.

NOTES:

[1] Labour via our engineer network is only available in the UK. Attendance by a VADO engineer or

sub- contract engineer will be under our standard terms and conditions.

[2] VADO spare parts and shower hoses are under a parts only guarantee.

[3] VADO reserves the right to charge in advance for a product (or replacement part) pending collection and investigation (at VADO expense) to confirm a defect is due to a manufacturing issue. If a defect is found the charge will be refunded or cancelled. This guarantee is in addition to and does not affect your statutory rights as a consumer.

Tel: 01934 745163

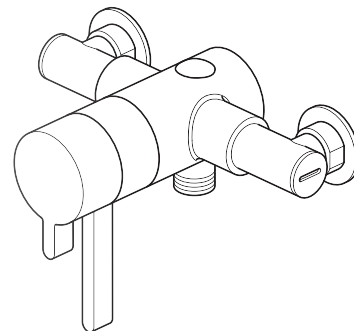
Email: aftersalescare@vado.com

WG-179M-CP

Concentric thermostatic mixing valve

User Guide

Keep for future reference



WHERE
INSPIRATION
FLOWS



Welcome

Thank you for choosing VADO

Our products can be found in some of the most prestigious hotel, commercial and residential developments across the world, therefore you can expect exceptional product quality and outstanding customer service.

This product has passed through stringent quality assurance processes coupled with demanding lifecycle mechanical testing to ensure it reaches the exacting standards that allow us to offer our premium 12 year guarantee.

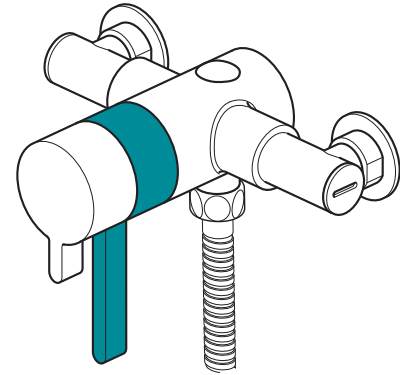
We work to ensure our product designs are harmonious with all sanitaryware, so when you choose VADO, your choice of coordinating items is unlimited.

With VADO, you can really let your inspiration flow.

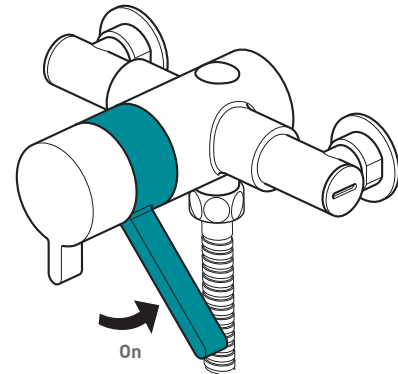
For any technical or operational queries please contact our experienced aftersales team on 01934 745163.

VADO, Wedmore Road, Cheddar, Somerset, England BS27 3EB
tel 01934 744466. fax 01934 744345
aftersales@vado.com
www.vado.com

Operation - Flow control

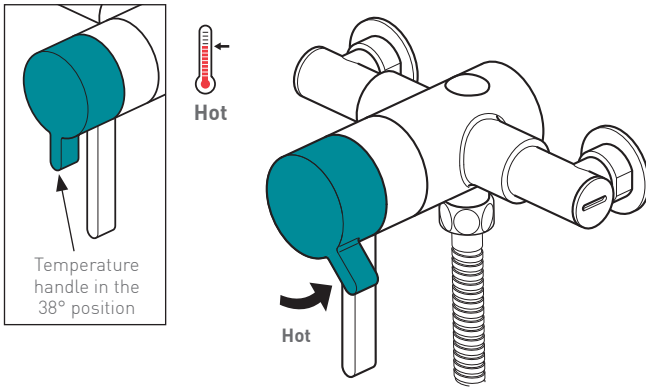


Flow control handle in the off position

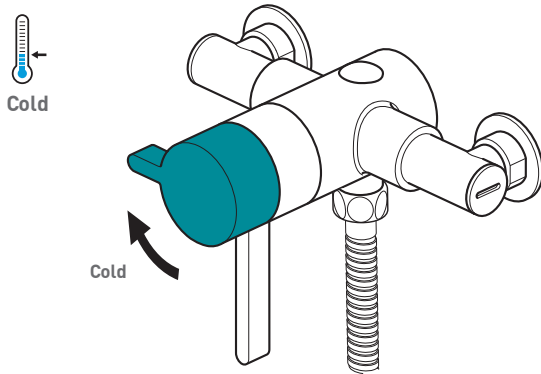


Moving the flow control handle lever to the right will increase the water flow

Operation - Temperature control



Moving the mixer lever to the right will increase the water temperature.



Moving the mixer lever to the left will decrease the water temperature.

Cleaning instructions:

The electroplating on this product is finished to the highest standard. Due care needs to be taken to ensure the appearance is retained.

We recommend cleaning all products with a soft damp cloth ONLY and advise strongly against the use of all aggressive/corrosive cleaning products i.e. powders and liquids. If these instructions are not followed, this may invalidate your guarantee in the event of a problem occurring.

Notes:

Notes: