

# SPECIFICATION SHEET

**COLLECTION:** CELSIUS

**PRODUCT CODE:** CEL-1701-1/2-11-C/P



**DESCRIPTION:**

Celsius

- exposed round thermostatic 1/2" shower valve
- Evolve 4 function slide rail shower kit
- easy-fit wall mounting brackets

thermostatic cartridge V-001C-PLA

flow cartridge C-202-RTC

minimum operating pressure 0.2 bar LP

kit comprises:

EVO-MFSRK-DB-C/P

CEL-149-1/2-C/P

WG-049BRACK+SHR-C/P

**FINISH:**

Chrome

**FLOW REGULATOR:**

FR-SHOWER/9-C/P

**MINIMUM OPERATING PRESSURE:**

0.2 bar LP



tel: 01934 744466

email: sales@vado.com

www.vado.com

**where inspiration flows**

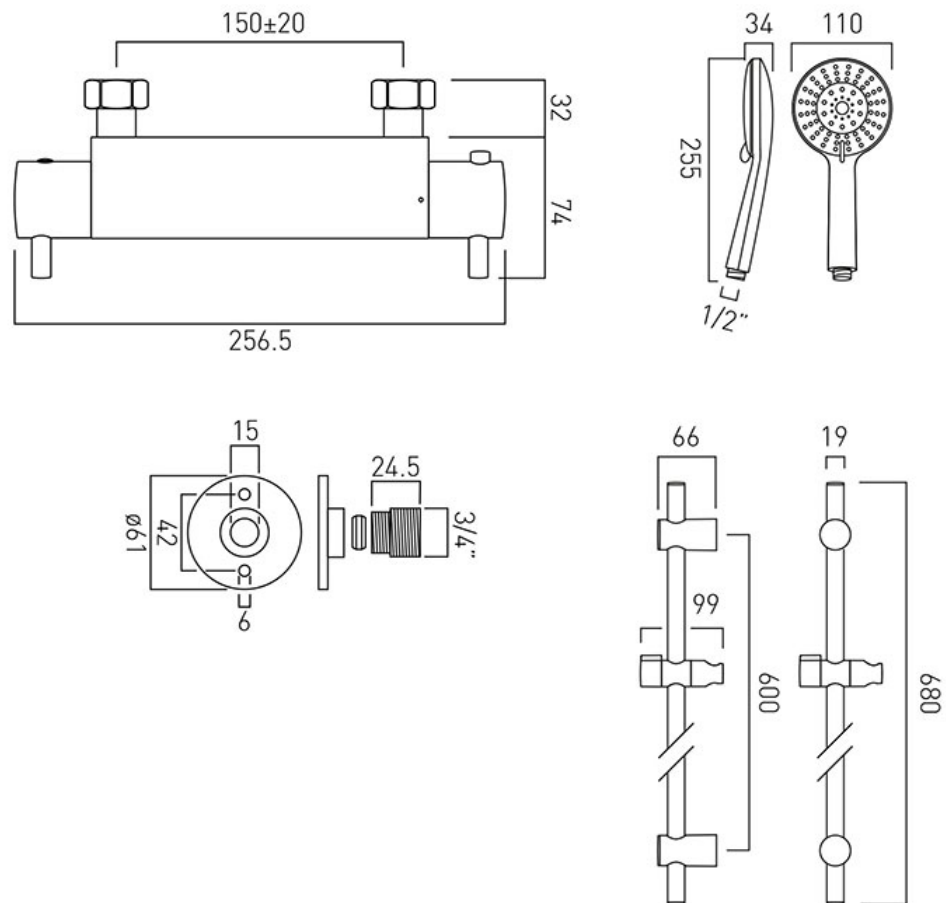
taps | showering | accessories



# TECHNICAL DRAWING

**COLLECTION:** CELSIUS

**PRODUCT CODE:** CEL-1701-1/2-11-C/P



tel: 01934 744466  
email: sales@vado.com  
www.vado.com

**where inspiration flows**  
taps | showering | accessories

