

# SPECIFICATION SHEET

**COLLECTION:** ATMOSPHERE

**PRODUCT CODE:** ATM-149RRK-RO-CP



## DESCRIPTION:

Atmosphere

- round thermostatic shower valve with integrated diverter and rigid riser
- Atmosphere 200mm (8") round shower head
- Atmosphere 5 function shower handset
- 232mm height adjustment tolerance:  
min 1016mm – max 1248mm
- 20mm depth adjustment tolerance:  
min 70mm – max 90mm
- offset connectors and easy-fit brackets included

ceramic cartridge V-001B-PLA

flow cartridge VEL-002A-C/P

minimum operating pressure 1.0 bar MP

## FINISH:

Chrome

## MINIMUM OPERATING PRESSURE:

1.0 bar MP



tel: 01934 744466  
email: sales@vado.com  
www.vado.com

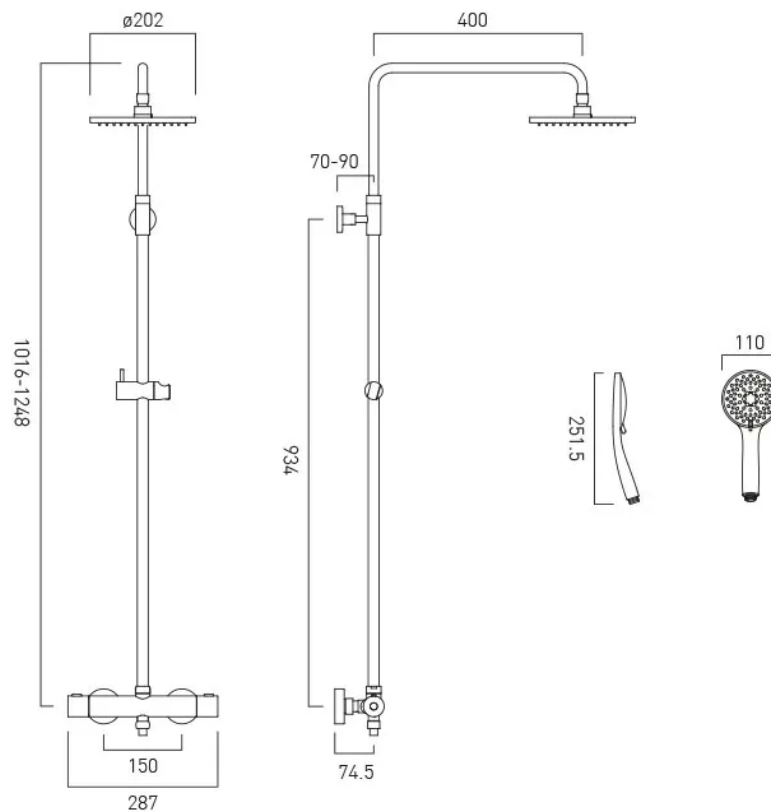
**where inspiration flows**  
taps | showering | accessories



# TECHNICAL DRAWING

**COLLECTION:** ATMOSPHERE

**PRODUCT CODE:** ATM-149RRK-RO-CP



tel: 01934 744466  
email: sales@vado.com  
www.vado.com

**where inspiration flows**  
taps | showering | accessories

