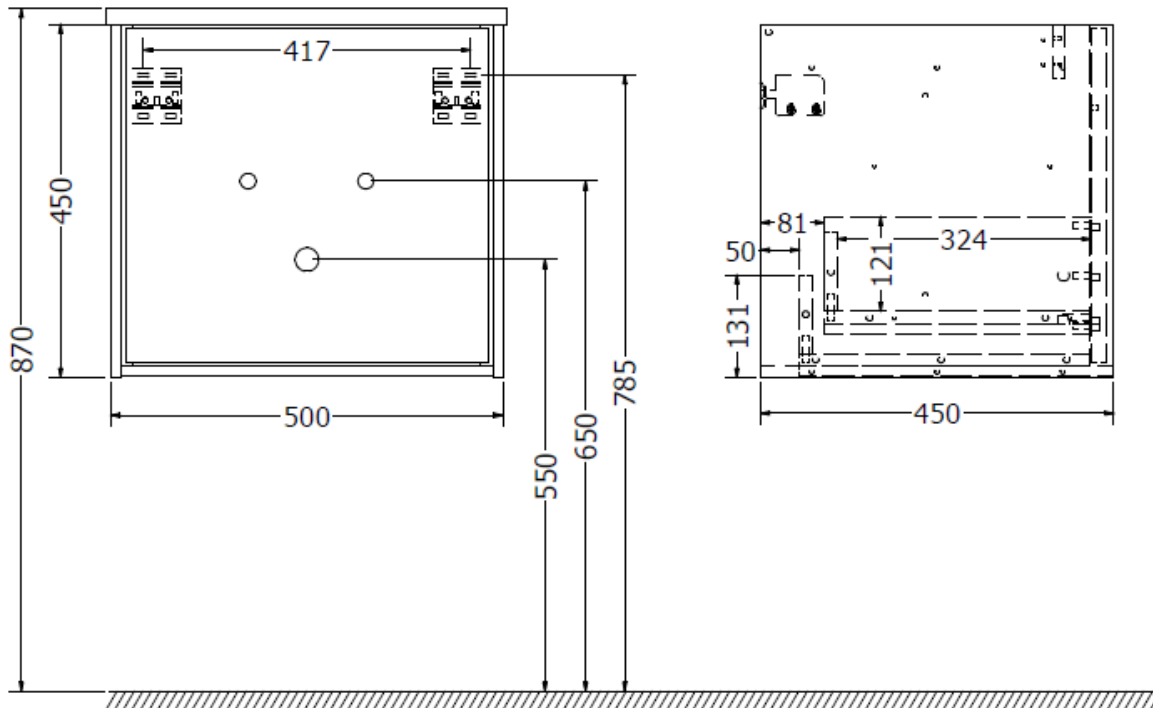


INFINITY 500mm FURNITURE

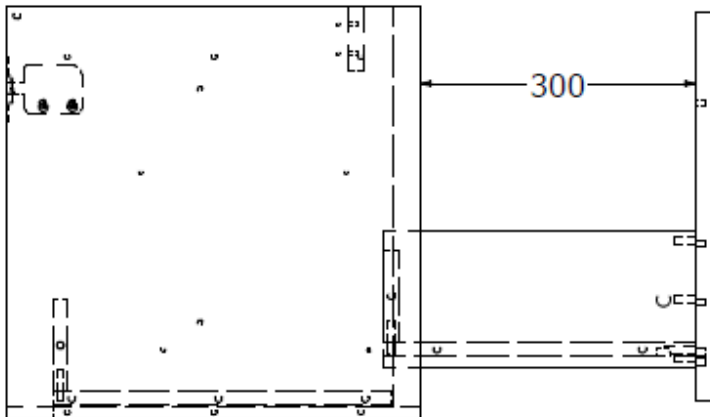
TECHNICAL DATA		SPECIFICATION	
CODE No UNIT	IF5000Dxx	Installation Information: The intended installation wall needs to be strong enough for the weight of the furniture and basin. Wall fixings for solid walls included. Laminate finishes/lacquer tested to ISO 22196 Measurement of antibacterial activity Graded Strong value of anit-bacterial effect A>3	
Required top	Worktop see prevailing Crosswater catalogue		
Recommended use:	Domestic, residential	Furniture Colours: Black Matt IF5000DBM EN622 type 5 Storm Grey Matt IF5000DSG EN622 type 5 White Gloss IF5000DWG EN622 type 5 Windsor Oak IF5000DWO EN622 type 5	
Dimension Unit	w 500 x d 450 x h 450mm		
Installation:	Wall Hung	Handle Colour options: IF_HANDLEC Chrome IF_HANDLEBM Matt Black IF_HANDLEF Brushed Brass effect IF_HANDLEV Stainless Steel Effect	
Materials:	Carcass and drawer front 18mm MDF Drawer set 18mm MDF		
Specification:	Full extension soft close drawers - 30kg weight capacity Anti-tip wall hangers 170Kg capacity		
Weight:	21kg		
Fitting:	Wall hangers integrated into carcass Wall brackets supplied		
Required Fitting:	Compatible to basin requirement		
Advised Fitting:	Space saving 50mm seal trap BTR0510W		
Option Accessories:	Handles - see right. Interior drawer and LED light bar		
Warranty	10 years on furniture		



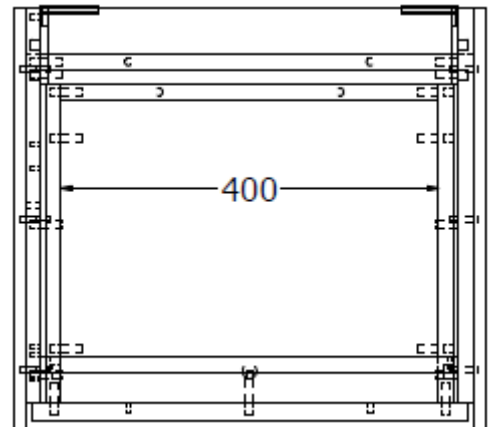
INFINITY 500mm FURNITURE

TECHNICAL DATA		SPECIFICATION	
CODE No UNIT	IF5000Dxx	Installation Information: The intended installation wall needs to be strong enough for the weight of the furniture and basin. Wall fixings for solid walls included. Laminate finishes/lacquer tested to ISO 22196 Measurement of antibacterial activity Graded Strong value of anit-bacterial effect A>3	
Required top	Worktop see prrvailing Crosswater catalogue		
Recommended use:	Domestic, residential		
Dimension Unit	w 500 x d 450 x h 450mm		
Installation:	Wall Hung	Furniture Colours: Black Matt IF5000DBM EN622 type 5 Storm Grey Matt IF5000DSG EN622 type 5 White Gloss IF5000DWG EN622 type 5 Windsor Oak IF5000DWO EN622 type 5	
Materials:	Carcass and drawer front 18mm MDF Drawer set 18mm MDF	Handle Colour options: IF_HANDLEC Chrome IF_HANDLEBM Matt Black IF_HANDLEF Brushed Brass effect IF_HANDLEV Stainless Steel Effect	
Specification:	Full extension soft close drawers - 30kg weight capacity Anti-tip wall hangers 170Kg capacity		
Weight:	21kg		
Fitting:	Wall hangers integrated into carcass Wall brackets supplied		
Required Fitting:	Compatible to basin requirement		
Advised Fitting:	Space saving 50mm seal trap BTR0510W		
Option Accessories:	Handles - see right. Interior drawer and LED light bar		
Warranty	10 years on furniture		

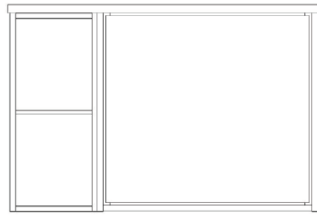
Side View—drawer extension



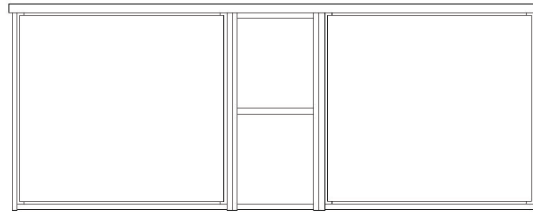
Plan View



INFINITY Base Link Unit



20+50



50+20+50

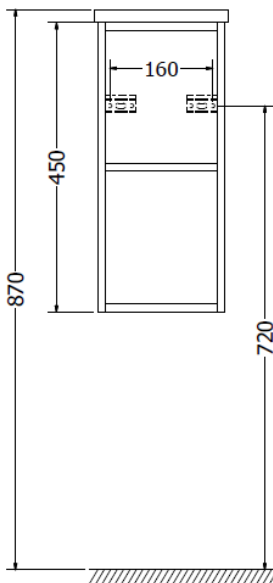
TECHNICAL DATA

CODE No UNIT	IF2052xx
Required top	Worktop see prevailing Crosswater catalogue Needs to be installed with IF500D
Recommended use:	Domestic, residential
Dimension Unit	w 200 x d 450 x h 450mm
Installation:	Wall Hung
Materials:	Carcass 18mm MDF
Weight:	12kg
Fitting:	Wall hangers integrated into carcass Wall brackets and side connectors supplied
Warranty	10 years on furniture

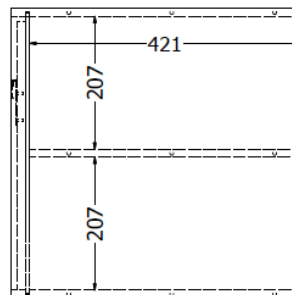
SPECIFICATION

Installation Information: The intended installation wall needs to be strong enough for the weight of the furniture and basin. Wall fixings for solid walls included.		
Laminate finishes/lacquer tested to ISO 22196		
Measurement of antibacterial activity Graded Strong value of anit-bacterial effect A>3		
Furniture Colours:		
Black Matt	IF2052BM	EN622 type 5
Storm Grey Matt	IF2052SG	EN622 type 5
White Gloss	IF2052WG	EN622 type 5
Windsor Oak	IF2052WO	EN622 type 5

Front view



Side view



BATHROOM FURNITURE RANGE

INFINITY

Worktop	
	IF5100T+ 510mm 4Kg
	IF7100T+ 710mm 6Kg
	IF9100T+ 910mm 7Kg
	IF1010T+ 1010mm 8Kg
	IF1210T+ 1210mm 9Kg
	IF1410T+ 1410mm 10Kg

500 Basin Unit	
	IF5000D 20Kg

200 Basin Unit	
	IF2052 12Kg

To ensure full working use of the drawers we recommend the use of basin furniture trap BTR01410W.



Tools & equipment needed: Drill, 8mm Suitable drill bit, Screwdriver, Spirit level, Ruler/tape measure, Pencil, Silicone sealant (clear).



IMPORTANT - Advice and safety - Please read before installation

Please read these instructions carefully before starting installation and keep in a safe place for future reference.

Check the contents of the pack carefully before installation. Crosswater will not be held responsible for any de-fit / re-fit costs where faulty product has been fitted.

If any fault is found with materials or workmanship, it must be reported immediately to the manufacturer. Remedial action will be taken, based on information received, on condition that:

1. Full details are supplied to the manufacturer; 2. The product has not been modified or tampered with; 3. The manufacturer is informed of any damage/shortages prior to installation.

We do not accept responsibility for any problems that may occur through incorrect installation.



Advice & Safety

This product should only be installed by a suitably qualified Plumber/installer. Should the installation be completed by a non-qualified person any product guarantee maybe considered invalid. For a claim made under our warranty written certification of your installers qualifications can be required.

It is advised that all doors and drawers are removed prior to fitting to avoid unnecessary damage occurring. Ensure the room is well heated and ventilated.

It is recommended that walls are fully tiled before furniture and accessory installation. This ensures that the product is installed flat to the tile face and allows product to be easily removed if required in the future.

These instructions have been prepared for your guidance, you must exercise due care always.

Please note that some units are heavy. Always take care when lifting, and follow health and safety guidelines. It is recommended that 2 people carry out the installation of larger basin/vanity units.

Warning! Please check for any hidden pipes or electrical cables before drilling holes in the floor or walls.

When using power tools always follow the manufacturer's user instructions.

Do not over tighten tap or waste fittings, doing so may result in damaging the basin.

The vanity units **CAN ONLY BE** installed using the fitting brackets supplied. Before installing a wooden bathroom product into a new property, extension or recently plastered room we strongly advise the building/room is completely dry, well ventilated and adequately heated prior to installation.

Care & Cleaning.

NEVER use products containing bleach, cleaners of a gritty or abrasive nature or so called "glass and mirror" cleaning products. Use a well wrung chamois leather or microfiber cloth for furniture carcasses.

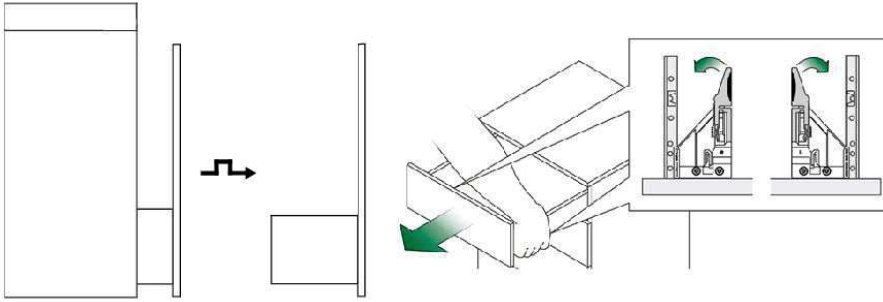
Ceramic fine fire clay wash basins should only be cleaned with a mild detergent or warm soapy water; in hard water areas a good quality limescale remover can be applied.

If any maintenance is required, then it must be carried out by a qualified Plumber.

INSTALLATION INSTRUCTIONS

One Drawer Basin Unit & Basin Installation - 500 Basin Unit

Step 1

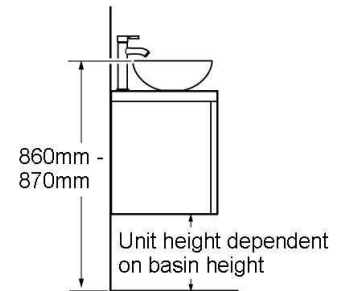


Pull out the drawer to its full extension, gently squeeze the locking levers outwards on both sides and pull the drawer off the runners at the front.

Step 2

Plan unit position

Decide on the position and height of the unit. The recommended basin heights are between 860mm and 870mm from floor to top of basin.



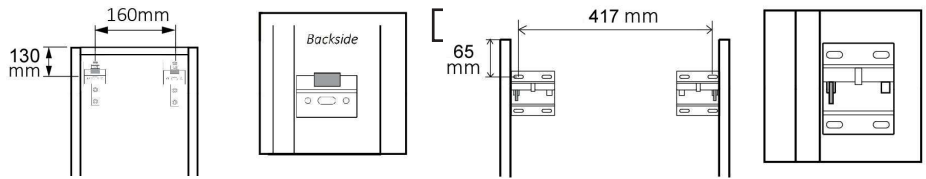
Step 3

a / Base Unit 200

a / Base Unit 500

Remove the drawer

Remove the drawer before installation.



'Wall bracket' installation

a: Place unit in the required position.

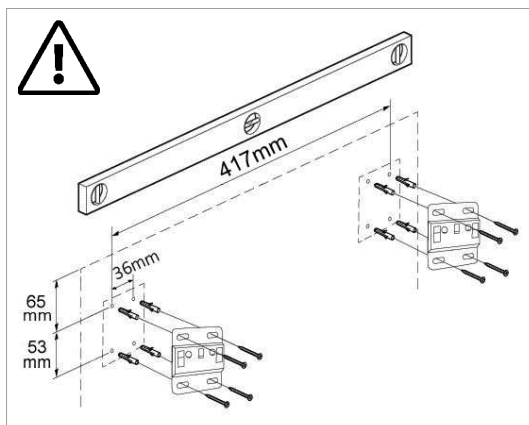
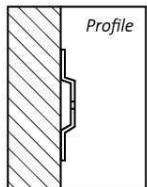
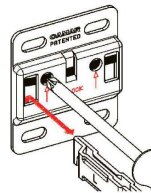
b: Mark the bracket fixing holes onto the wall. Drill \varnothing 8mm holes, insert the wall plugs supplied on solid walls, use suitable wall fixings for dry-wall (not supplied).

Important: If the basin unit and/or basin are not fitted level this may result in the basin not draining correctly.

b / Base Unit 500

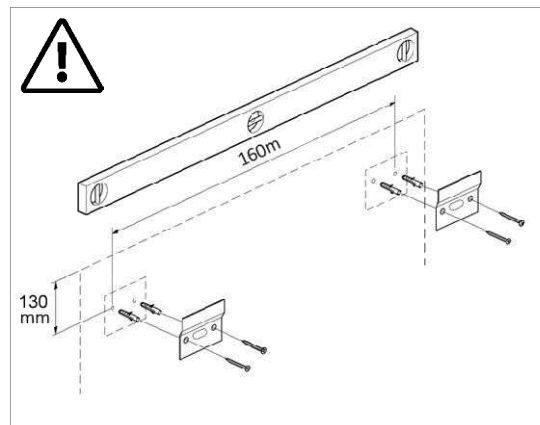
weight capacity per set of brackets is 172Kg

Removing bracket from the wall

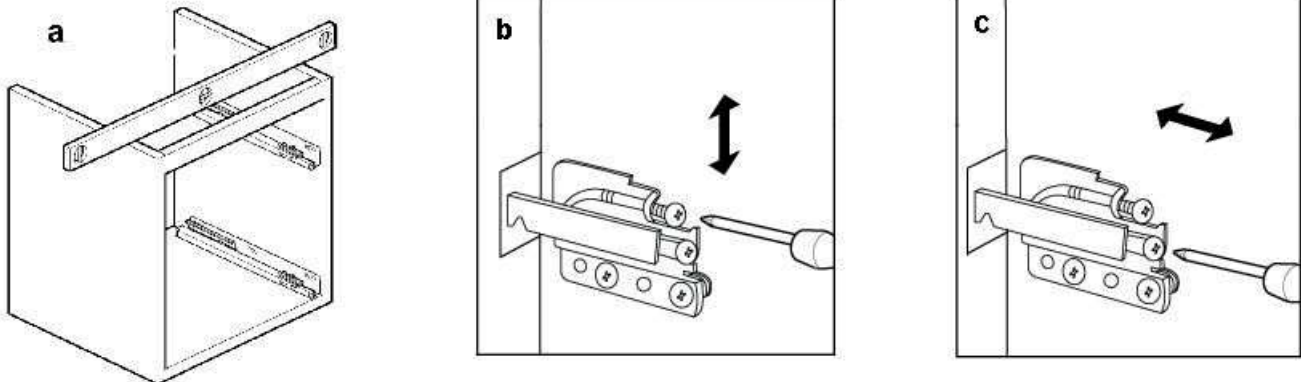


b / Base Unit 200

weight capacity per set of brackets is 154Kg



Step 4



a. Check the unit is level. If levelling is required, use a screwdriver to adjust the hanging position. **b.** To lift or lower the unit, adjust the screw shown. **c.** To move the unit closer or further from the wall, adjust the screw shown.

Step 5

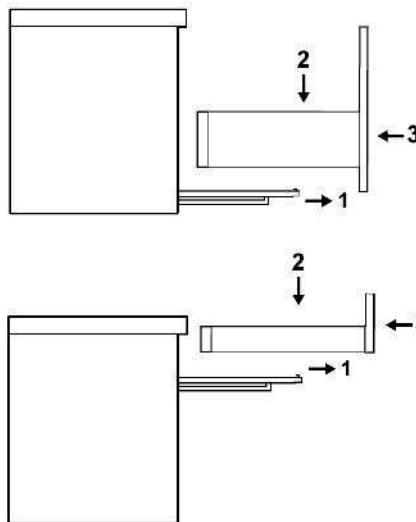
Re-fit drawers:

(should be after furniture assembly below but before drawer adjustment)

- 1: Pull drawer runners fully out.
- 2: Set the drawer down onto the runners.
- 3: Push the drawer fully in.

Test to make sure the drawers operate correctly and there are no obstructions behind the drawer.

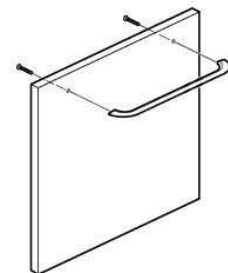
The internal drawer is optional and should be installed before the worktop is fitted. Please installation guide supplied with the product.



Step 6

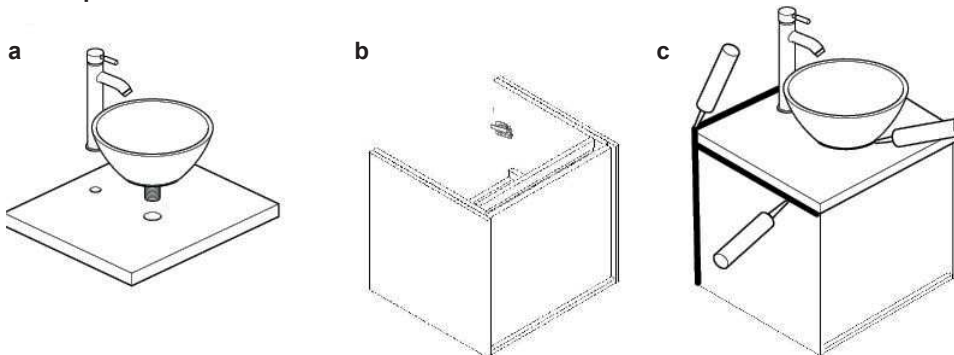
Attach drawer handle

(should be after re-fit drawer but before drawer adjustment) (pre-fitted on inside of drawer) Attach the handle to the drawer front.



Step 7

Worktop / Basin Installation



a: Prepare worktop for tap/s and basin. Cut holes where required using a suitable sized hole cutter.

b: Carefully apply silicone to the top edges of the unit.

c: Carefully position the worktop down onto the unit, ensure it is centrally positioned and flush at the back.

Connect the tap and waste. Apply silicone to the join between the worktop and wall, down sides of the unit and around the base of the basin.

Leave silicone, 24 hours to dry.

Important: All cut edges **MUST** be sealed with water proof sealant or exterior wood vernish.

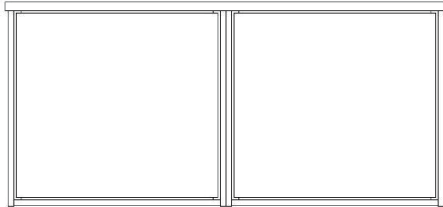
Note: Basin waste and taps fittings when over tightened can create stress within the basin material which may in time cause the failure of the product. Waste fittings should be carefully bedded in silicone and the back-nut

hang tightened an additional quarter turn using a suitable spanner is sufficient to create the required water light seal. Care should also be taken when fitting brassware to tap platforms in order to prevent similar stress related failures.

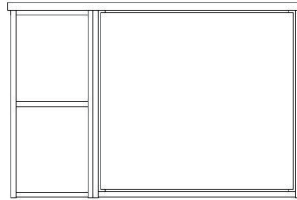
BATHROOM FURNITURE ASSEMBLY

HANGING THE FURNITURE

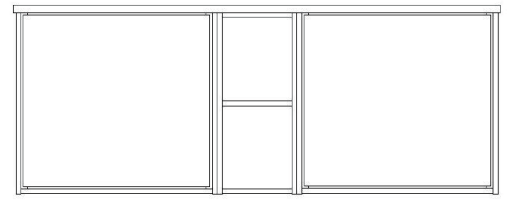
When installing two or more units, ensure the units are correctly positioned side by side, front to back and in height - the base of each unit should be level as shown in examples below.



50+50

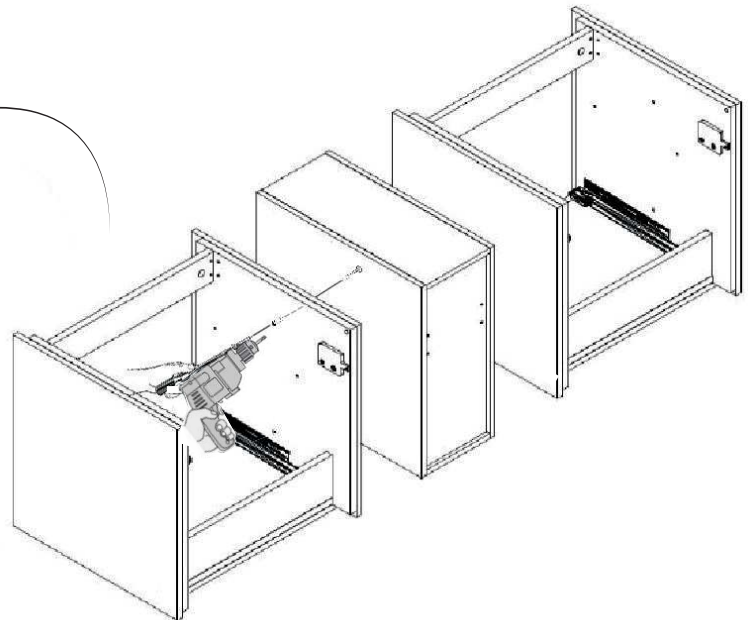
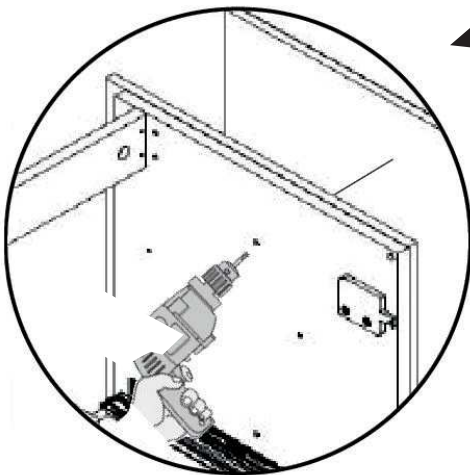


20+50

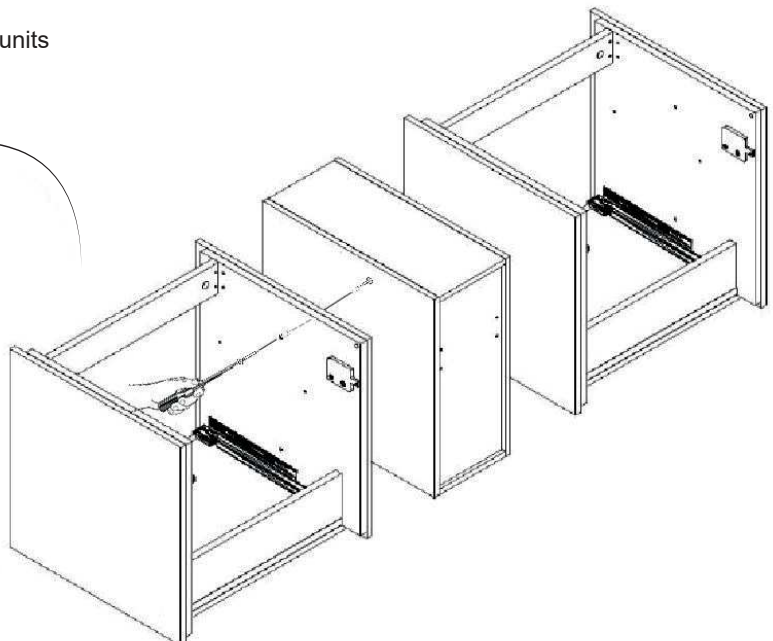
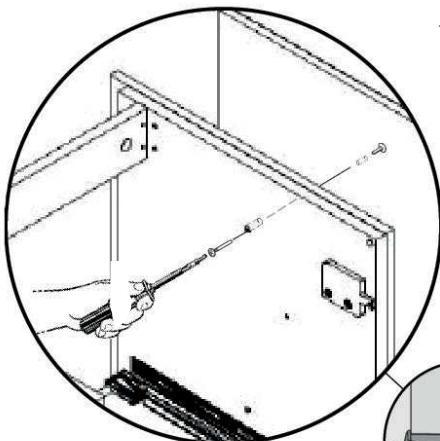


50+20+50

The internal carcass sides are pre-drilled for installing adjoining units as shown below



Using connector bolts provided secure the adjoining units



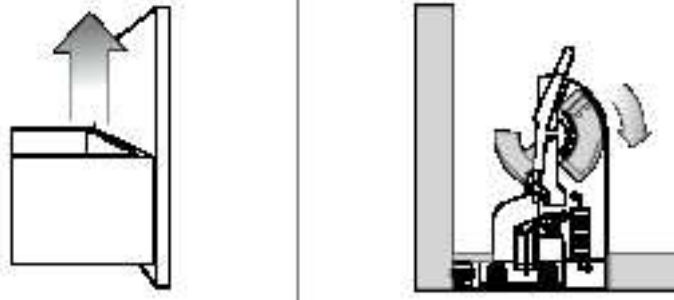
DRAWER RUNNER ADJUSTMENT

The weight capacity for drawer is 40Kg

Each drawer is fully aligned and tested during production. If adjustment is required please follow the guidelines below:

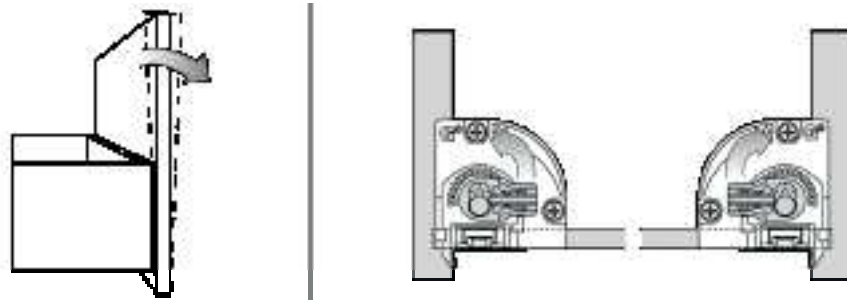
Step 1 Front height adjustment

Max. + 3.5 mm



Step 2 Front tilt adjustment

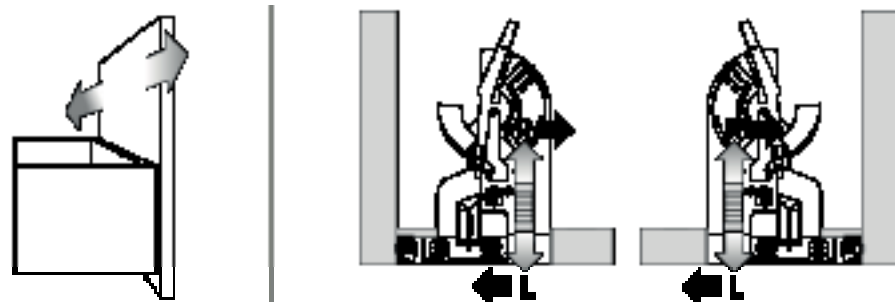
Max. + 4.0 mm



Move the green tab until the front tilt is adjusted.

Step 3 Left/Right adjustment

Max. \pm 1.5 mm



Turn the green wheel up to adjust right and down to adjust left.

Fitting of Tiled Drawer fronts

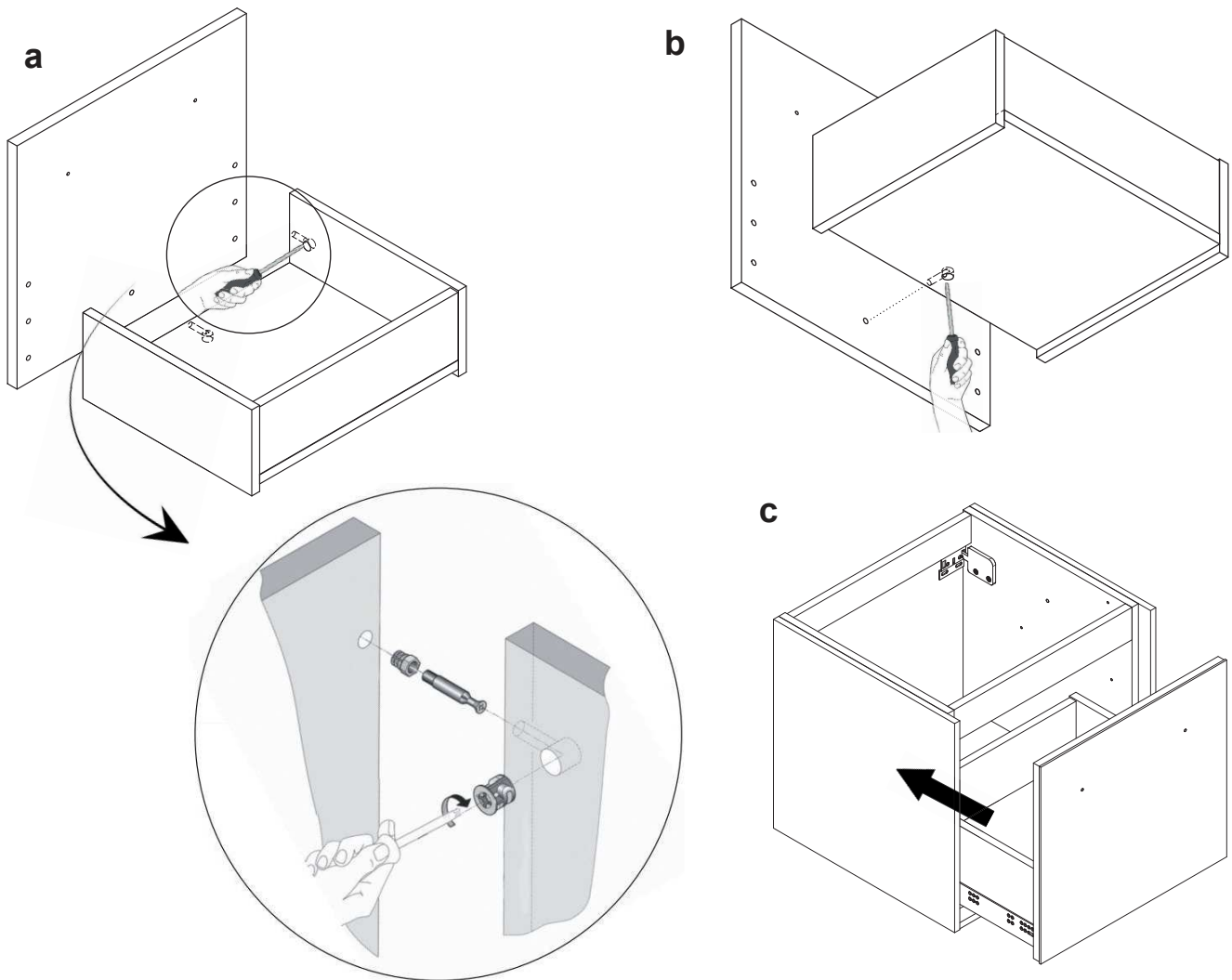
STEP 1: Removal of pre-fitted drawer

- a Remove the inside cam bolts as shown below
 - b Remove cam bolt on drawer underside as shown
- The front can now be removed.

STEP 2: Fitting of tiled drawer front


Insert the front panel onto the drawer sides secure in place

- a. Secure side cambolts first
- b. secure underside cambolt
- c. replace drawer correctly in carcass



Worktop	Worktop	500 Basin Unit	200 Basin Unit
<p>IF5100T+ 510mm 4Kg</p>	<p>IF05000SPW 9kg</p>	<p>IF5000D 20KGS</p>	<p>IF2052 12KGS</p>
<p>IF7100T+ 710mm 6Kg</p>	<p>IF0700SPW_LH 13Kg</p>		
<p>IF9100T+ 910mm 7Kg</p>	<p>IF0700SPW_RH 13kg</p>	<p>IF5000D 20KGS</p>	
<p>IF1010T+ 1010mm 8Kg</p>	<p>IF09000SPW 16Kg</p>		
<p>IF1210T+ 1210mm 9Kg</p>	<p>IF1000SPW 18Kg</p>	<p>IF5000D 20KGS</p>	
<p>IF1410T+ 1410mm 10Kg</p>	<p>IF1000SPW_RH 18Kg</p>		
	<p>IF1000SPW_LH 18Kg</p>	<p>IF5000D 20KGS</p>	
	<p>IF12000SPW 21Kg</p>		
	<p>IF1200SPW_RH 21Kg</p>	<p>IF5000D 20KGS</p>	
	<p>IF1200SPW_LH 21Kg</p>		
	<p>IF14000SPW 26Kg</p>	<p>x2</p>	<p>x4</p>
		<p>x8</p>	<p>x2</p>

To ensure full working use of the drawers we recommend the use of basin furniture trap BTR01410W.



Tools & equipment needed: Drill, 8mm Suitable drill bit, Screwdriver, Spirit level, Ruler/tape measure, Pencil, Silicone sealant (clear).

IMPORTANT - Advice and safety - Please read before installation

Please read these instructions carefully before starting installation and keep in a safe place for future reference.

Check the contents of the pack carefully before installation. Crosswater will not be held responsible for any de-fit / re-fit costs where faulty product has been fitted.

If any fault is found with materials or workmanship, it must be reported immediately to the manufacturer. Remedial action will be taken, based on information received, on condition that:

1. Full details are supplied to the manufacturer; 2. The product has not been modified or tampered with; 3. The manufacturer is informed of any damage/shortages prior to installation.

We do not accept responsibility for any problems that may occur through incorrect installation.

Advice & Safety

This product should only be installed by a suitably qualified Plumber/installer. Should the installation be completed by a non-qualified person any product guarantee maybe considered invalid. For a claim made under our warranty written certification of your installers qualifications can be required.

It is advised that all doors and drawers are removed prior to fitting to avoid unnecessary damage occurring.

Ensure the room is well heated and ventilated.

It is recommended that walls are fully tiled before furniture and accessory installation. This ensures that the product is installed flat to the tile face and allows product to be easily removed if required in the future.

These instructions have been prepared for your guidance, you must exercise due care always.

Please note that some units are heavy. Always take care when lifting, and follow health and safety guidelines. It is recommended that 2 people carry out the installation of larger basin/vanity units.

Warning! Please check for any hidden pipes or electrical cables before drilling holes in the floor or walls.

When using power tools always follow the manufacturer's user instructions.

Do not over tighten tap or waste fittings, doing so may result in damaging the basin.

The vanity units CAN ONLY BE installed using the fitting brackets supplied. Before installing a wooden bathroom product into a new property, extension or recently plastered room we strongly advise the building/room is completely dry, well ventilated and adequately heated prior to installation.

Care & Cleaning.

NEVER use products containing bleach, cleaners of a gritty or abrasive nature or so called "glass and mirror" cleaning products. Use a well wrung chamois leather or microfiber cloth for furniture carcasses.

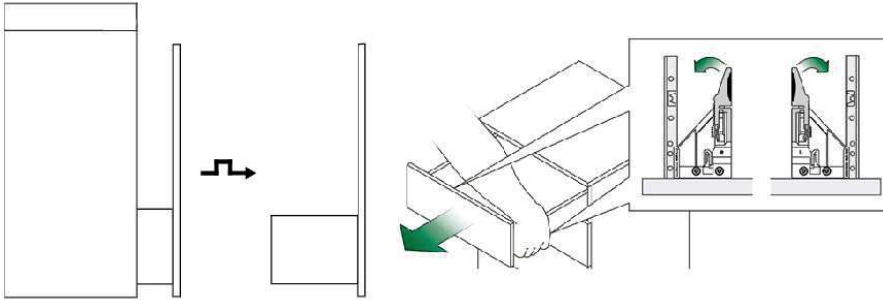
Ceramic fine fire clay, solid surface wash basins and worktops should only be cleaned with a mild detergent or warm soapy water; in hard water areas a good quality limescale remover can be applied.

If any maintenance is required, then it must be carried out by a qualified Plumber.

INSTALLATION INSTRUCTIONS

One Drawer Basin Unit & Basin Installation - 500 Basin Unit

Step 1

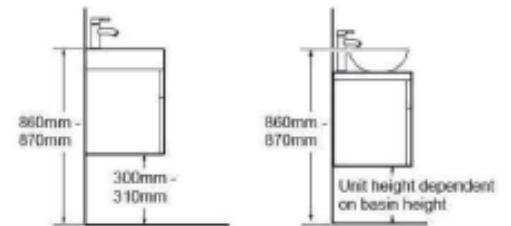


Pull out the drawer to its full extension, gently squeeze the locking levers outwards on both sides and pull the drawer off the runners at the front.

Step 2

Plan unit position

Decide on the position and height of the unit. The recommended basin heights are between 860mm and 870mm from floor to top of basin.



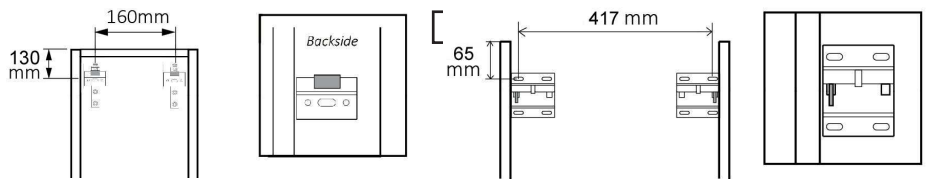
Step 3

a / Base Unit 200

a / Base Unit 500

Remove the drawer

Remove the drawer before installation.



'Wall bracket' installation

a: Place unit in the required position.

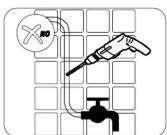
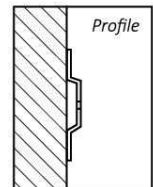
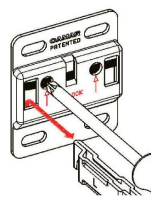
b: Mark the bracket fixing holes onto the wall. Drill \varnothing 8mm holes, insert the wall plugs supplied on solid walls, use suitable wall fixings for dry-wall (not supplied).

Important: If the basin unit and/or basin are not fitted level this may result in the basin not draining correctly.

b / Base Unit 500

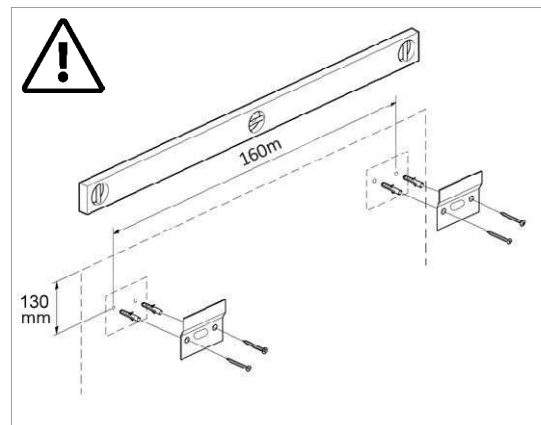
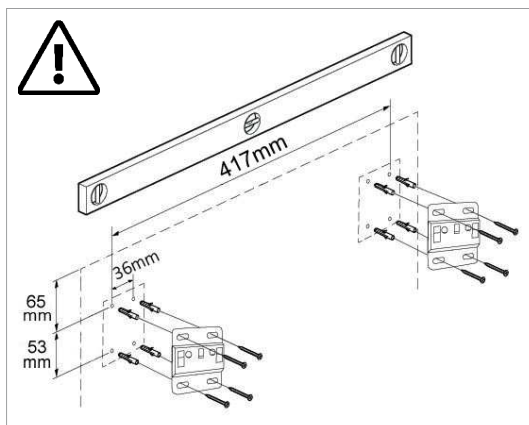
weight capacity per set of brackets is 172Kg

Removing bracket from the wall

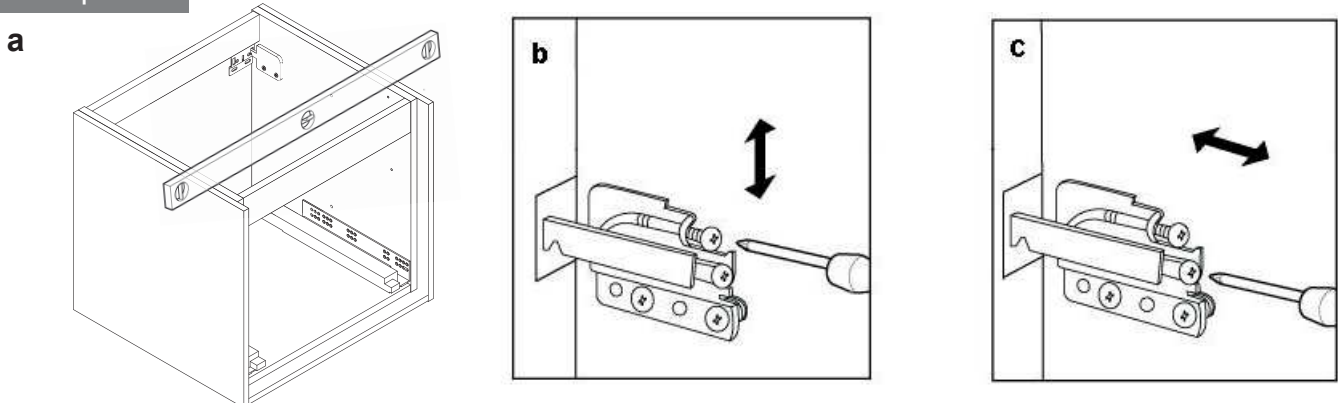


b / Base Unit 200

weight capacity per set of brackets is 154Kg



Step 4



a. Check the unit is level. If levelling is required, use a screwdriver to adjust the hanging position. **b.** To lift or lower the unit, adjust the screw shown. **c.** To move the unit closer or further from the wall, adjust the screw shown.

Step 5

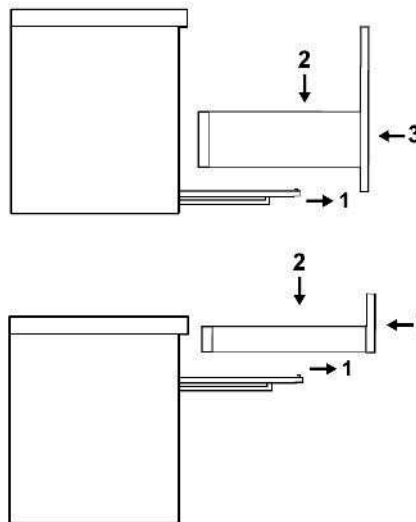
Re-fit drawers:

(should be after furniture assembly below but before drawer adjustment)

- 1: Pull drawer runners fully out.
- 2: Set the drawer down onto the runners.
- 3: Push the drawer fully in.

Test to make sure the drawers operate correctly and there are no obstructions behind the drawer.

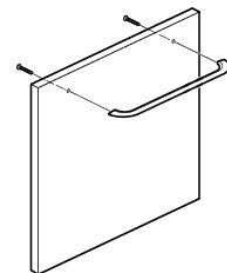
The internal drawer is optional and should be installed before the worktop is fitted. Please installation guide supplied with the product.



Step 6

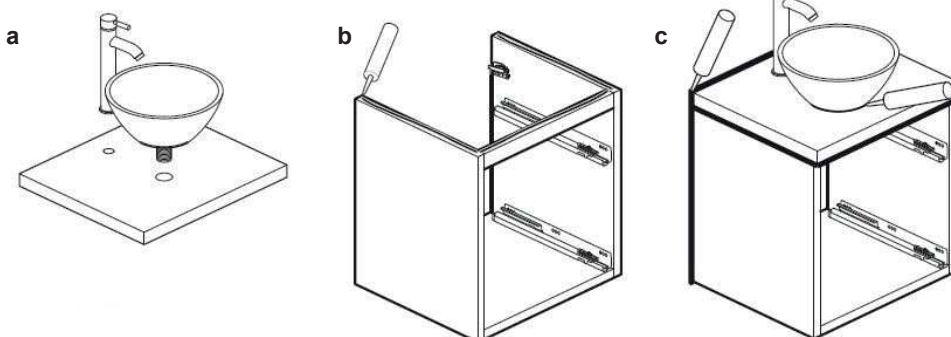
Attach drawer handle

(should be after re-fit drawer but before drawer adjustment) (pre-fitted on inside of drawer) Attach the handle to the drawer front.



Step 7

Worktop / Basin Installation



a: Prepare worktop for tap/s and basin. Cut holes where required using a suitable sized hole cutter.

b: Carefully apply silicone to the top edges of the unit.

c: Carefully position the worktop down onto the unit, ensure it is centrally positioned and flush at the back.

Connect the tap and waste. Apply silicone to the join between the worktop and wall, down sides of the unit and around the base of the basin.

Leave silicone, 24 hours to dry.

Important: All cut edges **MUST** be sealed with water proof sealant or exterior wood vernish.

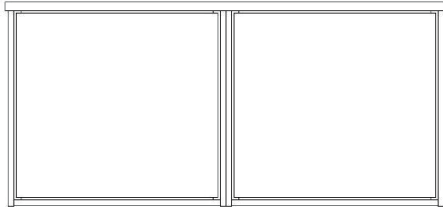
Note: Basin waste and taps fittings when over tightened can create stress within the basin material which may in time cause the failure of the product. Waste fittings should be carefully bedded in silicone and the back-nut

hang tightened an additional quarter turn using a suitable spanner is sufficient to create the required water light seal. Care should also be taken when fitting brassware to tap platforms in order to prevent similar stress related failures.

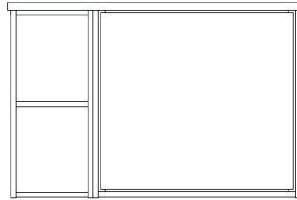
BATHROOM FURNITURE ASSEMBLY

HANGING THE FURNITURE

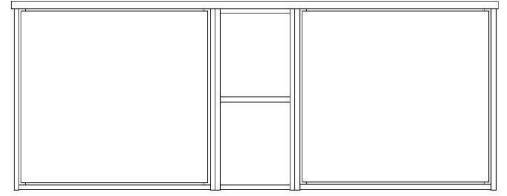
When installing two or more units, ensure the units are correctly positioned side by side, front to back and in height - the base of each unit should be level as shown in examples below.



50+50

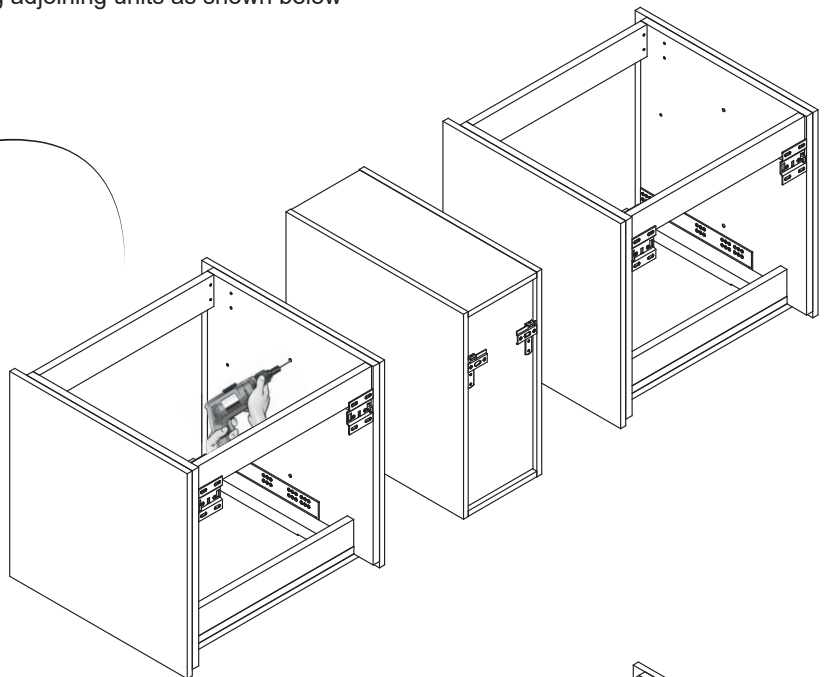
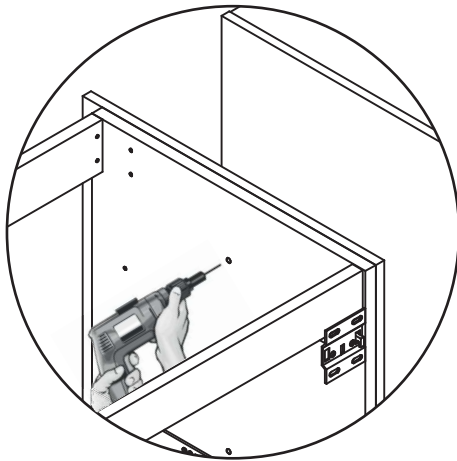


20+50

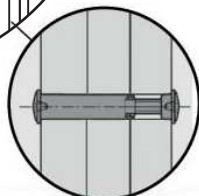
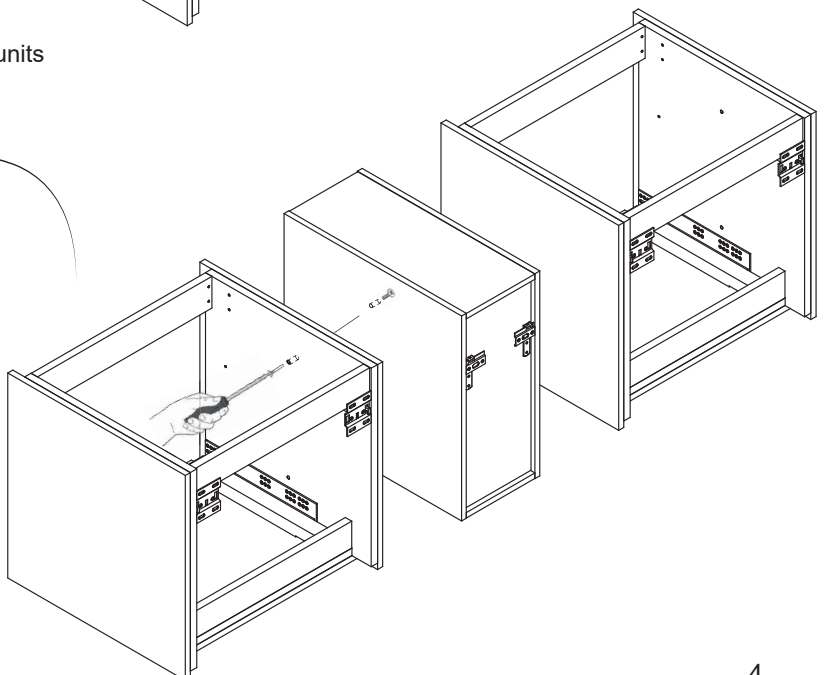
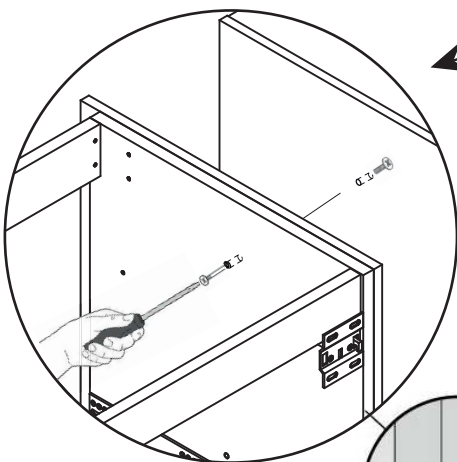


50+20+50

The internal carcass sides are pre-drilled for installing adjoining units as shown below



Using connector bolts provided secure the adjoining units



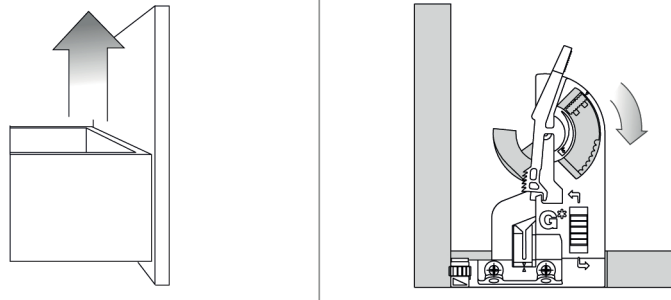
DRAWER RUNNER ADJUSTMENT

The weight capacity for drawer is 40Kg

Each drawer is fully aligned and tested during production. If adjustment is required please follow the guidelines below:

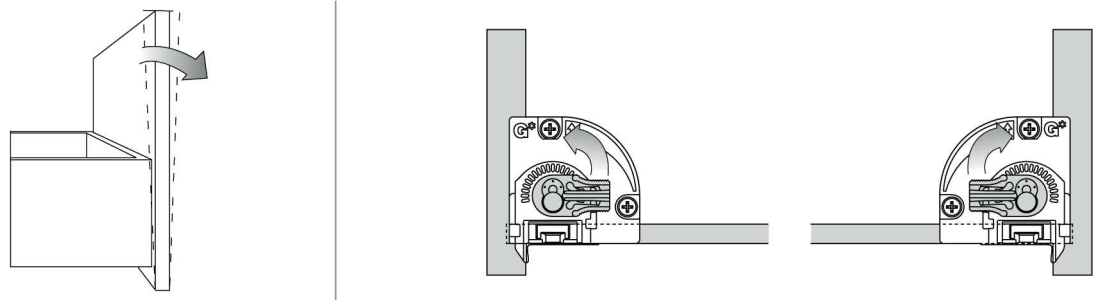
Step 1 Front height adjustment

Max. + 3.5 mm



Step 2 Front tilt adjustment

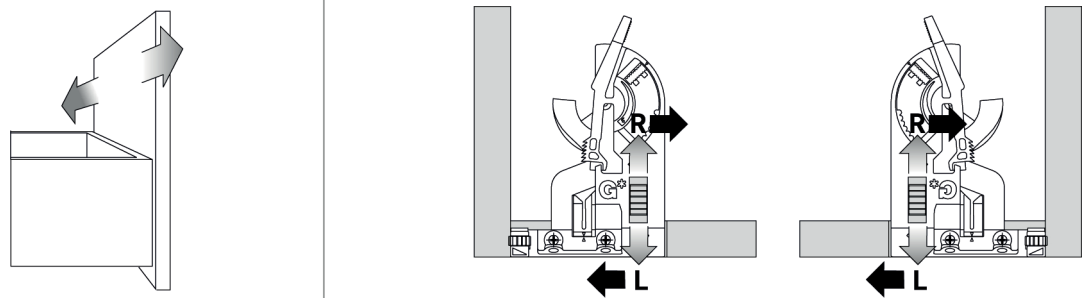
Max. + 4.0 mm



Move the green tab until the front tilt is adjusted.

Step 3 Left/Right adjustment

Max. ± 1.5 mm



Turn the green wheel up to adjust right and down to adjust left.

Fitting of Tiled Drawer fronts

STEP 1: Removal of pre-fitted drawer

- a Remove the inside cam bolts as shown below
 - b Remove cam bolt on drawer underside as shown
- The front can now be removed.

STEP 2: Fitting of tiled drawer front

Insert the front panel onto the drawer sides secure in place

- a. Secure side cambolts first
- b. secure underside cambolt
- c. replace drawer correctly in carcass

