

Measurements in millimetres mm

Information updated July 2020

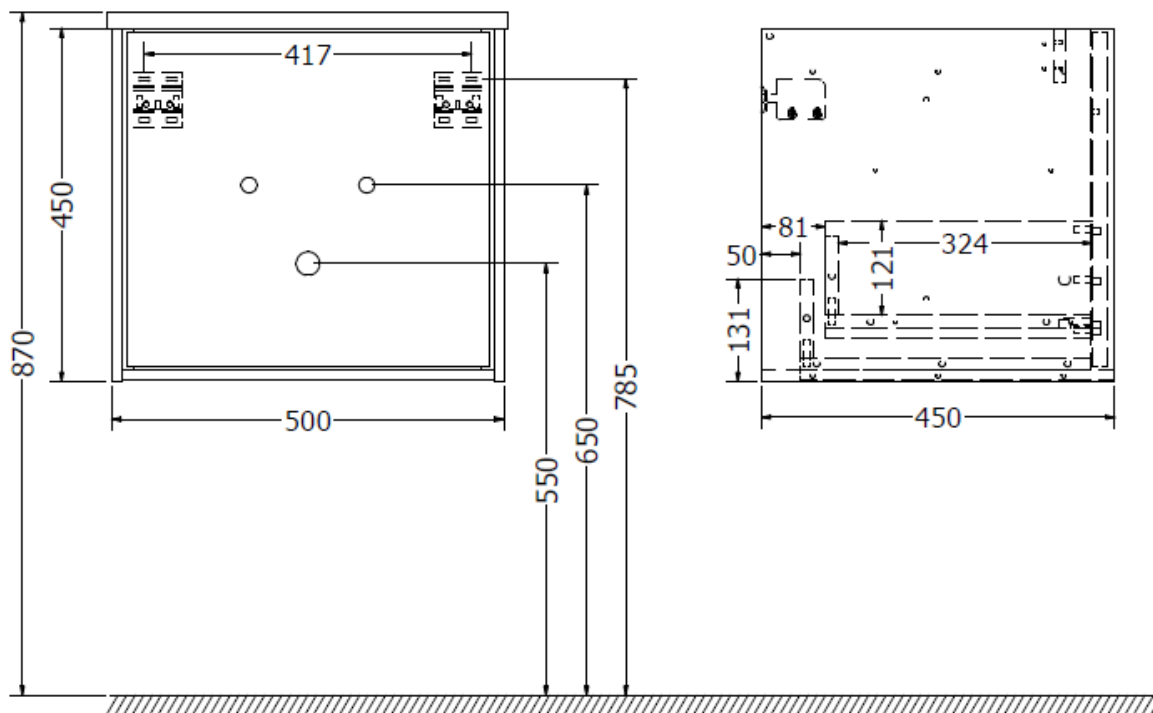
Tel 0345 873 8840



## INFINITY 500mm FURNITURE



TECHNICAL DATA		SPECIFICATION	
<b>CODE No UNIT</b>	IF5000Dxx	<b>Installation Information:</b> The intended installation wall needs to be strong enough for the weight of the furniture and basin. Wall fixings for solid walls included.	
<b>Required top</b>	Worktop see prevailing Crosswater catalogue	Laminate finishes/lacquer tested to ISO 22196 Measurement of antibacterial activity Graded Strong value of anit-bacterial effect A>3	
<b>Recommended use:</b>	Domestic, residential	<b>Furniture Colours:</b>	
<b>Dimension Unit</b>	w 500 x d 450 x h 450mm	Black Matt	IF5000DBM EN622 type 5
<b>Installation:</b>	Wall Hung	Storm Grey Matt	IF5000DSG EN622 type 5
<b>Materials:</b>	Carcass and drawer front 18mm MDF Drawer set 18mm MDF	White Gloss	IF5000DWG EN622 type 5
<b>Specification:</b>	Full extension soft close drawers - 30kg weight capacity Anti-tip wall hangers 170Kg capacity	Windsor Oak	IF5000DWO EN622 type 5
<b>Weight:</b>	21kg	<b>Handle Colour options:</b>	
<b>Fitting:</b>	Wall hangers integrated into carcass Wall brackets supplied	IF_HANDLEC	Chrome
<b>Required Fitting:</b>	Compatible to basin requirement	IF_HANDLEBM	Matt Black
<b>Advised Fitting:</b>	Space saving 50mm seal trap BTR0510W	IF_HANDLEF	Brushed Brass effect
<b>Option Accessories:</b>	Handles - see right. Interior drawer and LED light bar	IF_HANDLEV	Stainless Steel Effect
<b>Warranty</b>	10 years on furniture		



Measurements in millimetres mm

Information updated July 2020

Tel 0345 873 8840



## INFINITY 500mm FURNITURE



### TECHNICAL DATA

<b>CODE No UNIT</b>	IF5000Dxx
<b>Required top</b>	Worktop see prevailing Crosswater catalogue
<b>Recommended use:</b> Domestic, residential	
<b>Dimension Unit</b>	w 500 x d 450 x h 450mm
<b>Installation:</b>	Wall Hung
<b>Materials:</b>	Carcass and drawer front 18mm MDF Drawer set 18mm MDF
<b>Specification:</b>	Full extension soft close drawers - 30kg weight capacity Anti-tip wall hangers 170Kg capacity
<b>Weight:</b>	21kg
<b>Fitting:</b>	Wall hangers integrated into carcass Wall brackets supplied
<b>Required Fitting:</b>	Compatible to basin requirement
<b>Advised Fitting:</b>	Space saving 50mm seal trap BTR0510W
<b>Option Accessories:</b>	Handles - see right. Interior drawer and LED light bar
<b>Warranty</b>	10 years on furniture

### SPECIFICATION

**Installation Information:** The intended installation wall needs to be strong enough for the weight of the furniture and basin. Wall fixings for solid walls included.  
Laminate finishes/lacquer tested to ISO 22196  
Measurement of antibacterial activity Graded Strong  
value of anit-bacterial effect A>3

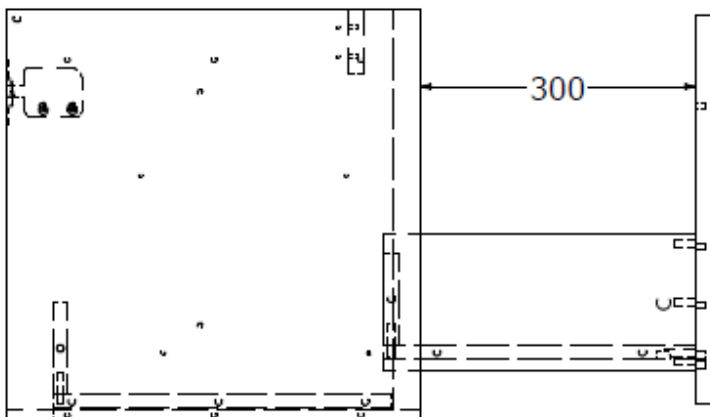
#### Furniture Colours:

Black Matt	IF5000DBM	EN622 type 5
Storm Grey Matt	IF5000DSG	EN622 type 5
White Gloss	IF5000DWG	EN622 type 5
Windsor Oak	IF5000DWO	EN622 type 5

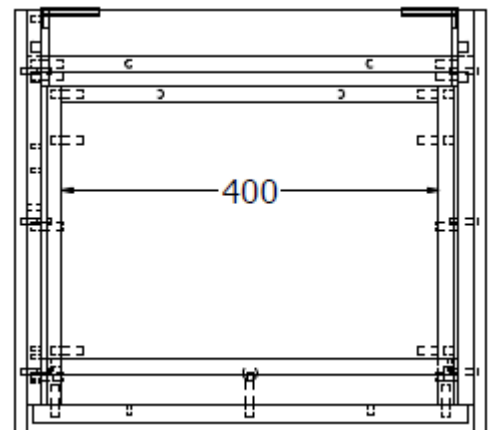
#### Handle Colour options:

IF_HANDLEC	Chrome
IF_HANDLEBM	Matt Black
IF_HANDLEF	Brushed Brass effect
IF_HANDLEV	Stainless Steel Effect

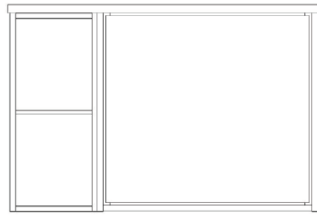
Side View—drawer extension



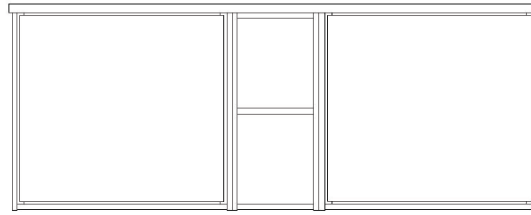
Plan View



## INFINITY Base Link Unit



20+50



50+20+50

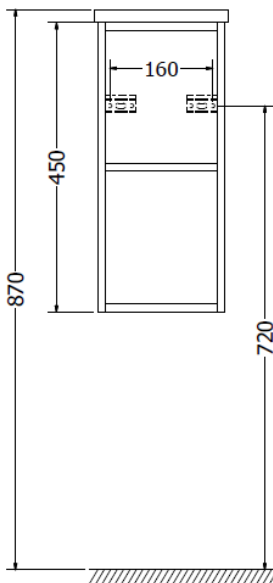
### TECHNICAL DATA

<b>CODE No UNIT</b>	IF2052xx
<b>Required top</b>	Worktop see prevailing Crosswater catalogue Needs to be installed with IF500D
<b>Recommended use:</b>	Domestic, residential
<b>Dimension Unit</b>	w 200 x d 450 x h 450mm
<b>Installation:</b>	Wall Hung
<b>Materials:</b>	Carcass 18mm MDF
<b>Weight:</b>	12kg
<b>Fitting:</b>	Wall hangers integrated into carcass Wall brackets and side connectors supplied
<b>Warranty</b>	10 years on furniture

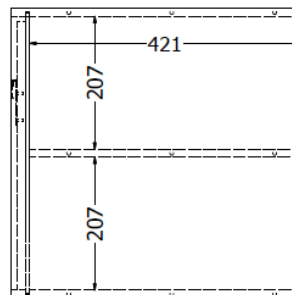
### SPECIFICATION

<b>Installation Information:</b> The intended installation wall needs to be strong enough for the weight of the furniture and basin. Wall fixings for solid walls included.		
Laminate finishes/lacquer tested to ISO 22196		
Measurement of antibacterial activity Graded Strong value of anit-bacterial effect A>3		
<b>Furniture Colours:</b>		
Black Matt	IF2052BM	EN622 type 5
Storm Grey Matt	IF2052SG	EN622 type 5
White Gloss	IF2052WG	EN622 type 5
Windsor Oak	IF2052WO	EN622 type 5

Front view



Side view



# PRODUCT DATA SHEET



PRODUCT CODE

IF700SPW\_LH

RANGE

INFINITY

DESCRIPTION

700mm Basin 0TH LH Polar White

COLOUR Polar White

COLOUR CODE/ REFERENCE Crosswater Exclusive

MATERIAL Minerva Solid Surface

STANDARDS EN 31  
EN 14688 - CLO

INSTALLATION TYPE Furniture Mounted

CAPACITY OF WATER AT OVERFLOW LEVEL 4.2 L

BASIN WASTE SIZE 45mm

TAP HOLES 0

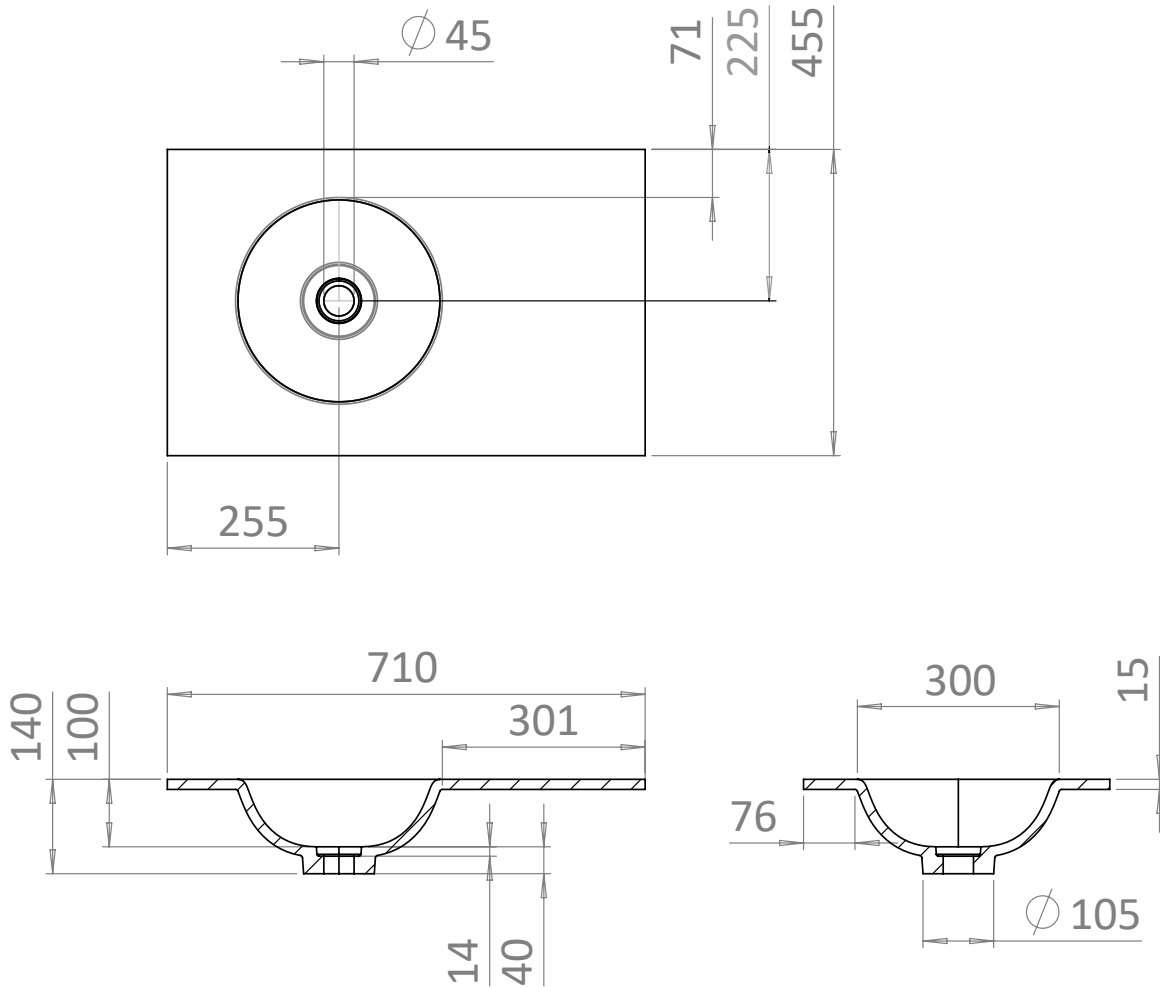
OVERFLOW No

WARRANTY 10 Years

## TECHNICAL DIMENSIONS

Dimensions in mm unless otherwise specified.

Tolerances (per material type) apply.



V10522

# BATHROOM FURNITURE RANGE


# INFINITY

Worktop	
	IF5100T+ 510mm 4Kg
	IF7100T+ 710mm 6Kg
	IF9100T+ 910mm 7Kg
	IF1010T+ 1010mm 8Kg
	IF1210T+ 1210mm 9Kg
	IF1410T+ 1410mm 10Kg

500 Basin Unit	
	IF5000D 20Kg

200 Basin Unit	
	IF2052 12Kg

To ensure full working use of the drawers we recommend the use of basin furniture trap BTR01410W.



**Tools & equipment needed:** Drill, 8mm Suitable drill bit, Screwdriver, Spirit level, Ruler/tape measure, Pencil, Silicone sealant (clear).



## IMPORTANT - Advice and safety - Please read before installation

**Please read these instructions carefully before starting installation and keep in a safe place for future reference.**

Check the contents of the pack carefully before installation. Crosswater will not be held responsible for any de-fit / re-fit costs where faulty product has been fitted.

If any fault is found with materials or workmanship, it must be reported immediately to the manufacturer. Remedial action will be taken, based on information received, on condition that:

1. Full details are supplied to the manufacturer; 2. The product has not been modified or tampered with; 3. The manufacturer is informed of any damage/shortages prior to installation.

We do not accept responsibility for any problems that may occur through incorrect installation.



### Advice & Safety

This product should only be installed by a suitably qualified Plumber/installer. Should the installation be completed by a non-qualified person any product guarantee maybe considered invalid. For a claim made under our warranty written certification of your installers qualifications can be required.

It is advised that all doors and drawers are removed prior to fitting to avoid unnecessary damage occurring. Ensure the room is well heated and ventilated.

It is recommended that walls are fully tiled before furniture and accessory installation. This ensures that the product is installed flat to the tile face and allows product to be easily removed if required in the future.

These instructions have been prepared for your guidance, you must exercise due care always.

Please note that some units are heavy. Always take care when lifting, and follow health and safety guidelines. It is recommended that 2 people carry out the installation of larger basin/vanity units.

**Warning!** Please check for any hidden pipes or electrical cables before drilling holes in the floor or walls.

When using power tools always follow the manufacturer's user instructions.

Do not over tighten tap or waste fittings, doing so may result in damaging the basin.

The vanity units CAN ONLY BE installed using the fitting brackets supplied. Before installing a wooden bathroom product into a new property, extension or recently plastered room we strongly advise the building/room is completely dry, well ventilated and adequately heated prior to installation.

### Care & Cleaning.

**NEVER** use products containing bleach, cleaners of a gritty or abrasive nature or so called "glass and mirror" cleaning products. Use a well wrung chamois leather or microfiber cloth for furniture carcasses.

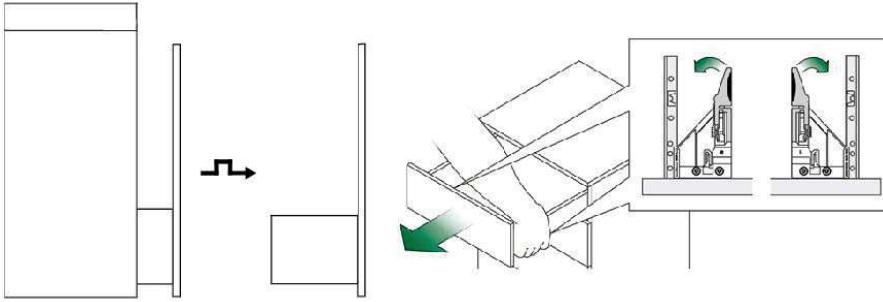
Ceramic fine fire clay wash basins should only be cleaned with a mild detergent or warm soapy water; in hard water areas a good quality limescale remover can be applied.

If any maintenance is required, then it must be carried out by a qualified Plumber.

## INSTALLATION INSTRUCTIONS

### One Drawer Basin Unit & Basin Installation - 500 Basin Unit

#### Step 1

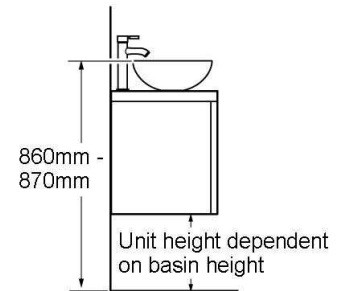


Pull out the drawer to its full extension, gently squeeze the locking levers outwards on both sides and pull the drawer off the runners at the front.

#### Step 2

##### Plan unit position

Decide on the position and height of the unit. The recommended basin heights are between 860mm and 870mm from floor to top of basin.



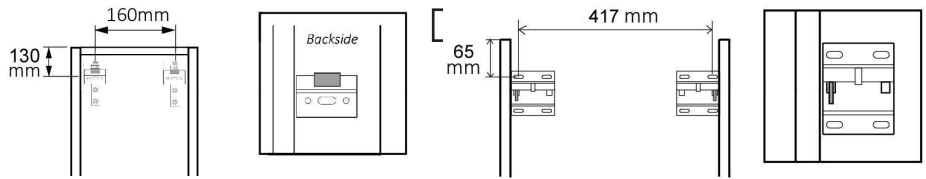
#### Step 3

##### a / Base Unit 200

##### a / Base Unit 500

##### Remove the drawer

Remove the drawer before installation.



##### 'Wall bracket' installation

a: Place unit in the required position.

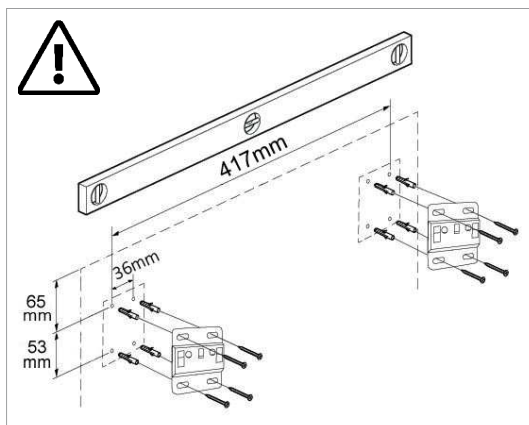
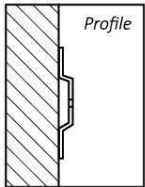
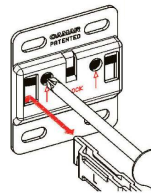
b: Mark the bracket fixing holes onto the wall. Drill  $\varnothing$  8mm holes, insert the wall plugs supplied on solid walls, use suitable wall fixings for dry-wall (not supplied).

**Important:** If the basin unit and/or basin are not fitted level this may result in the basin not draining correctly.

##### b / Base Unit 500

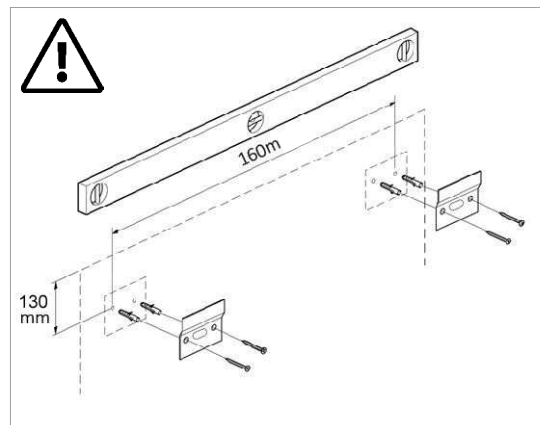
weight capacity per set of brackets is 172Kg

Removing bracket from the wall

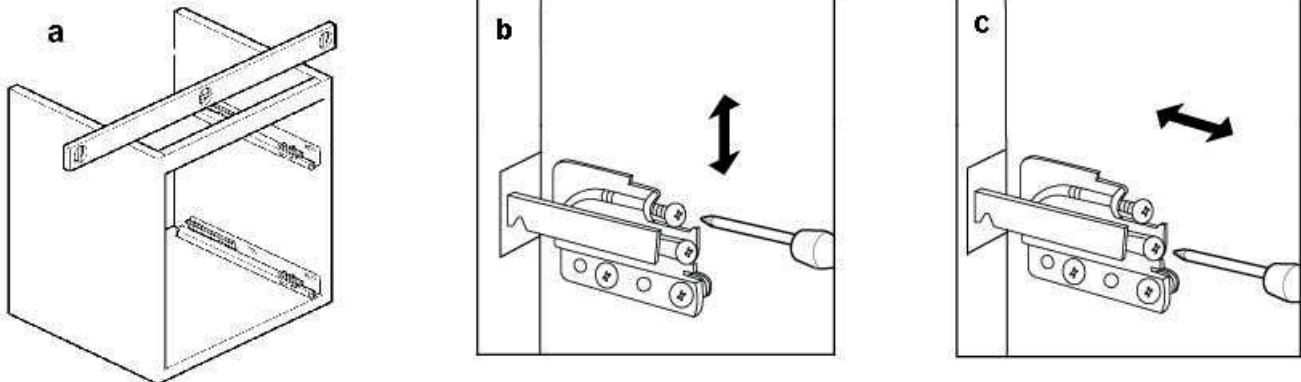


##### b / Base Unit 200

weight capacity per set of brackets is 154Kg



## Step 4



**a.** Check the unit is level. If levelling is required, use a screwdriver to adjust the hanging position. **b.** To lift or lower the unit, adjust the screw shown. **c.** To move the unit closer or further from the wall, adjust the screw shown.

## Step 5

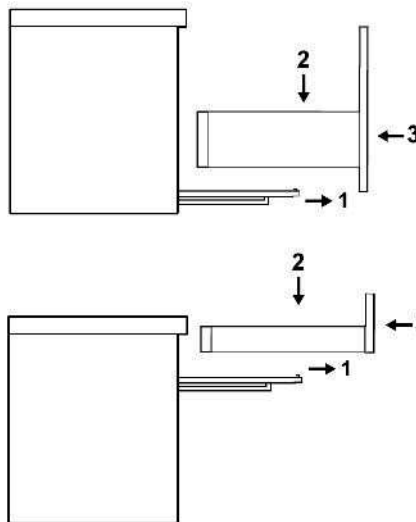
### Re-fit drawers:

(should be after furniture assembly below but before drawer adjustment)

- 1: Pull drawer runners fully out.
- 2: Set the drawer down onto the runners.
- 3: Push the drawer fully in.

Test to make sure the drawers operate correctly and there are no obstructions behind the drawer.

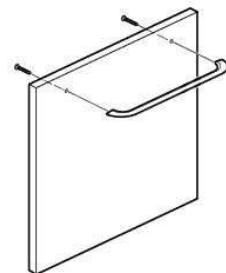
The internal drawer is optional and should be installed before the worktop is fitted. Please installation guide supplied with the product.



## Step 6

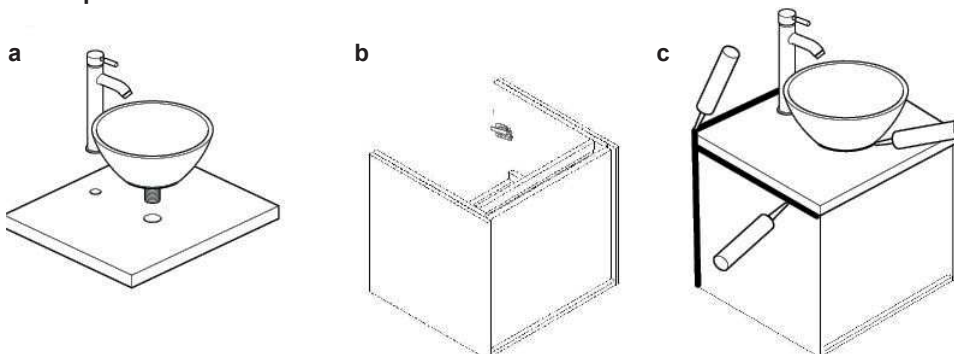
### Attach drawer handle

(should be after re-fit drawer but before drawer adjustment) (pre-fitted on inside of drawer) Attach the handle to the drawer front.



## Step 7

### Worktop / Basin Installation



**a:** Prepare worktop for tap/s and basin. Cut holes where required using a suitable sized hole cutter.

**b:** Carefully apply silicone to the top edges of the unit.

**c:** Carefully position the worktop down onto the unit, ensure it is centrally positioned and flush at the back.

Connect the tap and waste. Apply silicone to the join between the worktop and wall, down sides of the unit and around the base of the basin.

Leave silicone, 24 hours to dry.

**Important:** All cut edges **MUST** be sealed with water proof sealant or exterior wood vernish.

**Note:** Basin waste and taps fittings when over tightened can create stress within the basin material which may in time cause the failure of the product. Waste fittings should be carefully bedded in silicone and the back-nut

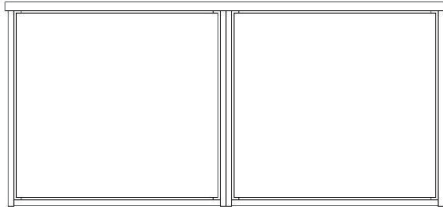
hang tightened an additional quarter turn using a suitable spanner is sufficient to create the required water light seal. Care should also be taken when fitting brassware to tap platforms in order to prevent similar stress related failures.



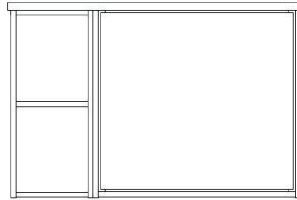
## BATHROOM FURNITURE ASSEMBLY

### HANGING THE FURNITURE

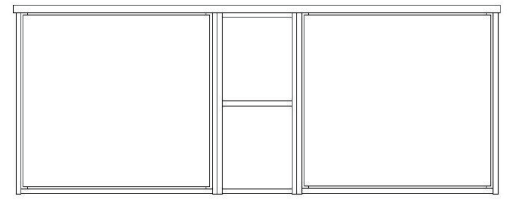
When installing two or more units, ensure the units are correctly positioned side by side, front to back and in height - the base of each unit should be level as shown in examples below.



50+50

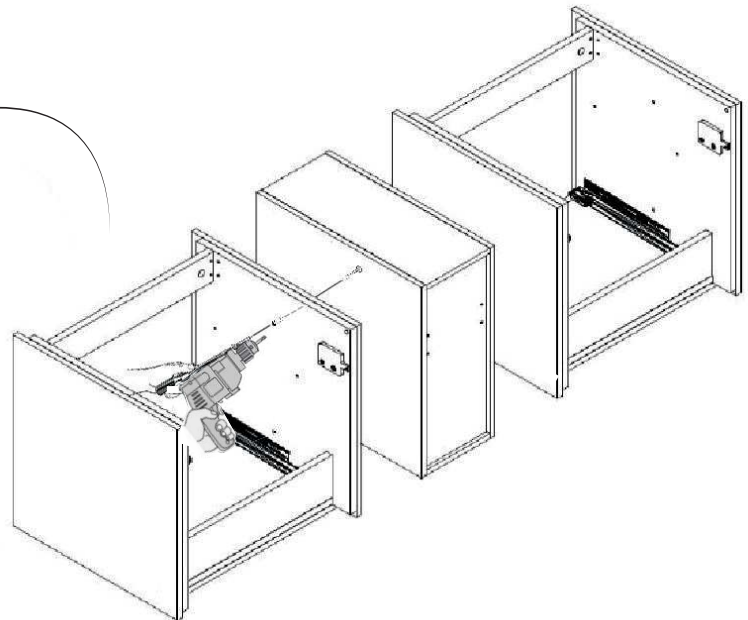
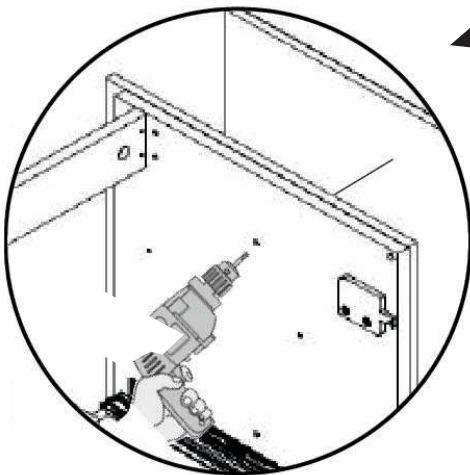


20+50

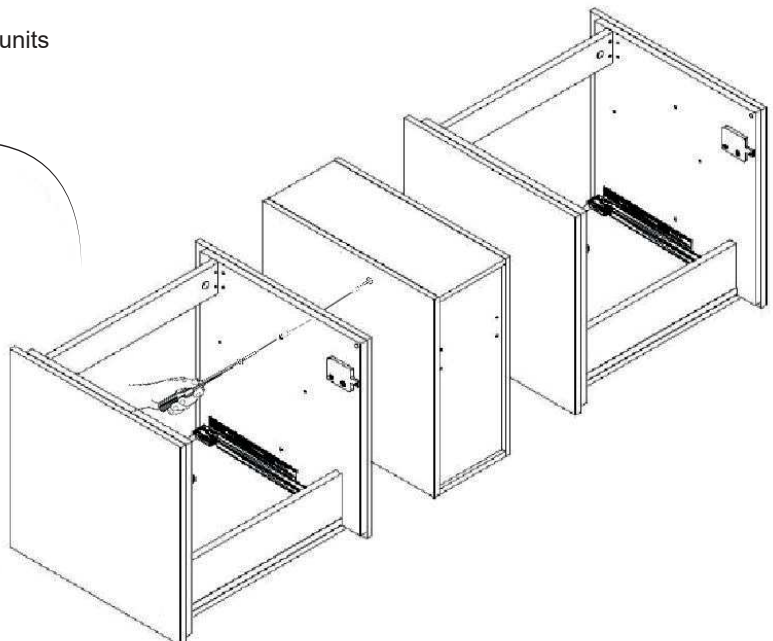
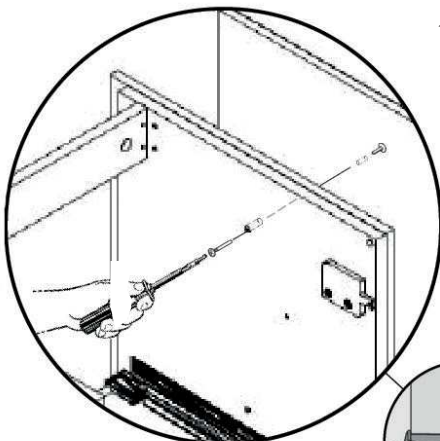


50+20+50

The internal carcass sides are pre-drilled for installing adjoining units as shown below



Using connector bolts provided secure the adjoining units



## DRAWER RUNNER ADJUSTMENT

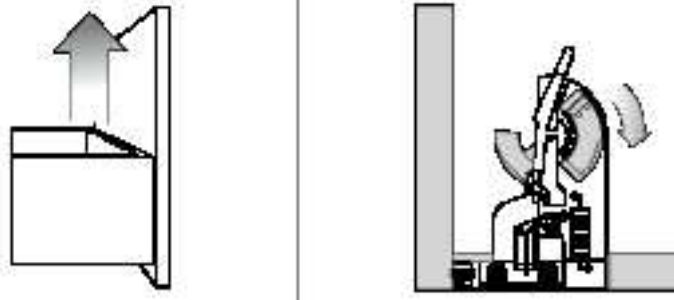
---

The weight capacity for drawer is 40Kg

Each drawer is fully aligned and tested during production. If adjustment is required please follow the guidelines below:

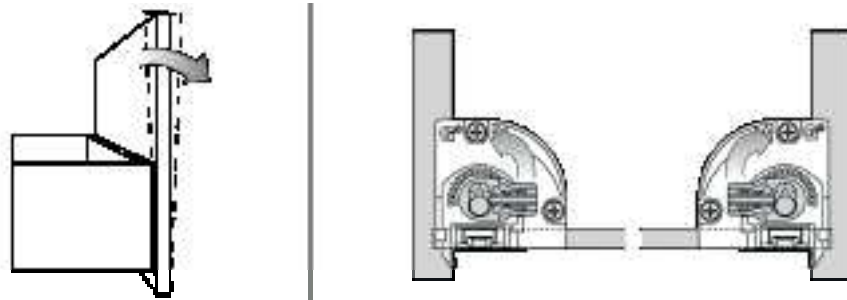
### Step 1 Front height adjustment

Max. + 3.5 mm



### Step 2 Front tilt adjustment

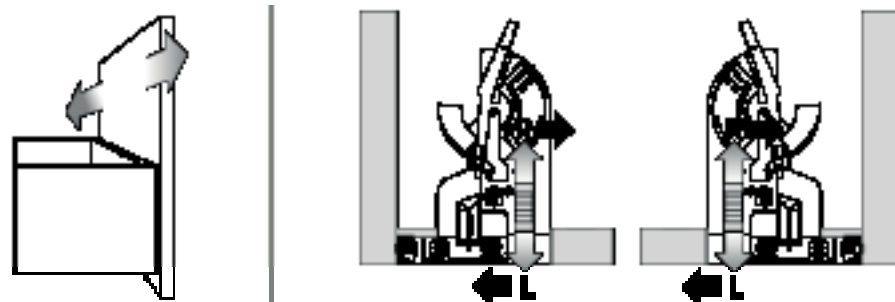
Max. + 4.0 mm



Move the green tab until the front tilt is adjusted.

### Step 3 Left/Right adjustment

Max.  $\pm$  1.5 mm



Turn the green wheel up to adjust right and down to adjust left.

## Fitting of Tiled Drawer fronts

### STEP 1: Removal of pre-fitted drawer

- a Remove the inside cam bolts as shown below
  - b Remove cam bolt on drawer underside as shown
- The front can now be removed.

### STEP 2: Fitting of tiled drawer front

Insert the front panel onto the drawer sides secure in place

- a. Secure side cambolts first
- b. secure underside cambolt
- c. replace drawer correctly in carcass

