

SPECIFICATION SHEET

COLLECTION: CELSIUS

PRODUCT CODE: WG-1760-ATM-CP



DESCRIPTION:

- exposed thermostatic 3/4" mini concentric shower valve
- Atmosphere slide rail shower kit with air-injection 5 function handset

concentric cartridge FL-0701-40L
minimum operating pressure 1.0 bar MP

kit comprises:
WG-179M-CP
[ATM-MFSRK-C/P](#)

FINISH:

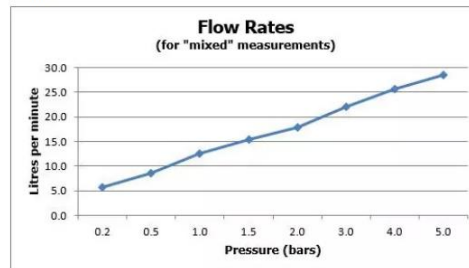
Chrome

MINIMUM OPERATING PRESSURE:

1.0 bar MP

FLOW RATE AT 3.0 BAR FLOW PRESSURE:

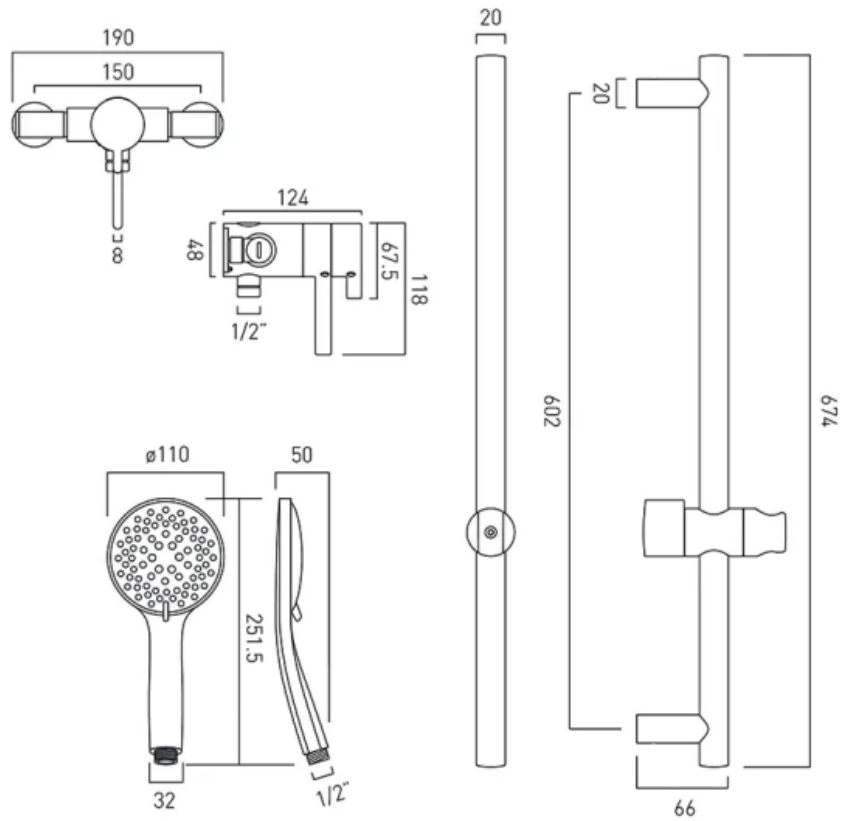
22 l/m



TECHNICAL DRAWING

COLLECTION: CELSIUS

PRODUCT CODE: WG-1760-ATM-CP



SPECIFICATION SHEET

COLLECTION: CELSIUS
PRODUCT CODE: WG-179M-CP



DESCRIPTION:

Celsius
exposed thermostatic
mini concentric shower valve 1/2"
wall mounted
concentric cartridge FL-0701-40L
minimum operating pressure 1.0 bar MP

FINISH:

Chrome

FLOW REGULATOR:

FR-SHOWER/9-C/P

MINIMUM OPERATING PRESSURE:

1.0 bar MP

FLOW RATE AT 3.0 BAR FLOW PRESSURE:

22 l/m



Compatible easy-fit brackets available to purchase



Welcome

Thank you for choosing VADO

Our products can be found in some of the most prestigious hotel, commercial and residential developments across the world, therefore you can expect exceptional product quality and outstanding customer service.

This product has passed through stringent quality assurance processes coupled with demanding lifecycle mechanical testing to ensure it reaches the exacting standards that allow us to offer our premium 12 year guarantee.

We work to ensure our product designs are harmonious with all sanitaryware, so when you choose VADO, your choice of coordinating items is unlimited.

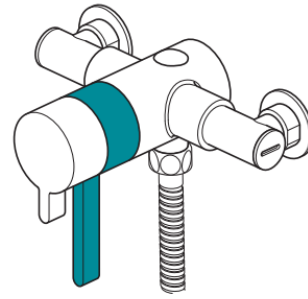
With VADO, you can really let your inspiration flow.

For any technical or operational queries please contact our experienced aftersales team on 01934 745163.

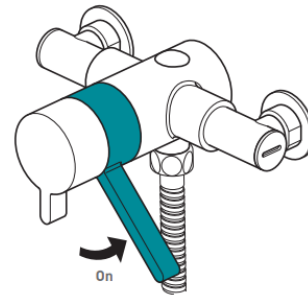
VADO, Wedmore Road, Cheddar, Somerset, England BS27 3EB
tel 01934 744466. fax 01934 744345
aftersales@vado.com
www.vado.com

2

Operation - Flow control



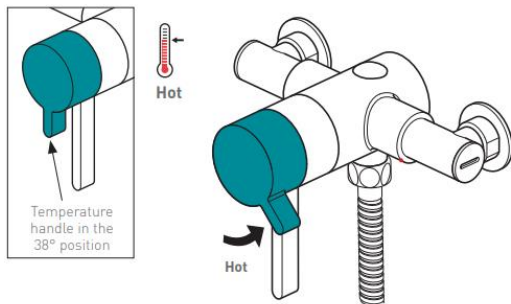
Flow control handle in the off position



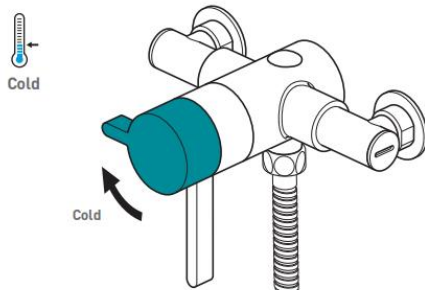
Moving the flow control handle lever to the right will increase the water flow

3

Operation - Temperature control



Moving the mixer lever to the right will increase the water temperature.



Moving the mixer lever to the left will decrease the water temperature.

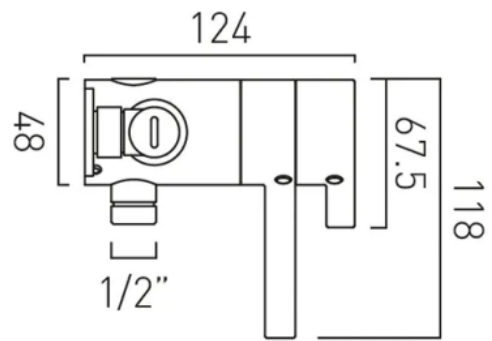
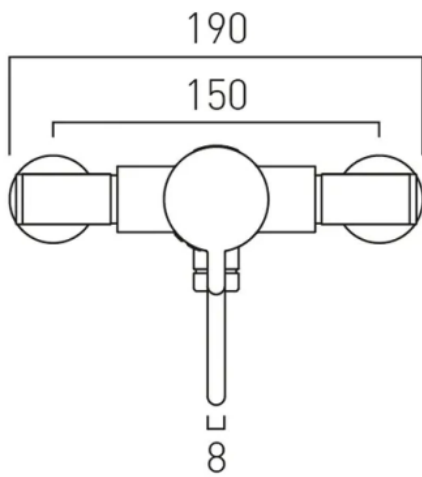
Cleaning instructions:

The electroplating on this product is finished to the highest standard. Due care needs to be taken to ensure the appearance is retained.

We recommend cleaning all products with a soft damp cloth **ONLY** and advise strongly against the use of all aggressive/corrosive cleaning products i.e. powders and liquids. If these instructions are not followed, this may invalidate your guarantee in the event of a problem occurring.

TECHNICAL DRAWING

COLLECTION: CELSIUS
PRODUCT CODE: WG-179M-CP



SPECIFICATION SHEET

COLLECTION: ATMOSPHERE
PRODUCT CODE: ATM-MFSRK-C/P



DESCRIPTION:

slide rail shower kit
with 5 function air-injection handset
805mm slide rail with twist control
900mm overall rail length
with 150cm smooth hose
minimum operating pressure 1.0 bar MP

FINISH:

Chrome

FLOW REGULATOR:

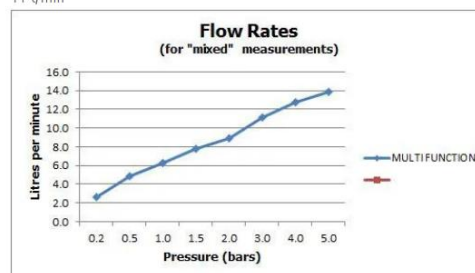
FR-SHOWER/9-C/P

MINIMUM OPERATING PRESSURE:

1.0 bar MP

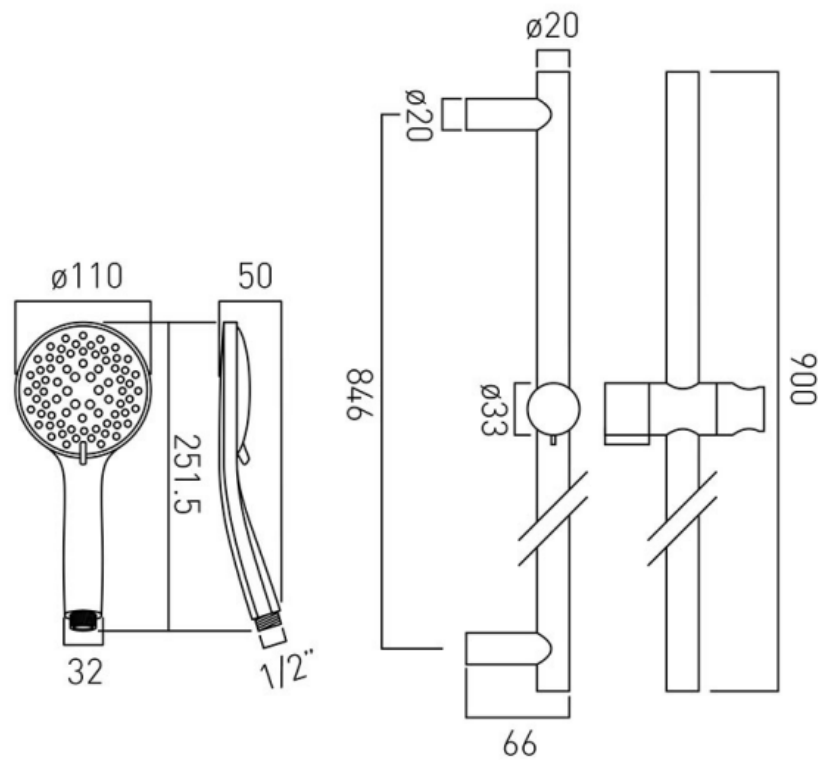
FLOW RATE AT 3.0 BAR FLOW PRESSURE:

11 l/min



TECHNICAL DRAWING

COLLECTION: ATMOSPHERE
PRODUCT CODE: ATM-MFSRK-C/P



tel: 01934 744466
email: sales@vado.com
www.vado.com

where inspiration flows
taps | showering | accessories

