

# SPECIFICATION SHEET

**COLLECTION:**

**PRODUCT CODE:** WG-049BRACK+SHR-C/P



**DESCRIPTION:**

pair of easy-fix shower brackets with shrouds  
wall mounted  
15mm compression connection

**FINISH:**

Chrome

**MINIMUM OPERATING PRESSURE:**

N/A



tel: 01934 744466  
email: sales@vado.com  
www.vado.com

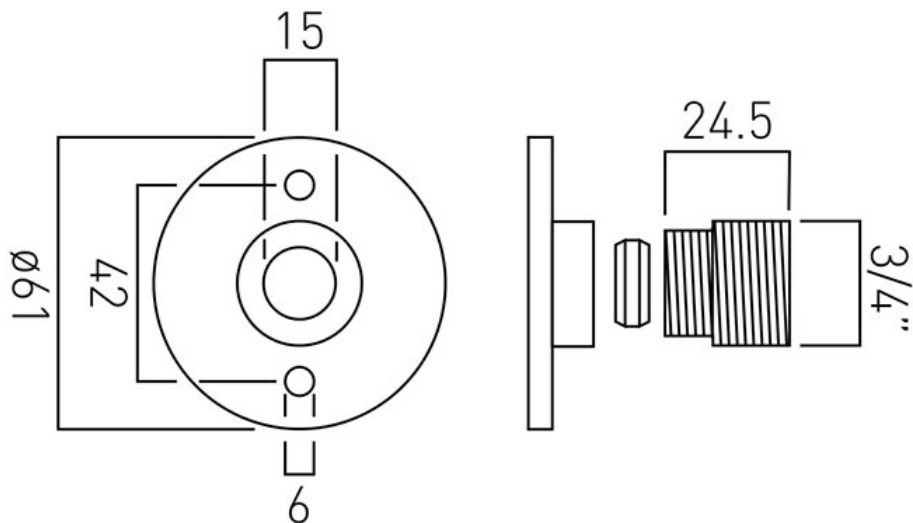
**where inspiration flows**  
taps | showering | accessories



# TECHNICAL DRAWING

**COLLECTION:**

**PRODUCT CODE:** WG-049BRACK+SHR-C/P



tel: 01934 744466  
email: sales@vado.com  
www.vado.com

**where inspiration flows**  
taps | showering | accessories

