
SPECIFICATION SHEET

COLLECTION: SPA

PRODUCT CODE: IND-SPA1801-30-BRN



DESCRIPTION:

spa grab or towel rail 300mm (12")

FINISH:

Brushed Nickel



tel: 01934 744466
email: sales@vado.com
www.vado.com

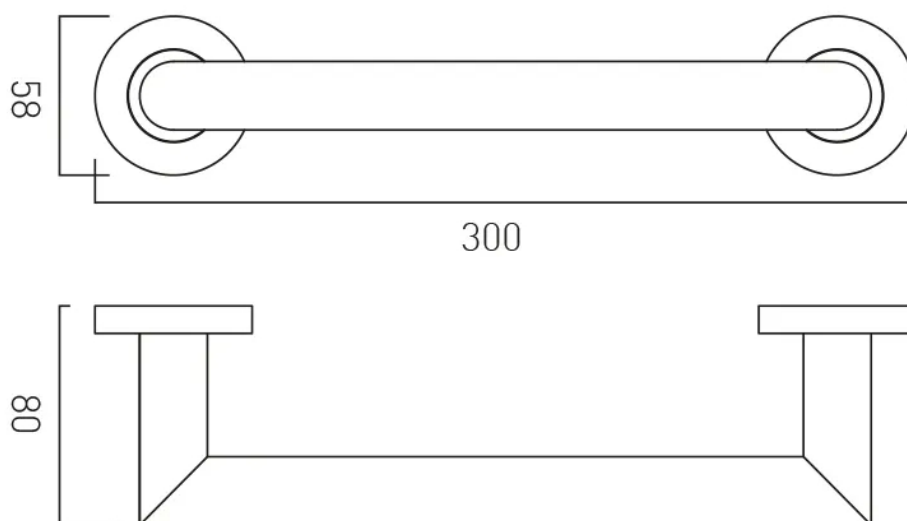
where inspiration flows
taps | showering | accessories



TECHNICAL DRAWING

COLLECTION: SPA

PRODUCT CODE: IND-SPA1801-30-BRN



tel: 01934 744466
email: sales@vado.com
www.vado.com

where inspiration flows
taps | showering | accessories

