

PRODUCT DATA SHEET

crosswater[®]



PRODUCT CODE
FL4950FWO-FS

RANGE
FLUTE

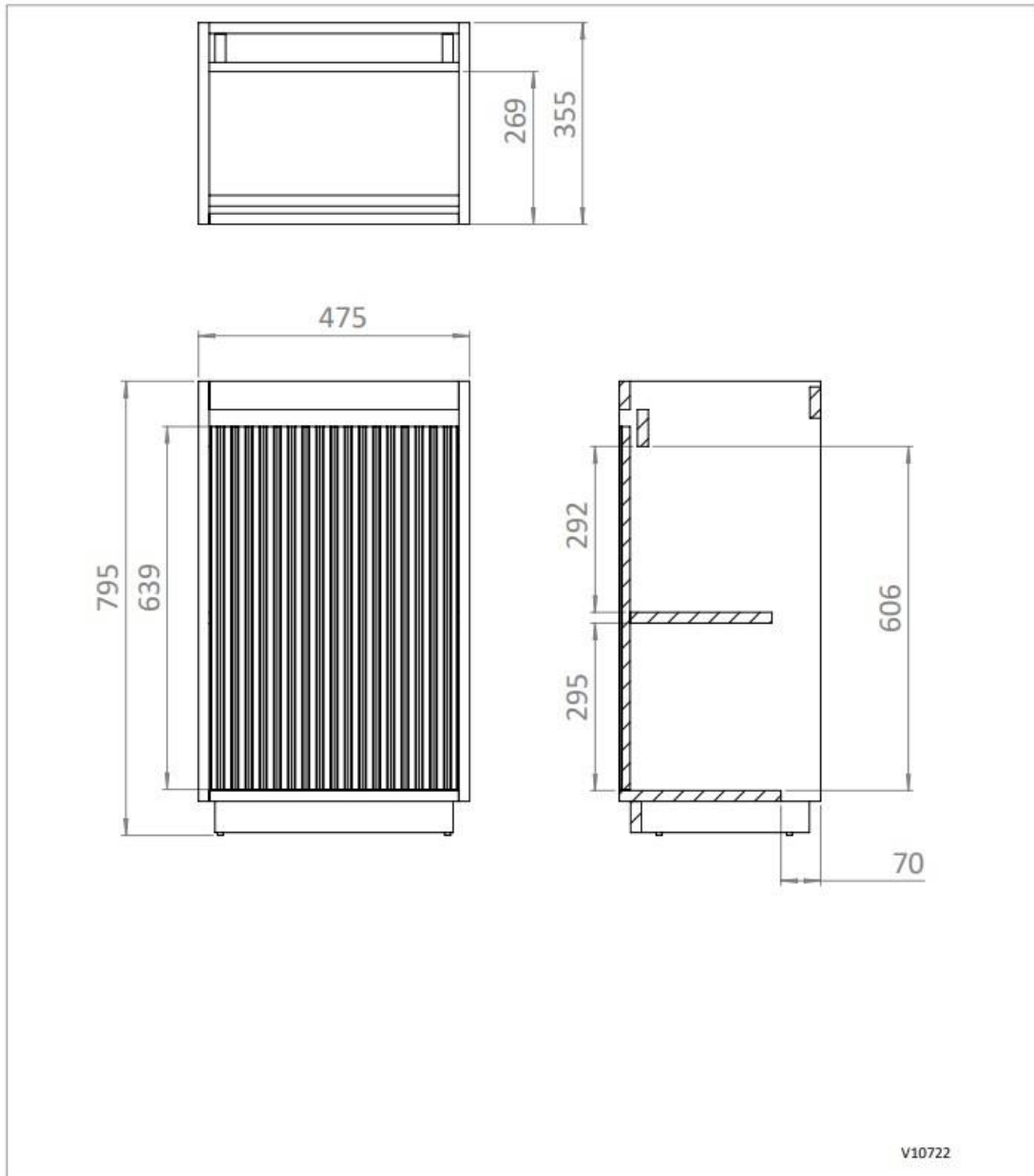
DESCRIPTION
1 Door Floor Standing Unit Windsor
Oak

COLOUR	Windsor Oak
COLOUR CODE/ REFERENCE	Crosswater Exclusive
MATERIAL	MDF
STANDARDS	EN 13986 EN 14749
INSTALLATION TYPE	Floor Standing
HINGES	BLUM INSERTA - Soft Close Hinged Door
HINGE EXTENSION	120 Degree Hinge Opening
ADJUSTABLE FEET	Yes
WALL HANGERS	Factory Fitted Load Capacity - 90kg Per pair on a Solid Wall 2 Way Adjustment
WARRANTY	10 Years

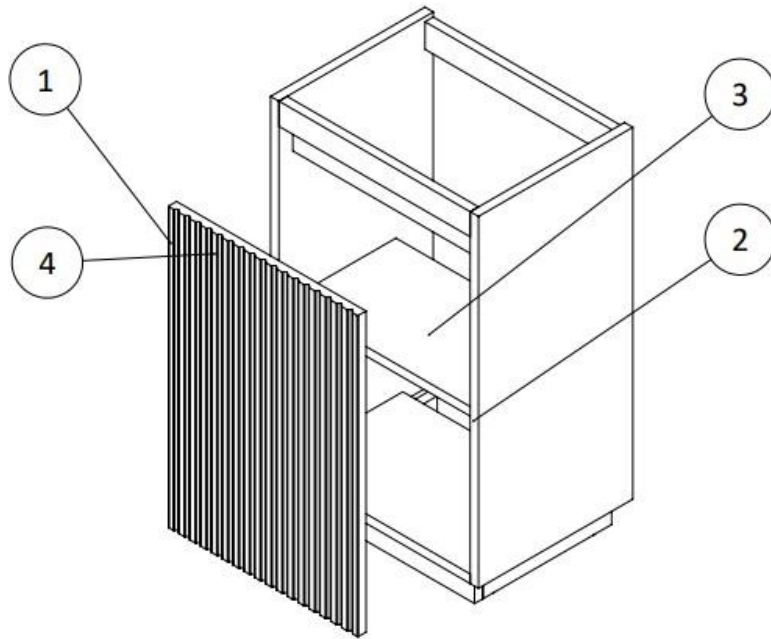
TECHNICAL DIMENSIONS

Dimensions in mm unless otherwise specified.

Tolerances (per material type) apply.



SPARES DIAGRAM



NUMBER	PART CODE	DESCRIPTION
1	HINGESFLUTE	Flute Set of Door Hinges x2
2	SHELFSUPPFLUTE	Flute Set of Shelf Supports
3	SHELFFLUTEWO	Flute Internal Shelf Windsor Oak
	SHELFFLUTENO	Flute Internal Shelf Nordic Oak
4	TDF_FL4950DWO-FS	Flute Door Front Windsor Oak
	TDF_FL4950DNO-FS	Flute Door Front Nordic Oak
5	PUSHOPENFLUTE	Flute Push to Open Door Catch
6	WBRACKETSFLUTE	Flute Wall Brackets x2

PRODUCT DATA SHEET

crosswater[®]



PRODUCT CODE
FL04951SCW

RANGE
FLUTE

DESCRIPTION
Ceramic Basin 1TH

COLOUR	White
MATERIAL	Vitreous China
STANDARDS	EN 31/EN 14688 - CLO
INSTALLATION TYPE	Furniture Mounted
DOP CLASS	EN 31 EN 14688 - CLO
BASIN WASTE SIZE	46mm
TAP HOLES	1TH
OVERFLOW	Yes
WARRANTY	10 Years

TECHNICAL DIMENSIONS

Dimensions in mm unless otherwise specified.
Tolerances (per material type) apply.

