

# SPECIFICATION SHEET

**COLLECTION:**

**PRODUCT CODE:** IND-81389/RO-BRG



**DESCRIPTION:**

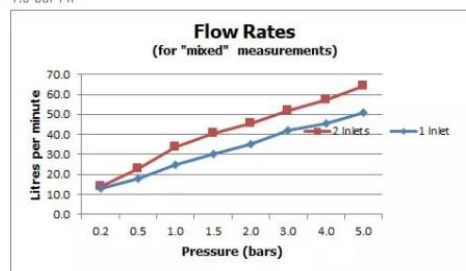
push type bath filler waste and overflow  
2 x 1/2" inlets  
1.1/2" x 10mm threaded outlet connection  
min-max overflow bath thickness 1mm-21mm  
minimum operating pressure 1.0 bar MP

**FINISH:**

Brushed Gold

**MINIMUM OPERATING PRESSURE:**

1.0 bar MP



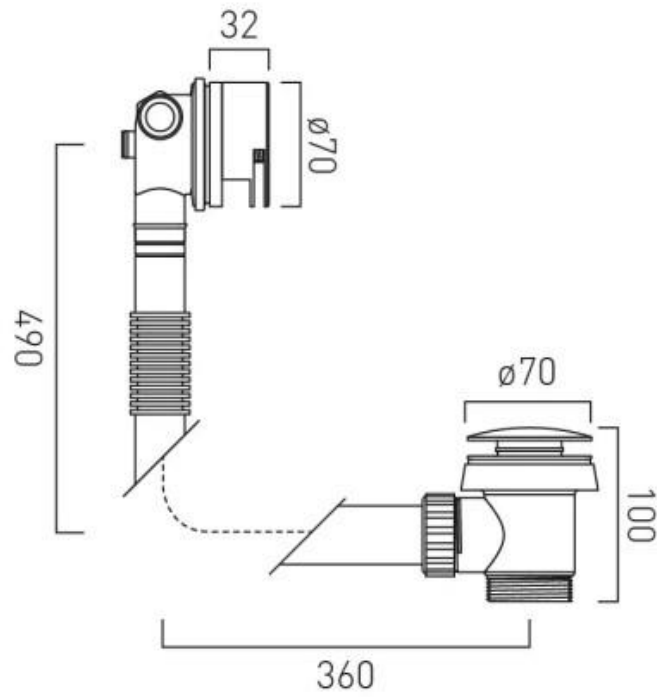
tel: 01934 744466  
email: sales@vado.com  
www.vado.com

**where inspiration flows**  
taps | showering | accessories



# TECHNICAL DRAWING

COLLECTION:  
PRODUCT CODE: IND-81389/RO-BLK



tel: 01934 744466  
email: sales@vado.com  
www.vado.com

**where inspiration flows**  
taps | showering | accessories

