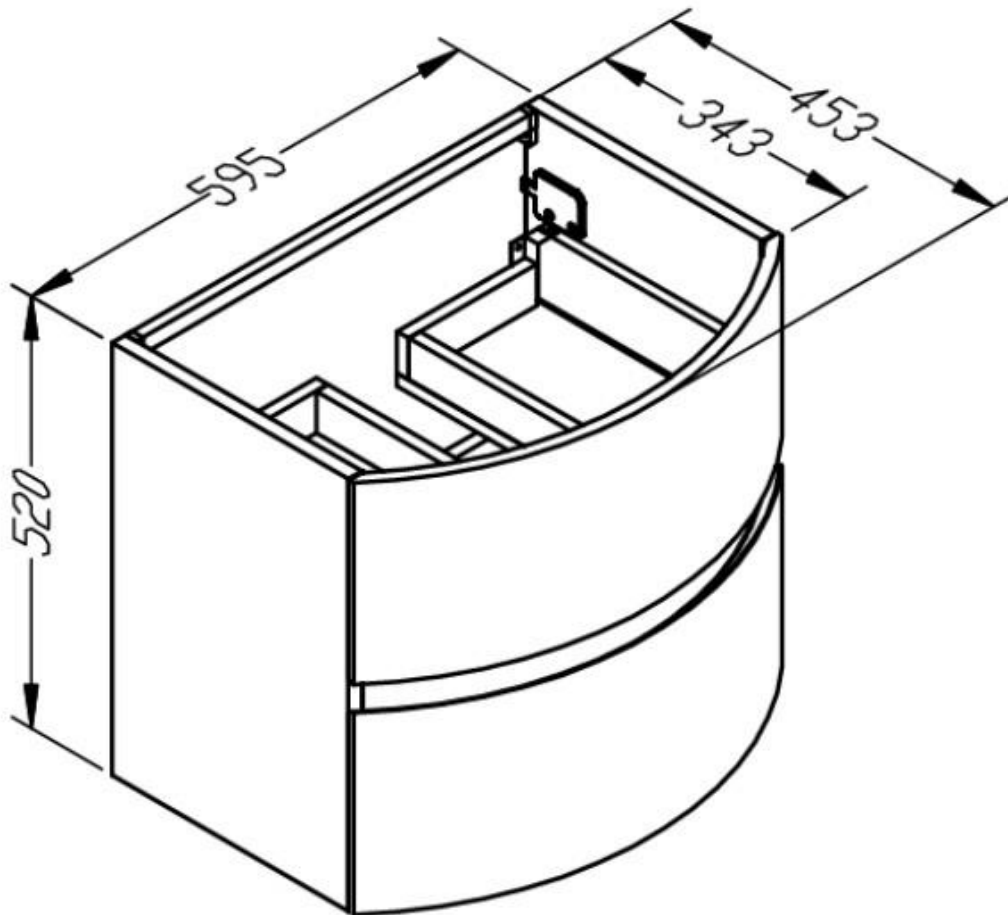


Measurements in millimetres mm
Information updated July 2015
Tel 0345 873 8840

crosswater[™]
TECHNICAL



bauhaus[™]

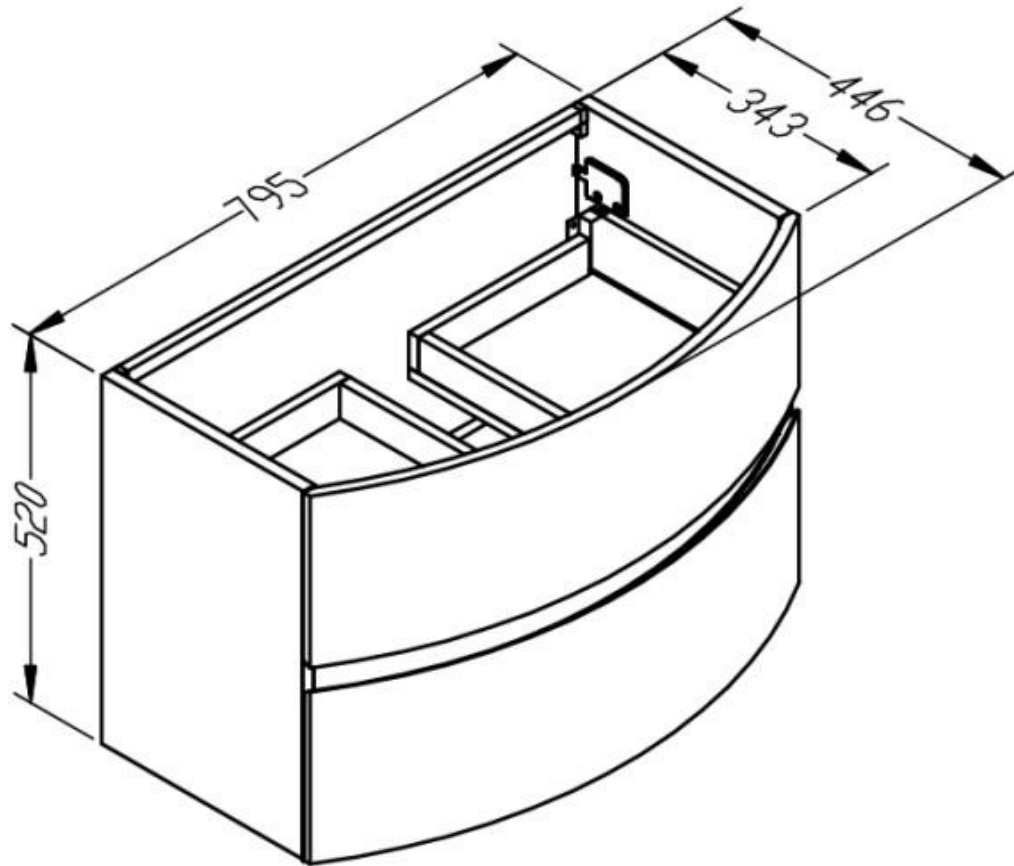
SVELTE 2 DRAWER 600 BASIN UNIT

Wall Hung

SE6000D

Measurements in millimetres mm
Information updated July 2015
Tel 0345 873 8840

crosswater[™]
TECHNICAL



bauhaus[™]

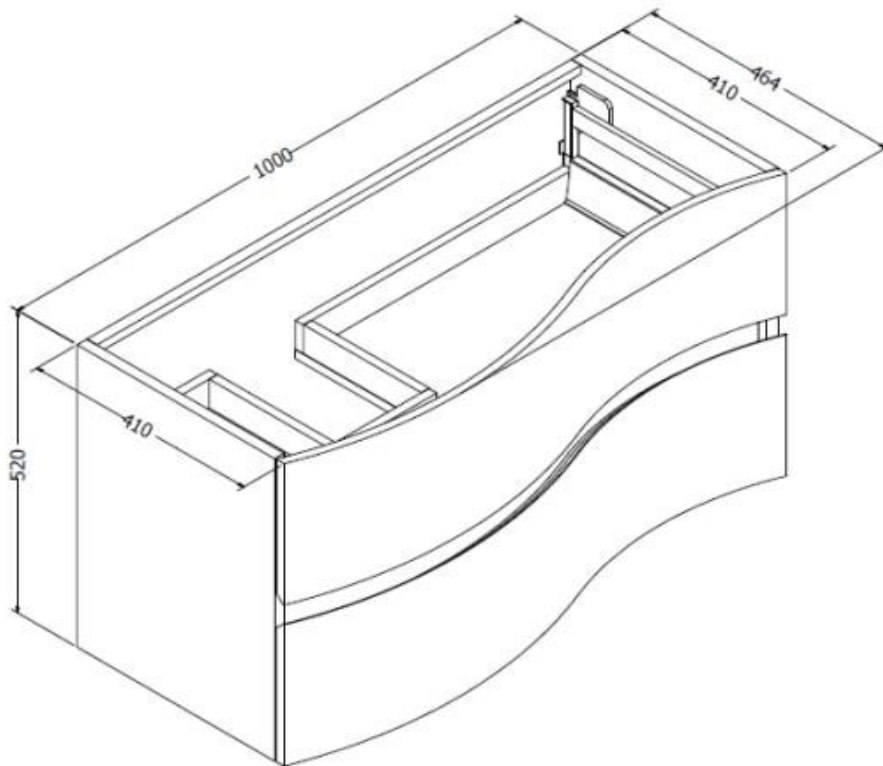
SVELTE 2 DRAWER 800 BASIN UNIT

Wall Hung

SE8000D

Measurements in millimetres mm
Information updated April 2019
Tel 0345 873 8840

crosswater[™]
TECHNICAL

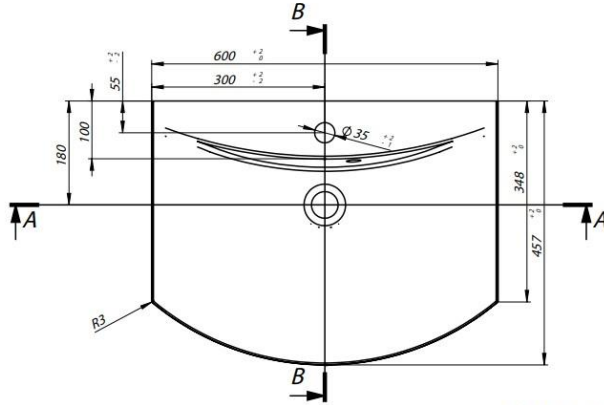
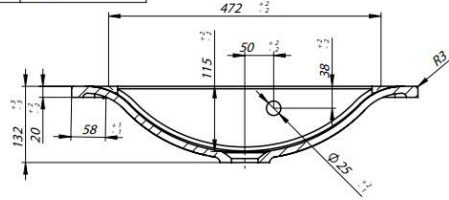


SVELTE 1000 S Basin Unit
For Use with SE1011S BASINS
SE1000SD

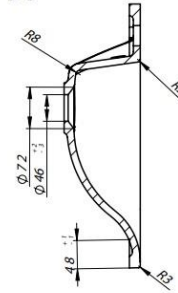
Drawing for approval

643_02_2013

A-A



B-B



Tolerances according to MA 002_2013

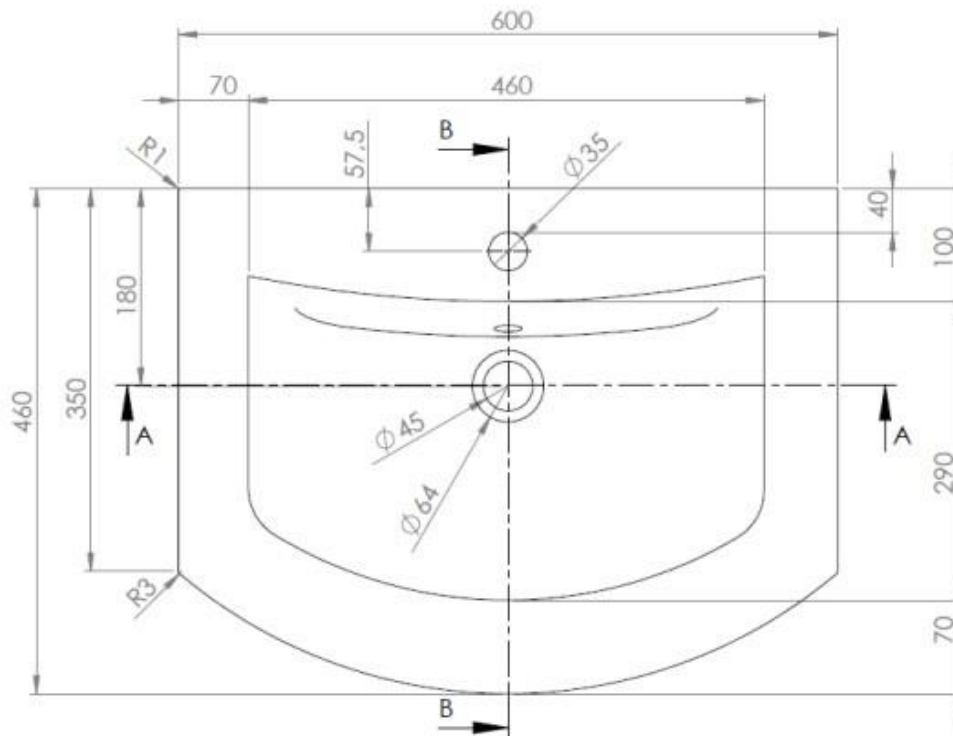
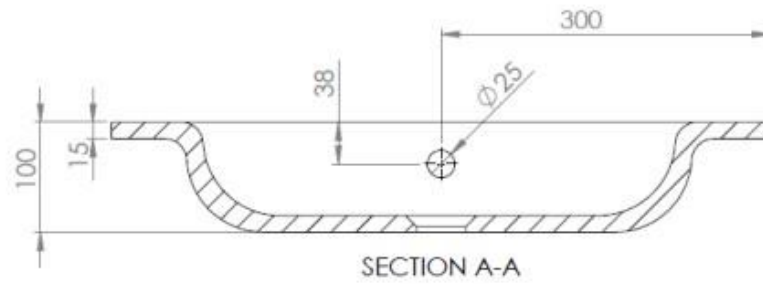
According to project		Material		Localization	
MDS dla Crosswater		dolomit			
	Date	Name	Signature	Name of drawing	
If constructed				Svelte 600	
If has checked					
If has approved					
Scale				Dimension gabarit	
				600x457x132	
					Version

bauhaus

A3

Measurements in millimetres mm
Information updated March 2018
Tel 0345 873 8840

crosswater[™]
TECHNICAL



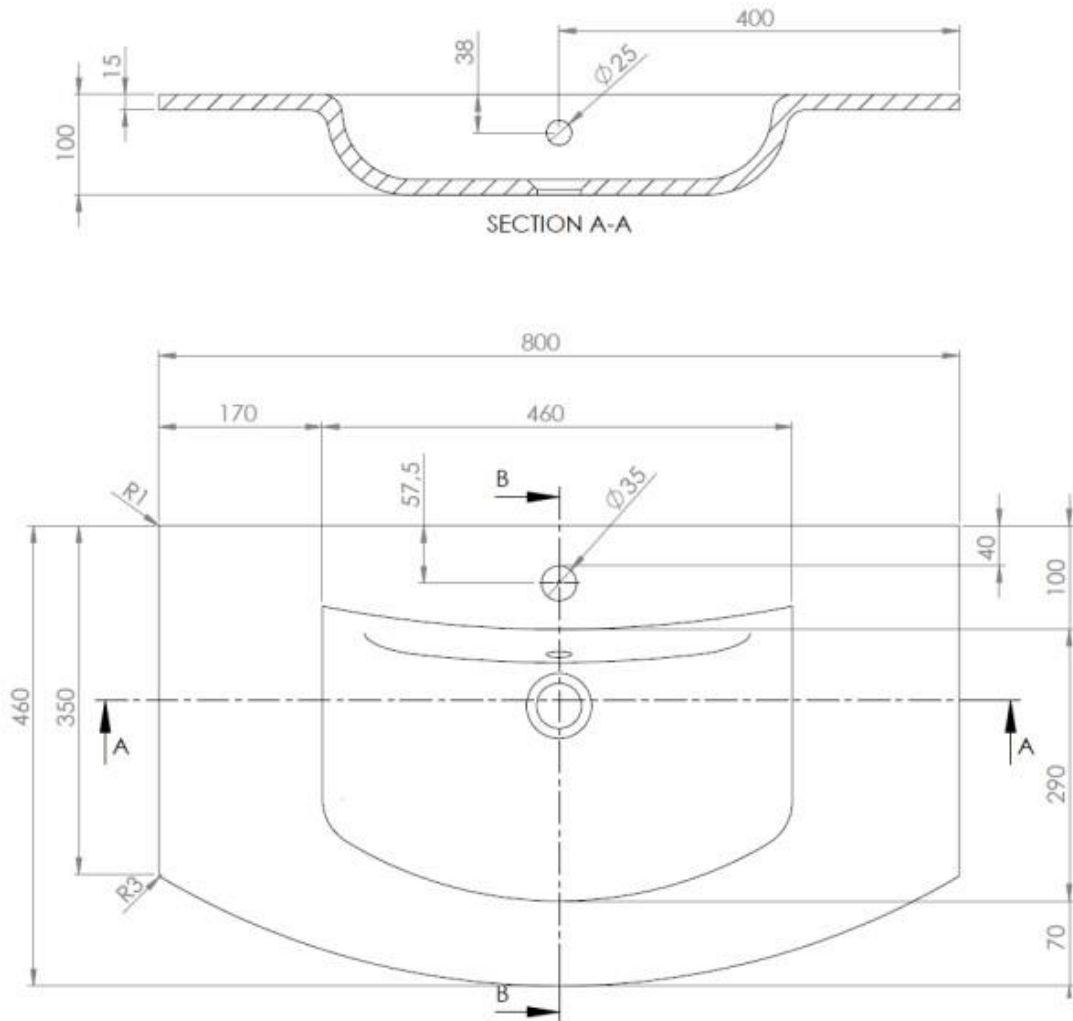
SVELTE 600 basin with overflow

Thermal Hardened Glass.

SE0611SCG—SE0611SIW

Measurements in millimetres mm
Information updated March 2018
Tel 0345 873 8840

crosswater[™]
TECHNICAL



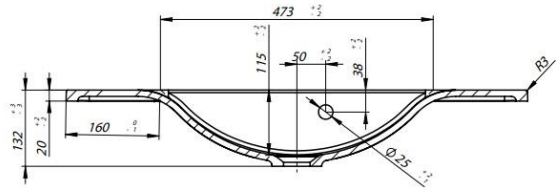
SVELTE 800 basin with overflow

Thermal Hardened Glass.

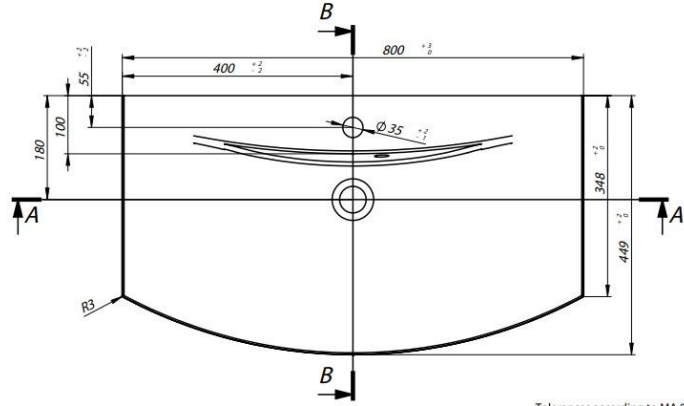
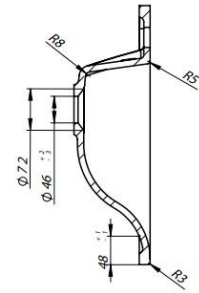
SE0811SCG—SE0811SIW

Drawing for approval 643_02_2013

A-A



B-B



Tolerances according to MA 002_2013

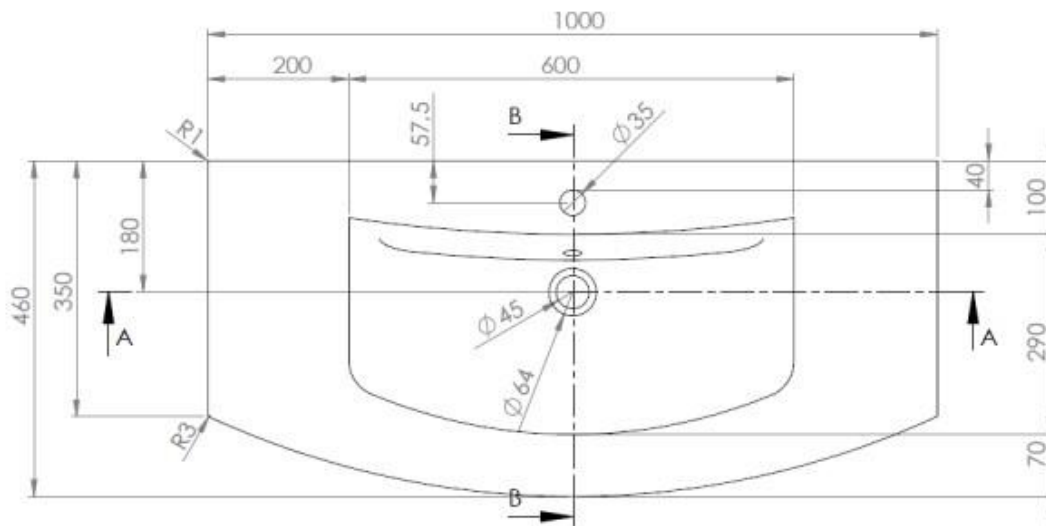
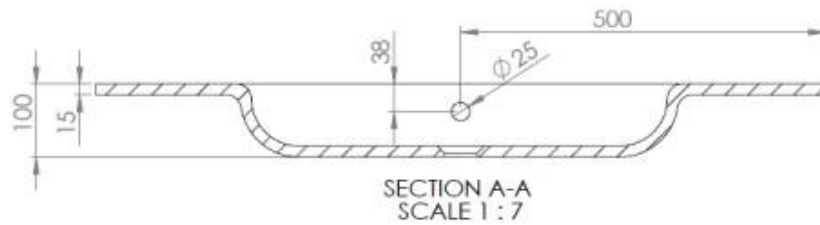
According to project		MDS dla Crosswater		Material	dolomit		Localization
	Date	Name	Signature	Name of drawing			
If constructed				Svelte 800			
If has checked							
If has approved							
Scale		Dimension gabarit				Version	
		800x449x132					

bauhaus

A3

Measurements in millimetres mm
Information updated March 2018
Tel 0345 873 8840

crosswater[™]
TECHNICAL



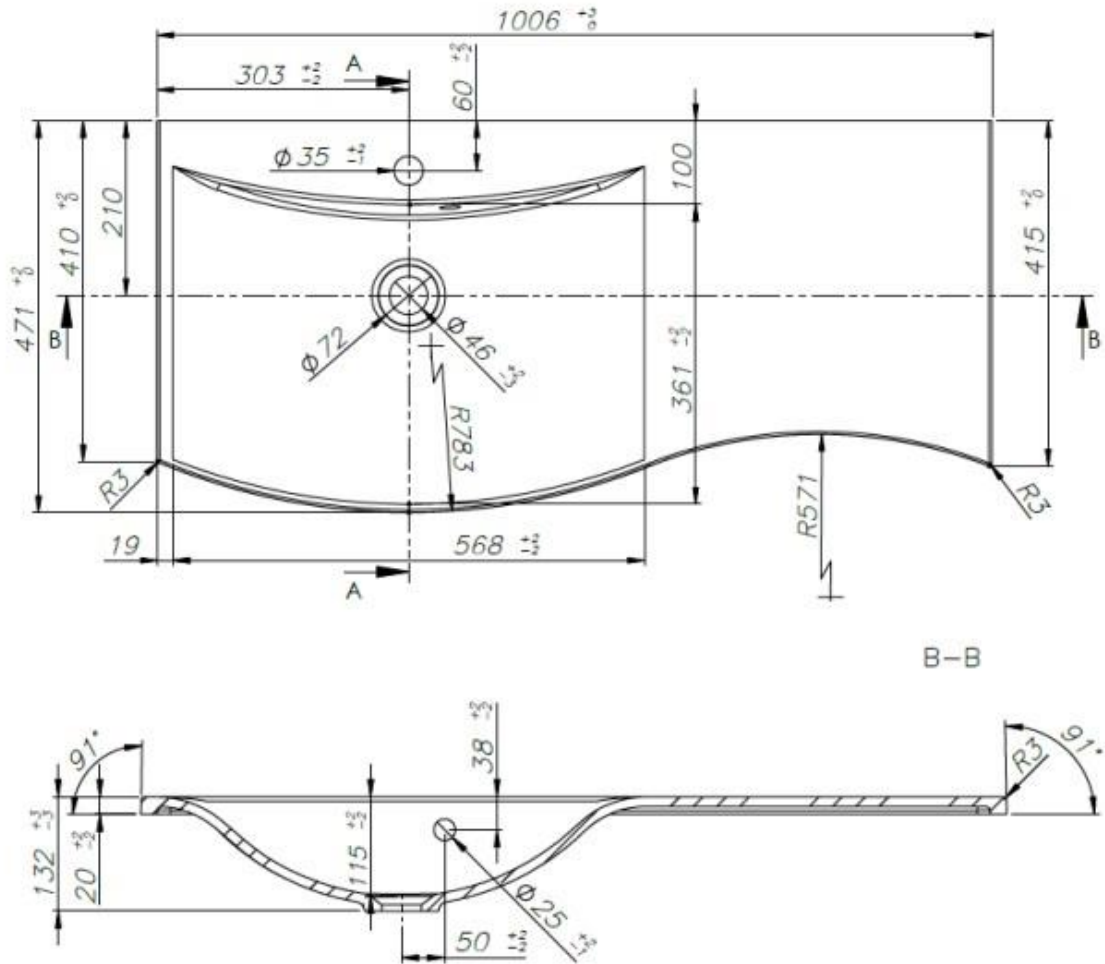
SVELTE 1000 basin with overflow

Thermal Hardened Glass.

SE1011SCG—SE1011SIW

Measurements in millimetres mm
Information updated April 2019
Tel 0345 873 8840

crosswater[™]
TECHNICAL



SVELTE CAST MINERAL MARBLE WITH OVERFLOW

For Use with SE1000SD only

SE1011SSRW-SE1010SSRW