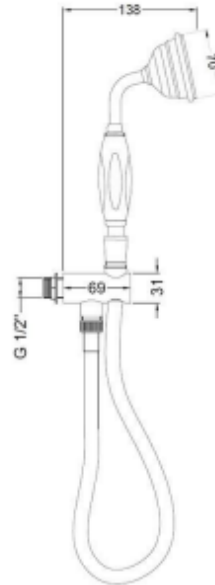


CUSTOMER SPECIFICATION SHEET - SHOWERS

SALES CODE: CSC250

DESCRIPTION: Traditional Hand shower Kit



PRODUCT DIMENSIONS

Length(mm)	Width (mm)	Height (mm)	Depth (mm)	Nett Wgt Kg
	30	1230	69	0.62

PACKAGING DIMENSIONS

Length (mm)	Width (mm)	Depth (mm)	Gross Wgt Kg
275	185	130	0.62

PACKAGING DATA

Box Colour	White Cardboard Box		
Box Qty	1	Label Colour	White Label
Label Size	100 X 50	Label Qty	2

OUTER BOX DIMENSIONS (If Applicable)

Length (mm)	Width (mm)	Height (mm)	Depth (mm)	Gross Wgt Kg
Barcode				

PRODUCT DETAILS

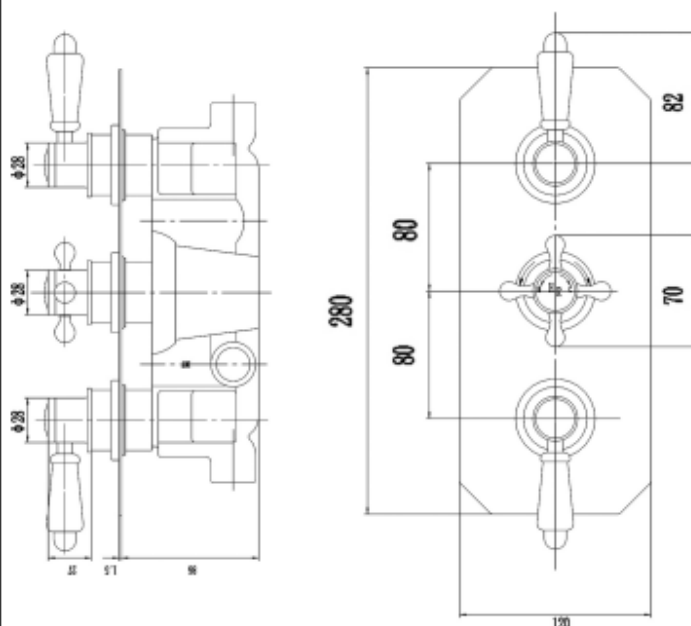
Country of Origin	China
Fitting Instruction	No
Product Material	Brass
Mount Type	Wall, Surface
Outlet Elbow Supplied	Yes
Easy Clean	No
Head Included	No
Handset Included	Yes
Body Jets Included	No
No of Body Jets	Not Applicable
Operating Pressure (bar)	0.1
Valve/Cartridge Type	Not Applicable

Flow Rates (L/min)	0.1 bar	N/A	0.5 bar	N/A	1 bar	N/A	2 bar	N/A	3 bar	N/A	
TMV2 Approved	No		Approval No.		N/A						
TMV3 Approved	No		Approval No.		N/A						
WRAS Approved	No		Approval No.		N/A						
Head Function	Not Applicable										
Handset Function	Single Setting										
Body Jet Info	Not Applicable										
Pipe Size	15 mm (1/2" Bsp)										
Pipe Centres	N/A										
Colour/Finish	Chrome										
Hose Included	Yes										

CUSTOMER SPECIFICATION SHEET - SHOWERS

SALES CODE: CSA030

DESCRIPTION: Victrion Triple Concealed Shower Valve



PRODUCT DIMENSIONS

Length(mm)	Width (mm)	Height (mm)	Depth (mm)	Nett Wgt Kg
	120	320	135	3

PACKAGING DIMENSIONS

Length (mm)	Width (mm)	Depth (mm)	Gross Wgt Kg
320	250	110	3.4

PACKAGING DATA

Box Colour	White Cardboard Box		
Box Qty	1	Label Colour	White Label
Label Size	100 X 50	Label Qty	1

OUTER BOX DIMENSIONS (If Applicable)

Length (mm)	Width (mm)	Height (mm)	Depth (mm)	Gross Wgt Kg
Barcode				

PRODUCT DETAILS

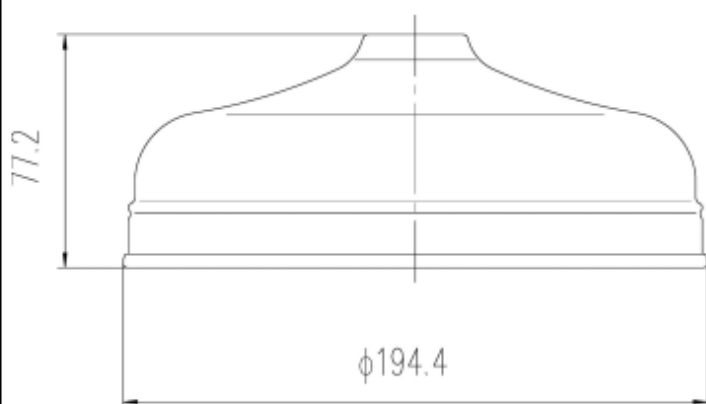
Country of Origin	
Fitting Instruction	Yes
Product Material	Brass
Mount Type	Wall
Outlet Elbow Supplied	Not Applicable
Easy Clean	Not Applicable
Head Included	No
Handset Included	No
Body Jets Included	Not Applicable
No of Body Jets	Not Applicable
Operating Pressure (bar)	0.1
Valve/Cartridge Type	1/4 Turn Ceramic Disc

Flow Rates (L/min)	0.1 bar	N/A	0.5 bar	13	1 bar	17	2 bar	24	3 bar	27
TMV2 Approved	Yes		Approval No.	Bc947/1211						
TMV3 Approved	Yes		Approval No.	Bc1119/1212						
WRAS Approved	Yes		Approval No.	N/A						
Head Function	Not Applicable									
Handset Function	Not Applicable									
Body Jet Info	Not Applicable									
Pipe Size	22 mm (3/4" Bsp)									
Pipe Centres	150mm									
Colour/Finish	Chrome									
Hose Included	Not Applicable									

CUSTOMER SPECIFICATION SHEET - SHOWERS

SALES CODE: CSC205

DESCRIPTION: Victrion 8" Fixed Head 195mm Diameter



PRODUCT DIMENSIONS

Length(mm)	Width (mm)	Height (mm)	Depth (mm)	Nett Wgt Kg
	194	77	194	0.3

PACKAGING DIMENSIONS

Length (mm)	Width (mm)	Depth (mm)	Gross Wgt Kg
210	200	80	0.8

PACKAGING DATA

Box Colour	White Cardboard Box		
Box Qty	1	Label Colour	White Label
Label Size	100 X 50	Label Qty	2

OUTER BOX DIMENSIONS (If Applicable)

Length (mm)	Width (mm)	Height (mm)	Depth (mm)	Gross Wgt Kg
Barcode				

PRODUCT DETAILS

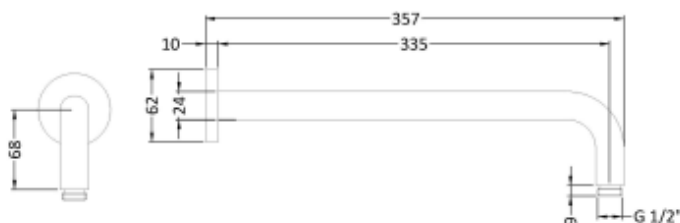
Country of Origin	China
Fitting Instruction	No
Product Material	Brass
Mount Type	Surface, Wall
Outlet Elbow Supplied	No
Easy Clean	No
Head Included	Yes
Handset Included	No
Body Jets Included	Not Applicable
No of Body Jets	Not Applicable
Operating Pressure (bar)	0.5
Valve/Cartridge Type	Not Applicable

Flow Rates (L/min)	0.1 bar	N/A	0.5 bar	N/A	1 bar	N/A	2 bar	N/A	3 bar	N/A	
TMV2 Approved	No		Approval No.		N/A						
TMV3 Approved	No		Approval No.		N/A						
WRAS Approved	No		Approval No.		N/A						
Head Function	Single										
Handset Function	Not Applicable										
Body Jet Info	Not Applicable										
Pipe Size	Not Applicable										
Pipe Centres	N/A										
Colour/Finish	Chrome										
Hose Included	Not Applicable										

CUSTOMER SPECIFICATION SHEET - SHOWERS

SALES CODE: CSC225

DESCRIPTION: W/H Victrion Straight Wall Shower Arm



PRODUCT DIMENSIONS

Length(mm)	Width (mm)	Height (mm)	Depth (mm)	Nett Wgt Kg
	62	108	357	0.32

PACKAGING DIMENSIONS

Length (mm)	Width (mm)	Depth (mm)	Gross Wgt Kg
102	38	420	0.5

PACKAGING DATA

Box Colour	White Cardboard Box		
Box Qty	1	Label Colour	White Label
Label Size	100 X 50	Label Qty	2

OUTER BOX DIMENSIONS (If Applicable)

Length (mm)	Width (mm)	Height (mm)	Depth (mm)	Gross Wgt Kg
Barcode				

PRODUCT DETAILS

Country of Origin	China
Fitting Instruction	No
Product Material	Brass
Mount Type	Surface, Wall
Outlet Elbow Supplied	No
Easy Clean	Not Applicable
Head Included	No
Handset Included	Not Applicable
Body Jets Included	No
No of Body Jets	Not Applicable
Operating Pressure (bar)	
Valve/Cartridge Type	Not Applicable

Flow Rates (L/min)	0.1 bar	N/A	0.5 bar	N/A	1 bar	N/A	2 bar	N/A	3 bar	N/A
TMV2 Approved	No		Approval No.	N/A						
TMV3 Approved	No		Approval No.	N/A						
WRAS Approved	No		Approval No.	N/A						
Head Function	Not Applicable									
Handset Function	Not Applicable									
Body Jet Info	Not Applicable									
Pipe Size	Not Applicable									
Pipe Centres	Not Applicable									
Colour/Finish	Chrome									
Hose Included										