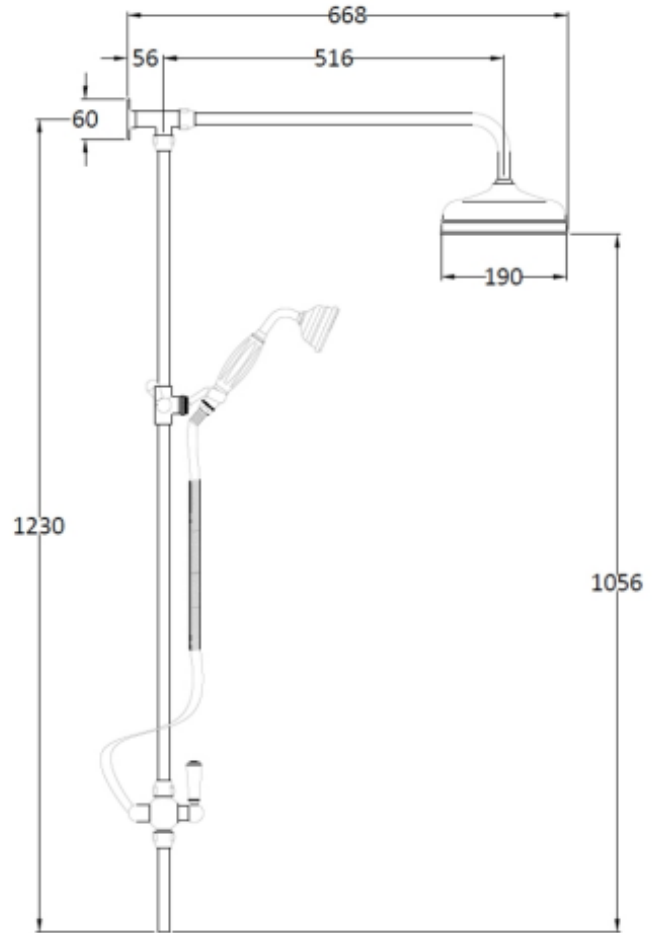


## CUSTOMER SPECIFICATION SHEET - SHOWERS

SALES CODE: CSB120

DESCRIPTION: Victrion Superbe Rigid Riser Kit



### PRODUCT DIMENSIONS

Length(mm)	Width (mm)	Height (mm)	Depth (mm)	Nett Wgt Kg
	194	1260	670	4.7

### PACKAGING DIMENSIONS

Length (mm)	Width (mm)	Depth (mm)	Gross Wgt Kg
1100	240	110	5.2

### PACKAGING DATA

Box Colour	White Cardboard Box		
Box Qty	1	Label Colour	White Label
Label Size	100 X 50	Label Qty	2

### OUTER BOX DIMENSIONS (If Applicable)

Length (mm)	Width (mm)	Height (mm)	Depth (mm)	Gross Wgt Kg
Barcode				

### PRODUCT DETAILS

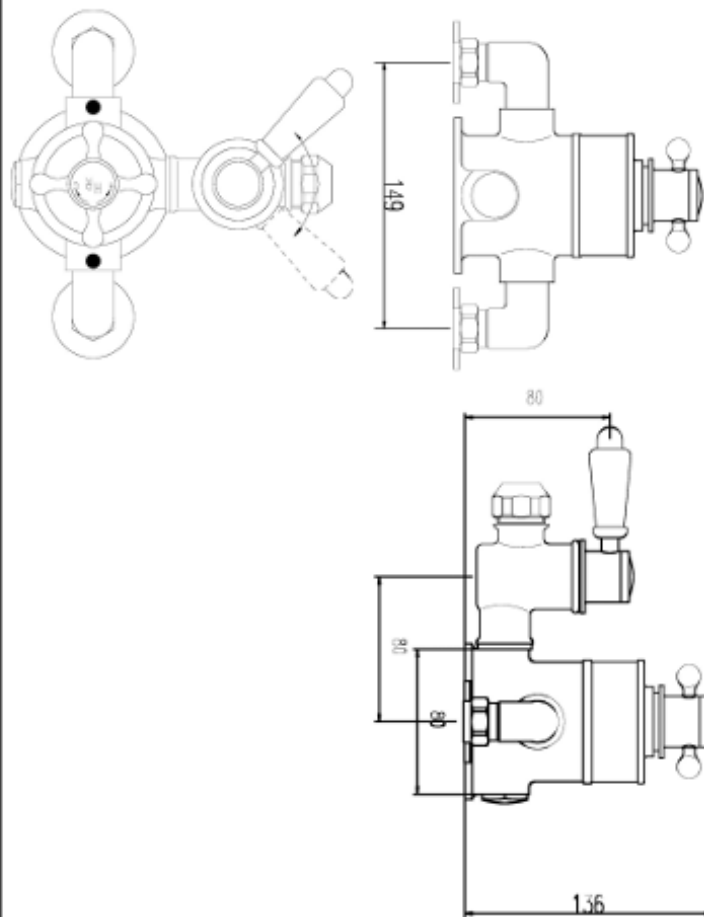
Country of Origin	China
Fitting Instruction	No
Product Material	Brass
Mount Type	Surface, Wall
Outlet Elbow Supplied	No
Easy Clean	No
Head Included	Yes
Handset Included	Yes
Body Jets Included	No
No of Body Jets	Not Applicable
Operating Pressure (bar)	0.5
Valve/Cartridge Type	Not Applicable

Flow Rates (L/min)	0.1 bar	N/A	0.5 bar	N/A	1 bar	N/A	2 bar	N/A	3 bar	N/A
TMV2 Approved	No		Approval No.		N/A					
TMV3 Approved	No		Approval No.		N/A					
WRAS Approved	No		Approval No.		N/A					
Head Function	Single									
Handset Function	Single Setting									
Body Jet Info	Not Applicable									
Pipe Size	18 mm									
Pipe Centres	N/A									
Colour/Finish	Chrome									
Hose Included	Yes									

## CUSTOMER SPECIFICATION SHEET - SHOWERS

SALES CODE: CSA025

DESCRIPTION: Victrion Twin Exposed Shower Valve



### PRODUCT DIMENSIONS

Length(mm)	Width (mm)	Height (mm)	Depth (mm)	Nett Wgt Kg
	195	206	135	2.5

### PACKAGING DIMENSIONS

Length (mm)	Width (mm)	Depth (mm)	Gross Wgt Kg
245	215	170	3

### PACKAGING DATA

Box Colour	White Cardboard Box		
Box Qty	1	Label Colour	White Label
Label Size	100 x 50	Label Qty	1

### OUTER BOX DIMENSIONS (If Applicable)

Length (mm)	Width (mm)	Height (mm)	Depth (mm)	Gross Wgt Kg
Barcode				

### PRODUCT DETAILS

Coutry of Origin	
Fitting Instruction	Yes
Product Material	Brass
Mount Type	Wall
Outlet Elbow Supplied	Not Applicable
Easy Clean	Not Applicable
Head Included	No
Handset Included	No
Body Jets Included	Not Applicable
No of Body Jets	Not Applicable
Operating Pressure (bar)	0.1
Valve/Cartridge Type	1/4 Turn Ceramic Disc

Flow Rates (L/min)	0.1 bar	4.5	0.5 bar	13	1 bar	18.5	2 bar	26	3 bar	33
TMV2 Approved	No		Approval No.		N/A					
TMV3 Approved	No		Approval No.		N/A					
WRAS Approved	No		Approval No.		N/A					
Head Function	Not Applicable									
Handset Function	Not Applicable									
Body Jet Info	Not Applicable									
Pipe Size	15 mm (1/2" Bsp)									
Pipe Centres	150mm									
Colour/Finish	Chrome									
Hose Included	Not Applicable									