

Measurements in millimetres mm

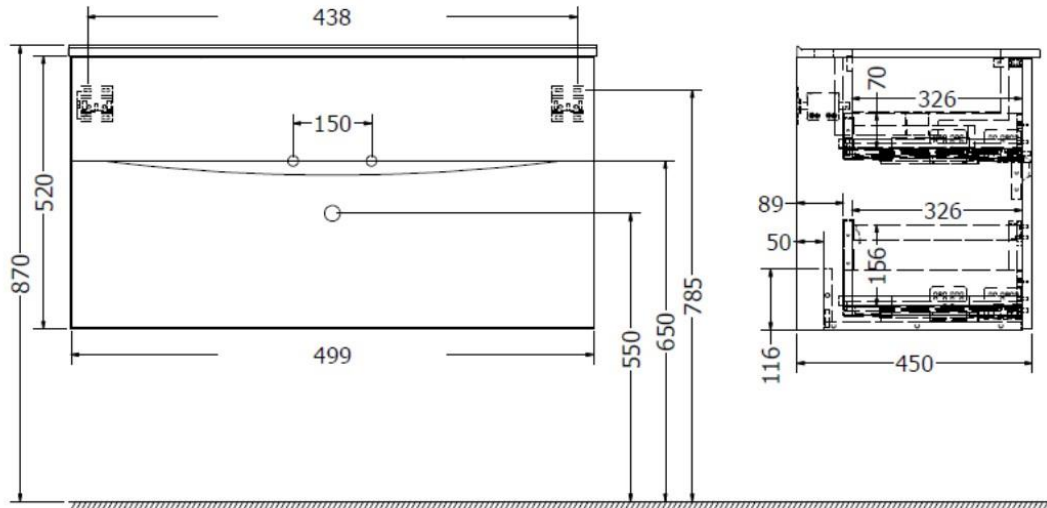
Information updated May 2021

Tel 0345 873 8840



Glide II 500mm FURNITURE

| TECHNICAL DATA | | SPECIFICATION |
|----------------------------|--|---|
| CODE No UNIT | GL5000DXX+ | Installation Information: The intended installation wall needs to be strong enough for the weight of the furniture and basin. Wall fixings for solid walls included. Laminate finishes/lacquer tested to ISO 22196 Measurement of antibacterial activity Graded Strong value of anit-bacterial effect A>3 |
| Required top | Ceramic basins - see prevailing Crossater Catalogue Cast Marble basins - see prevailing Crosswater catalogue Glass basins - see prevailing Crossater catalogue Solid surface worktop - see prevailing Crossater catalogue | |
| Recommended use: | Domestic, residential | |
| Dimension Unit | w 500 x d 450 x h 520mm | |
| Installation: | Wall Hung | |
| Materials: | Carcass and drawer front 18mm MDF Drawer set 18mm MDF | |
| Specification: | Full extension soft close drawers - 30kg weight capacity Anti-tip wall hangers 120Kg capacity | |
| Weight: | 25.12kg | |
| Fitting: | Wall hangers integrated into carcass 3 way adjustable Wall brackets supplied | |
| Required Fitting: | Compatible to basin requirement | |
| Advised Fitting: | Space saving 50mm seal trap BTR0510W | |
| Option Accessories: | BTR0410W and BTR0510W basin traps | |
| Warranty | 10 years on furniture | |



Measurements in millimetres mm

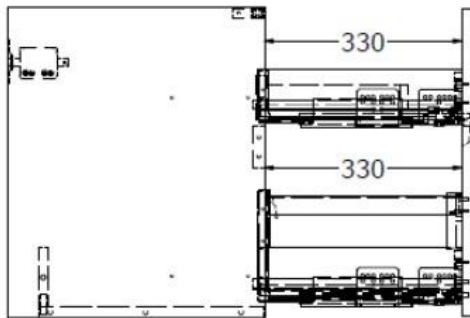
Information updated May 2021

Tel 0345 873 8840

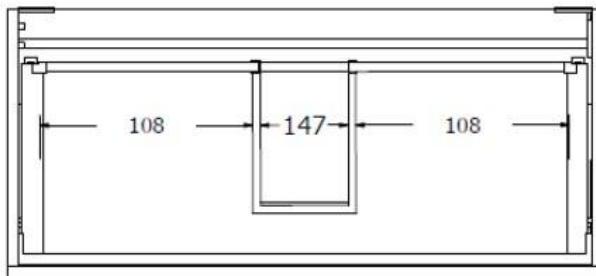
crosswater[™]

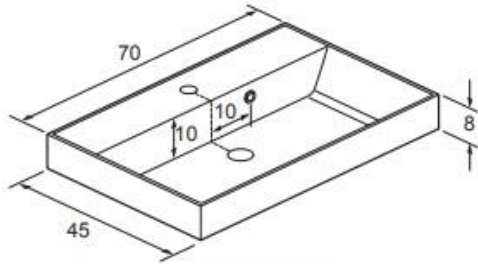
GLIDE II 500mm FURNITURE

Side View—drawer extension

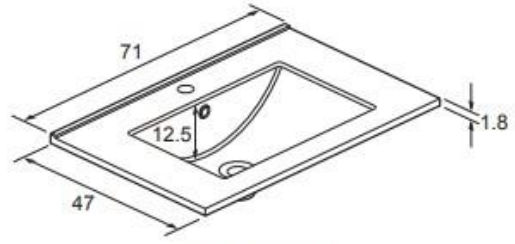


Plan View

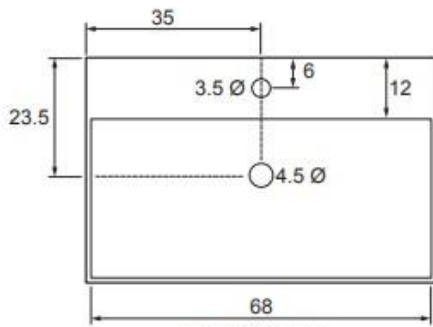
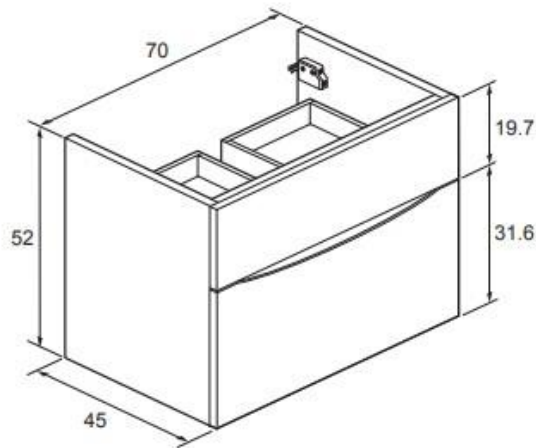
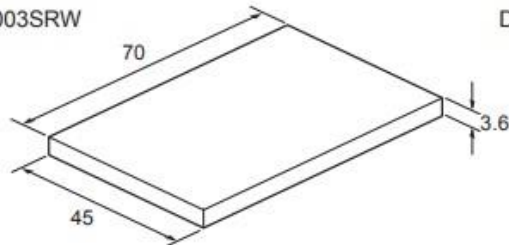




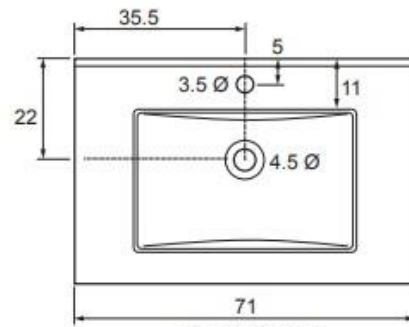
DE0003SRW



DE0003SCW



DE0003SRW



DE0003SCW

GLIDE II 70cm CAST MARBLE BASIN - DE0003SRW
 GLIDE II 70cm CERAMIC BASIN - DE0003SCW
 GLIDE II 70cm WORKTOP GL7000T
 GLIDE II 70cm BASIN UNIT GL7000D

Dimensions in Centimeters

Measurements in millimetres mm

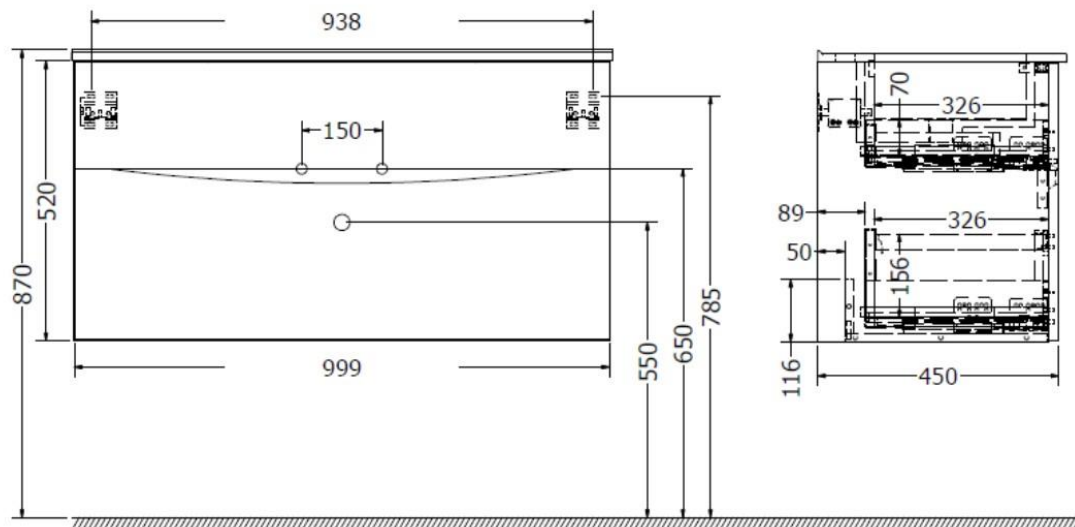
Information updated May 2021

Tel 0345 873 8840

crosswater[™]

Glide II 1000mm FURNITURE

| TECHNICAL DATA | | SPECIFICATION | |
|----------------------------|--|----------------------------------|--|
| CODE No UNIT | GL1000DXX+ | Installation Information: | The intended installation wall needs to be strong enough for the weight of the furniture and basin. Wall fixings for solid walls included. |
| Required top | Ceramic basins - see prevailing Crossater Catalogue Cast Marble basins - see prevailing Crosswater catalogue Glass basins - see prevailing Crossater catalogue Solid surface worktop - see prevailing Crossater catalogue | | Laminate finishes/lacquer tested to ISO 22196 Measurement of antibacterial activity Graded Strong value of anit-bacterial effect A>3 |
| Recommended use: | Domestic, residential | | |
| Dimension Unit | w 1000 x d 450 x h 520mm | | |
| Installation: | Wall Hung | | |
| Materials: | Carcass and drawer front 18mm MDF Drawer set 18mm MDF | | |
| Specification: | Full extension soft close drawers - 30kg weight capacity Anti-tip wall hangers 120Kg capacity | | |
| Weight: | 36.66kg | | |
| Fitting: | Wall hangers integrated into carcass 3 way adjustable Wall brackets supplied | | |
| Required Fitting: | Compatible to basin requirement | | |
| Advised Fitting: | Space saving 50mm seal trap BTR0510W | | |
| Option Accessories: | BTR0410W and BTR0510W basin traps | | |
| Warranty | 10 years on furniture | | |



Measurements in millimetres mm

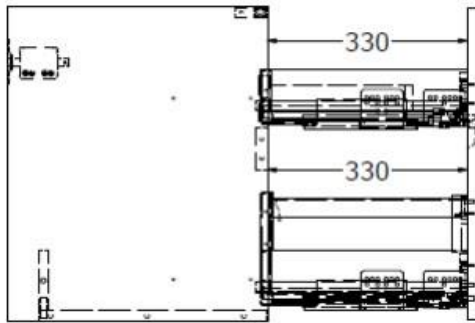
Information updated May 2021

Tel 0345 873 8840

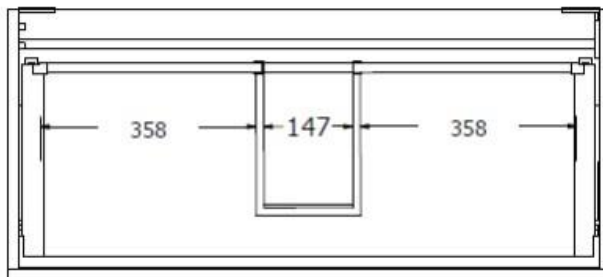
crosswater[™]

GLIDE II 100mm FURNITURE

Side View—drawer extension



Plan View



PRODUCT DATA SHEET

crosswater[®]



PRODUCT CODE
FB0511SRW

RANGE
FURN BASIN

DESCRIPTION
Furniture Basin 500mm 1TH White
Overflow

| | |
|-------------------------------------|----------------------|
| COLOUR | White |
| MATERIAL | Cast Mineral Marble |
| STANDARDS | EN 31/EN 14688 - CL0 |
| INSTALLATION TYPE | Furniture Mounted |
| DOP CLASS | 01-2017 |
| CAPACITY OF WATER AT OVERFLOW LEVEL | 15 L |
| BASIN WASTE SIZE | 45mm |
| TAP HOLES | 1TH |
| OVERFLOW | Yes |
| WARRANTY | 10 Years |

PRODUCT DATA SHEET

crosswater[®]



PRODUCT CODE
FB0510SRW

RANGE
FURN BASIN

DESCRIPTION
Furniture Basin 500mm 0TH White
Overflow

| | |
|--|----------------------|
| COLOUR | White |
| MATERIAL | Cast Mineral Marble |
| STANDARDS | EN 31/EN 14688 - CL0 |
| INSTALLATION TYPE | Furniture Mounted |
| DOP CLASS | 01-2017 |
| CAPACITY OF WATER AT OVERFLOW LEVEL | 15 L |
| BASIN WASTE SIZE | 45mm |
| TAP HOLES | 0TH |
| OVERFLOW | Yes |
| WARRANTY | 10 Years |

Measurements in millimetres mm

Information updated July 2020

Tel 0345 873 8840

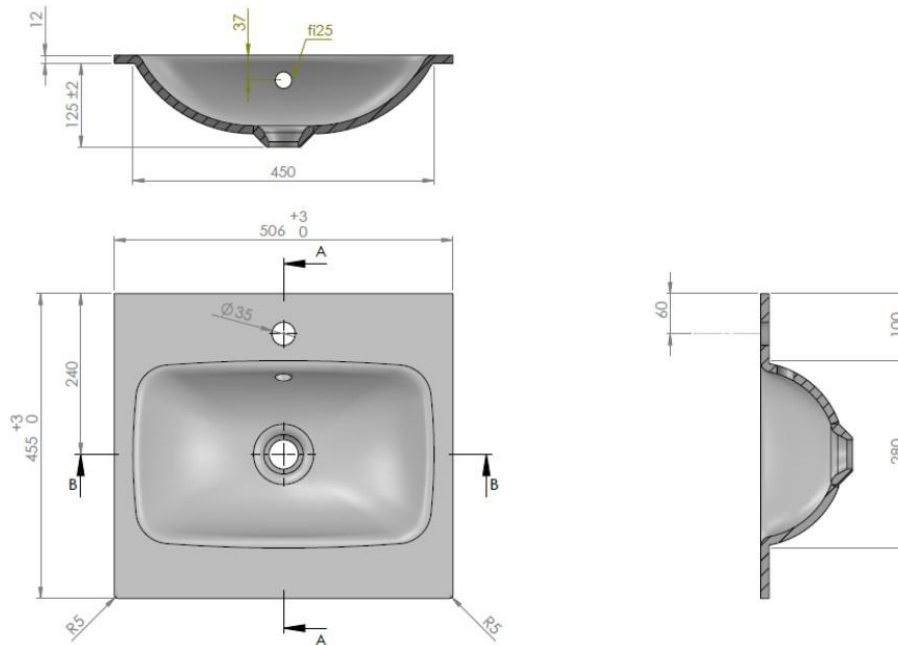
crosswater[™]

GLIDE II 500mm Glass Basin



| TECHNICAL DATA | SPECIFICATION |
|--------------------------|--|
| CODE No | GL0510SIW+ No tap hole GL0511SIW+ Single Tap Hole |
| Compatible with: | GL5000Dxx+ |
| Recommended use | Domestic, hotel, residential |
| Material | Low Iron Soda Lime Silicate Glass EN572-9:2005 |
| Standards | EN 14688 – CL 0 EN31 |
| Required Fitting: | Universal Basin Waste BSW0260C-PRO0260X |
| Colour | Gloss finish Ice White |
| Specification | 1 centre tap hole or no tap hole Over flow, including chrome overflow cover |
| Fixing | Furniture carcass only |
| Weight | 10kg |
| Warranty | 10 years |

Furniture basin
EN 31/EN 14688 – CL 0
Dimensions w 506 x d 455 x h 12mm
Tested in accordance with EN 14688:2009, 4.3
Maximum water Temperature 70°C



Sizes detailed could have a variation of about +/-5% due to the changes to material characteristics during the firing processes. Exact measurements for individual installations can only be taken from the finished basin.

Measurements in millimetres mm

Information updated May 2021

Tel 0345 873 8840

crosswater[™]

GLIDE II 500mm Glass Basin

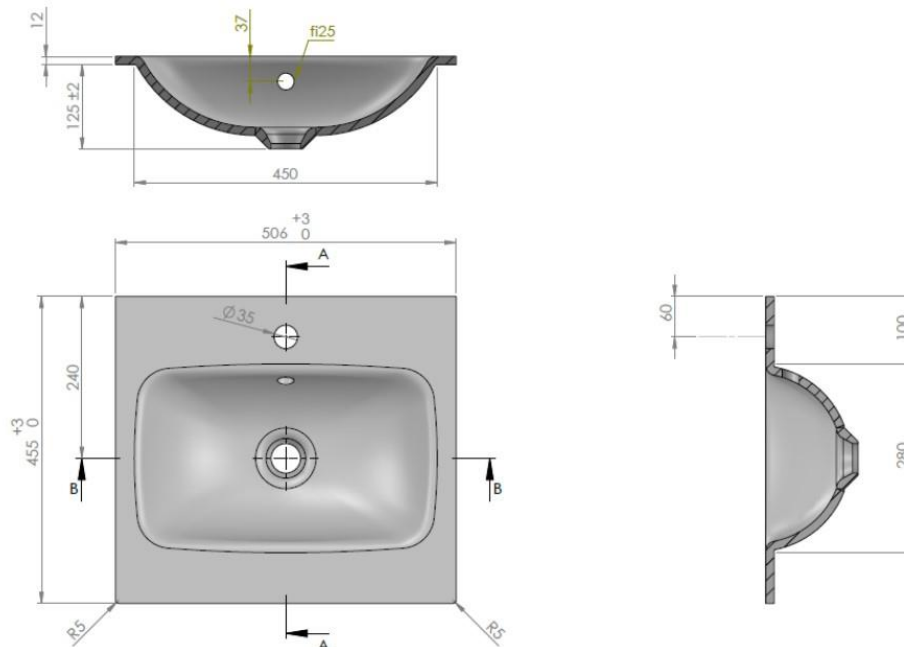


TECHNICAL DATA

| | |
|--------------------------|--|
| CODE No | GL0510SMB - No tap hole GL0511SMB - 1 tap hole |
| Compatible with: | GL500Dxx+ |
| Recommended use | Domestic, hotel, residential |
| Material | Low Iron Soda Lime Silicate Glass EN572-9:2005 |
| Standards | EN 14688 – CL 0 EN31 |
| Required Fitting: | Universal Basin Waste BSW0260C-PRO0260X |
| Colour | Matt finish Midnight Black |
| Specification | 1 centre tap hole or no tap hole Over flow, including matt black overflow cover |
| Fixing | Furniture carcass only |
| Weight | 7kg |
| Warranty | 10 years |

SPECIFICATION

Furniture basin
EN 31/EN 14688 – CL 0
Dimensions w 506 x d 455 x h 12mm
Tested in accordance with EN 14688:2009, 4.3
Maximum water Temperature 70°C



Sizes detailed could have a variation of about +/-5 % due to the changes to material characteristics during the firing processes. Exact measurements for individual installations can only be taken from the finished basin.

PRODUCT DATA SHEET

crosswater[®]



PRODUCT CODE
DE0005SCW+

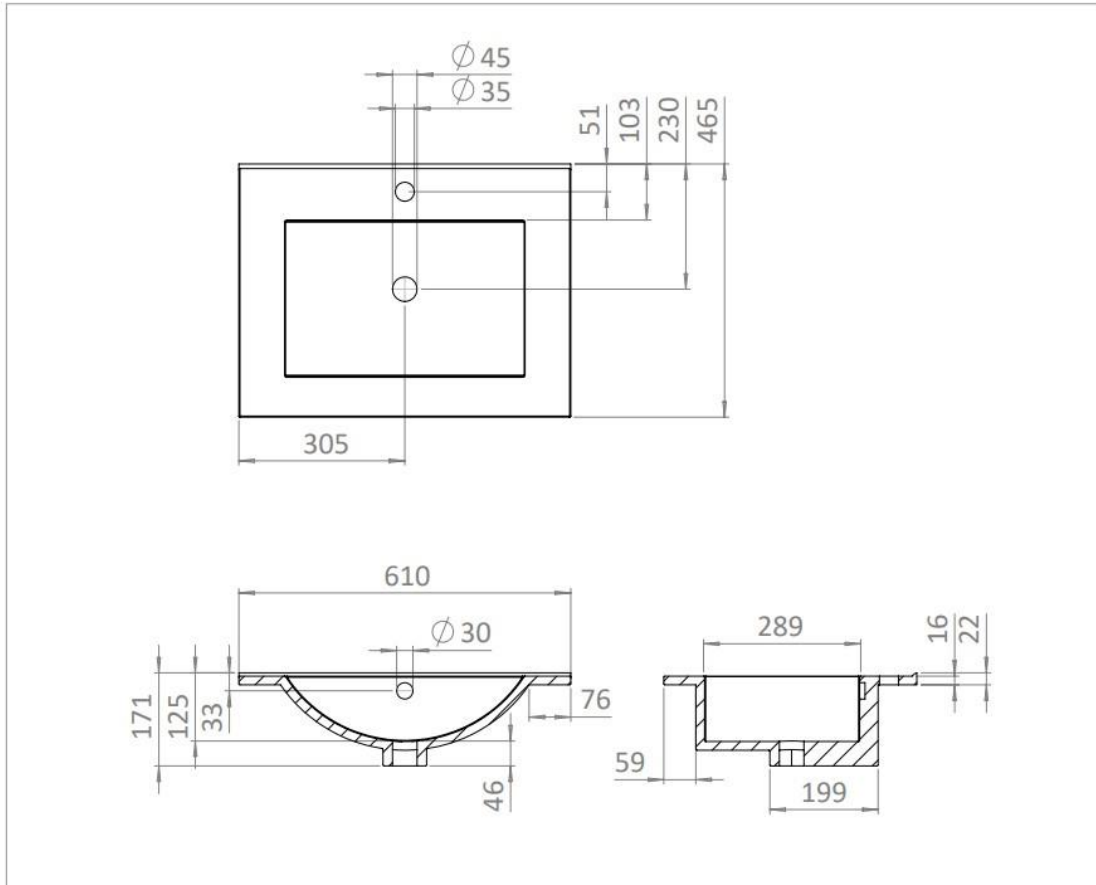
RANGE
GLIDE II

DESCRIPTION
Basin 600mm Ceramic White Overflow

| | |
|-------------------------------------|-----------------------------|
| COLOUR | White |
| COLOUR CODE/ REFERENCE | N/A |
| MATERIAL | Gelcoat Cast Mineral Marble |
| STANDARDS | EN 31/EN 14688 - CLO |
| INSTALLATION TYPE | Furniture Mounted |
| DOP CLASS | 01-2017 |
| CAPACITY OF WATER AT OVERFLOW LEVEL | 15 L |
| BASIN WASTE SIZE | 45mm |
| TAP HOLES | 1 |
| OVERFLOW | Yes |
| WARRANTY | 10 Years |

TECHNICAL DIMENSIONS

Dimensions in mm unless otherwise specified.
Tolerances (per material type) apply.



PRODUCT DATA SHEET

crosswater[®]



PRODUCT CODE
FB0611SRW

RANGE
FURN BASIN

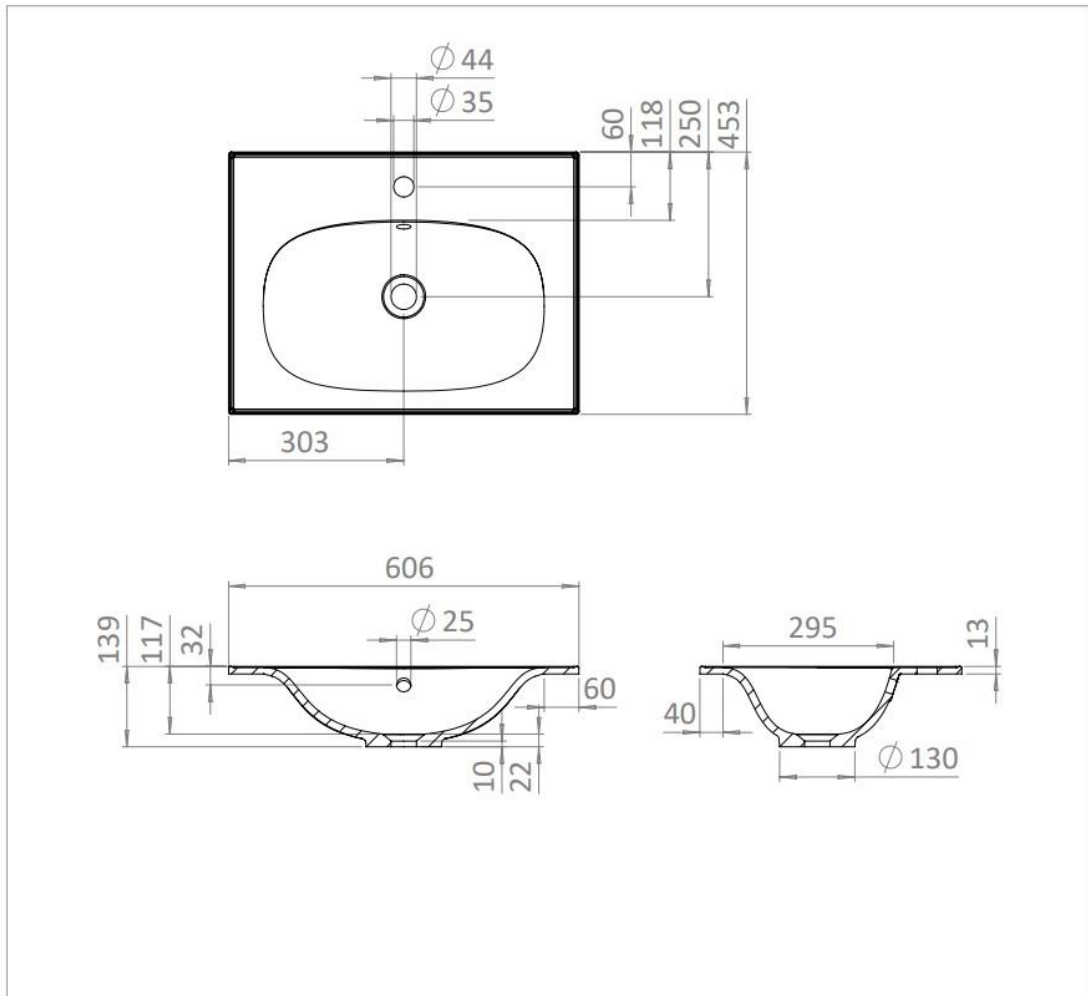
DESCRIPTION
Furniture Basin 600mm 1TH White
Overflow

| | |
|-------------------------------------|----------------------|
| COLOUR | White |
| MATERIAL | Cast Mineral Marble |
| STANDARDS | EN 31/EN 14688 - CLO |
| INSTALLATION TYPE | Furniture Mounted |
| DOP CLASS | 01-2017 |
| CAPACITY OF WATER AT OVERFLOW LEVEL | 15 L |
| BASIN WASTE SIZE | 45mm |
| TAP HOLES | 1TH |
| OVERFLOW | Yes |
| WARRANTY | 10 Years |

TECHNICAL DIMENSIONS

Dimensions in mm unless otherwise specified.

Tolerances (per material type) apply.



PRODUCT DATA SHEET

crosswater[®]



PRODUCT CODE
FB0610SRW

RANGE
FURN BASIN

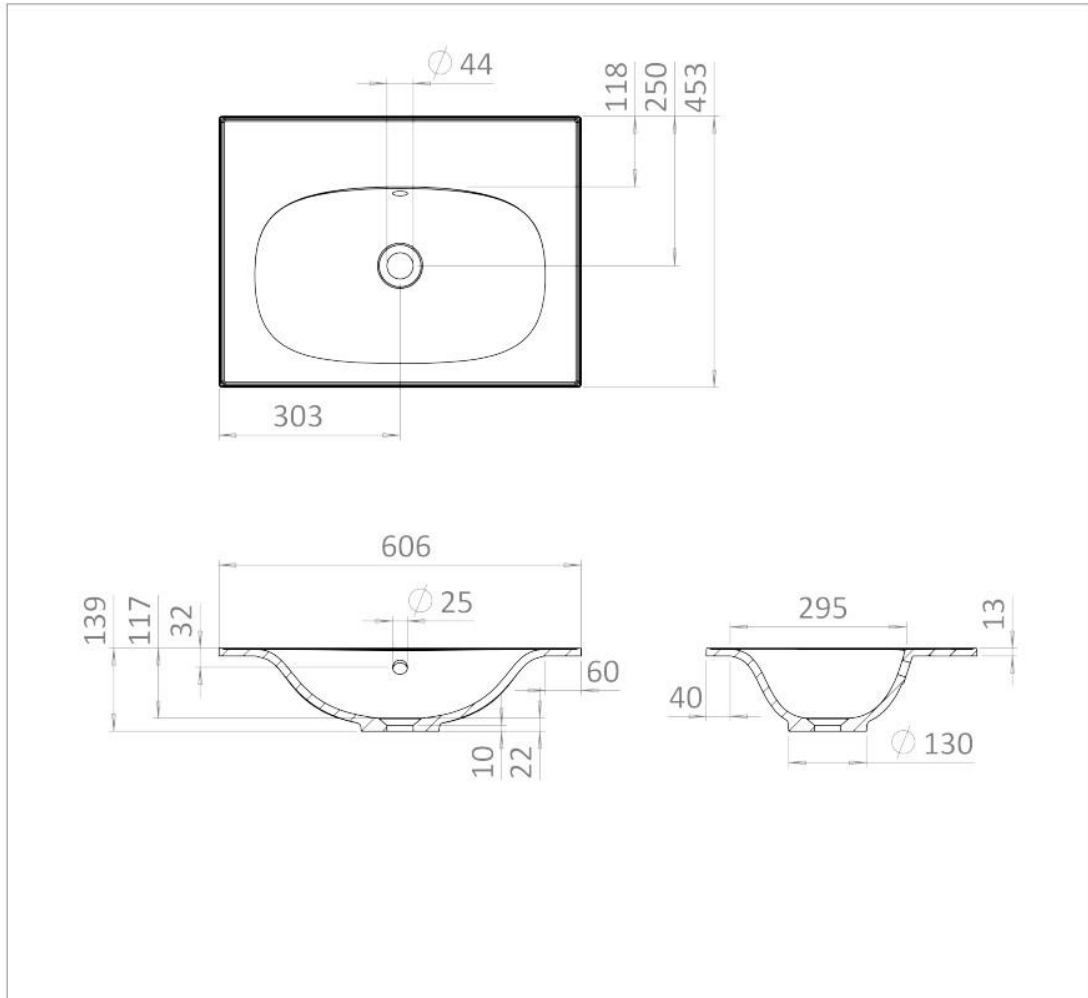
DESCRIPTION
Furniture Basin 600mm 0TH White
Overflow

| | |
|--|----------------------|
| COLOUR | White |
| MATERIAL | Cast Mineral Marble |
| STANDARDS | EN 31/EN 14688 - CL0 |
| INSTALLATION TYPE | Furniture Mounted |
| DOP CLASS | 01-2017 |
| CAPACITY OF WATER AT OVERFLOW LEVEL | 15 L |
| BASIN WASTE SIZE | 45mm |
| TAP HOLES | 0TH |
| OVERFLOW | Yes |
| WARRANTY | 10 Years |

TECHNICAL DIMENSIONS

Dimensions in mm unless otherwise specified.

Tolerances (per material type) apply.



PRODUCT DATA SHEET

crosswater[®]



PRODUCT CODE
GL0611SIW

RANGE
GLIDE II

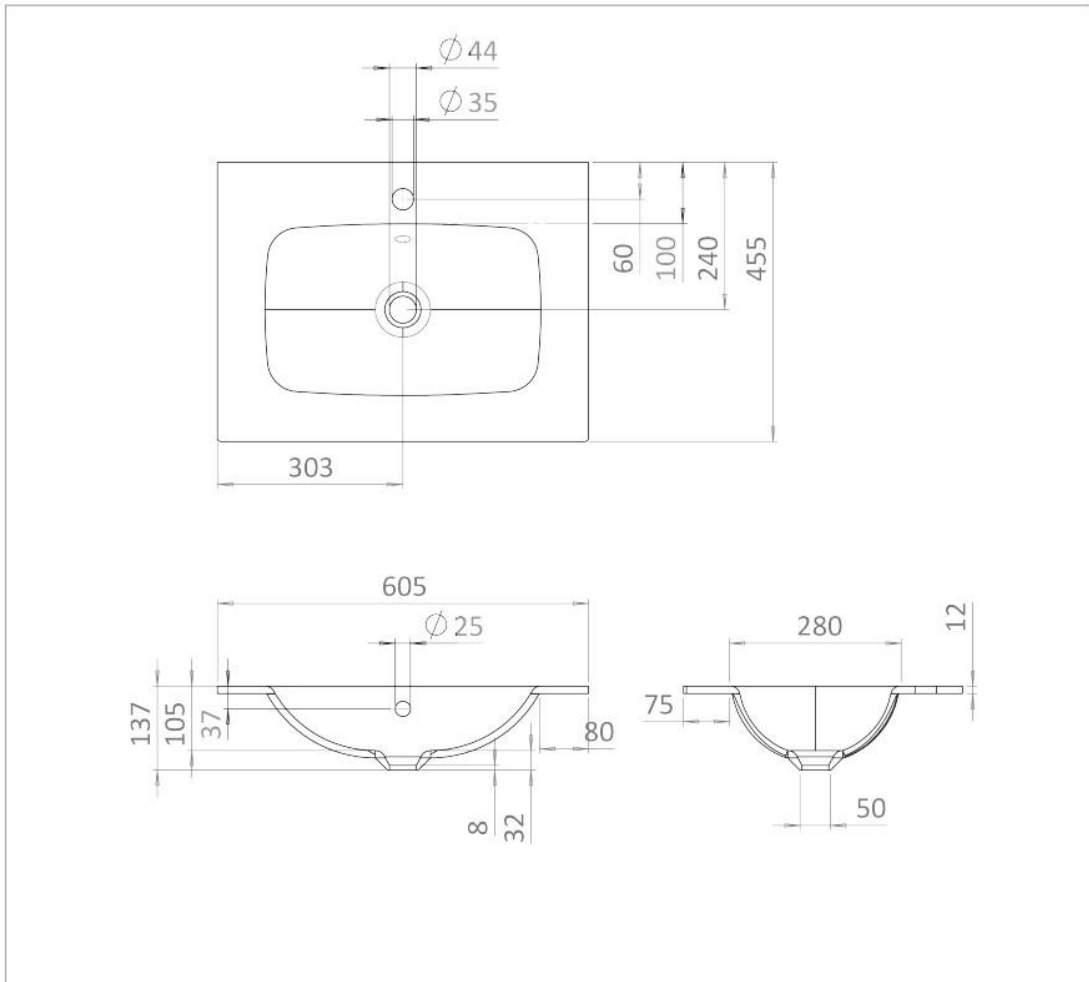
DESCRIPTION
600mm Basin 1TH Ice White

| | |
|-------------------------------------|----------------------|
| COLOUR | Ice White |
| MATERIAL | Glass |
| STANDARDS | EN 31/EN 14688 - CLO |
| INSTALLATION TYPE | Furniture Mounted |
| DOP CLASS | 01-2017 |
| CAPACITY OF WATER AT OVERFLOW LEVEL | 15 L |
| BASIN WASTE SIZE | 45mm |
| TAP HOLES | 1TH |
| OVERFLOW | Yes |
| WARRANTY | 10 Years |

TECHNICAL DIMENSIONS

Dimensions in mm unless otherwise specified.

Tolerances (per material type) apply.



PRODUCT DATA SHEET

crosswater[®]



PRODUCT CODE
GL0610SIW

RANGE
GLIDE II

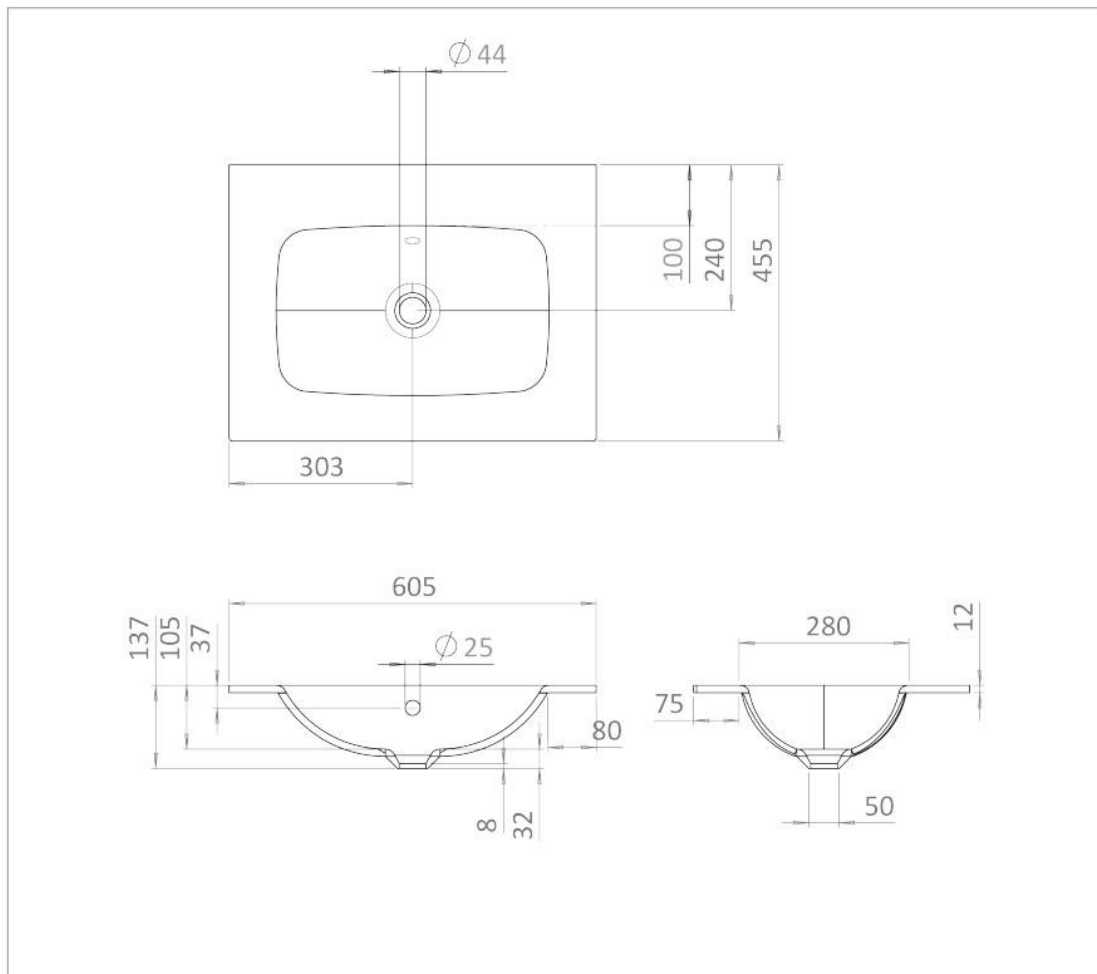
DESCRIPTION
600mm Basin 0TH Ice White

| | |
|-------------------------------------|----------------------|
| COLOUR | Ice White |
| MATERIAL | Glass |
| STANDARDS | EN 31/EN 14688 - CLO |
| INSTALLATION TYPE | Furniture Mounted |
| DOP CLASS | 01-2017 |
| CAPACITY OF WATER AT OVERFLOW LEVEL | 15 L |
| BASIN WASTE SIZE | 45mm |
| TAP HOLES | 0TH |
| OVERFLOW | Yes |
| WARRANTY | 10 Years |

TECHNICAL DIMENSIONS

Dimensions in mm unless otherwise specified.

Tolerances (per material type) apply.



PRODUCT DATA SHEET

crosswater[®]



PRODUCT CODE
GL0611SMB

RANGE
GLIDE II

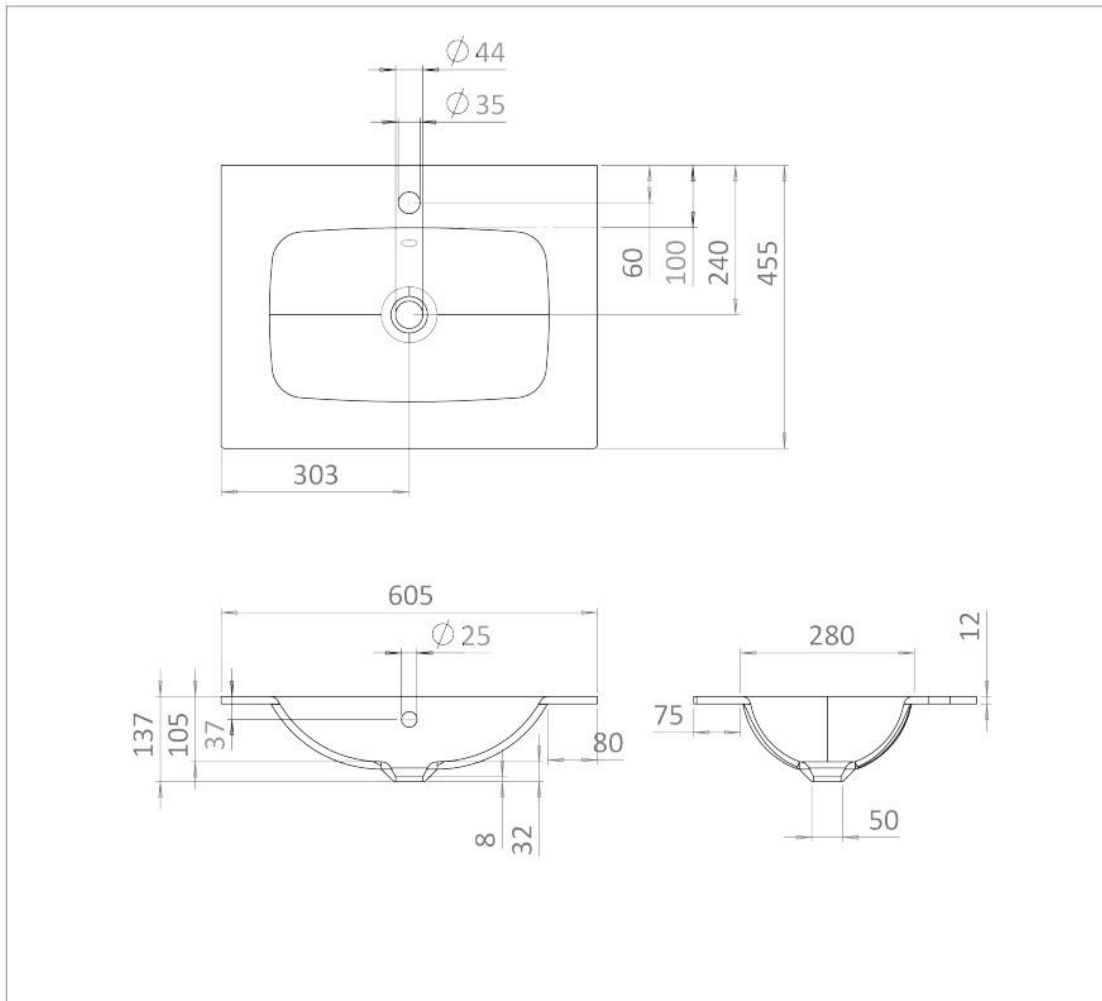
DESCRIPTION
600mm Basin 1TH Midnight Black

| | |
|-------------------------------------|----------------------|
| COLOUR | Midnight Black |
| MATERIAL | Glass |
| STANDARDS | EN 31/EN 14688 - CLO |
| INSTALLATION TYPE | Furniture Mounted |
| DOP CLASS | 01-2017 |
| CAPACITY OF WATER AT OVERFLOW LEVEL | 15 L |
| BASIN WASTE SIZE | 45mm |
| TAP HOLES | 1TH |
| OVERFLOW | Yes |
| WARRANTY | 10 Years |

TECHNICAL DIMENSIONS

Dimensions in mm unless otherwise specified.

Tolerances (per material type) apply.



PRODUCT DATA SHEET

crosswater[®]



PRODUCT CODE
GL0610SMB

RANGE
GLIDE II

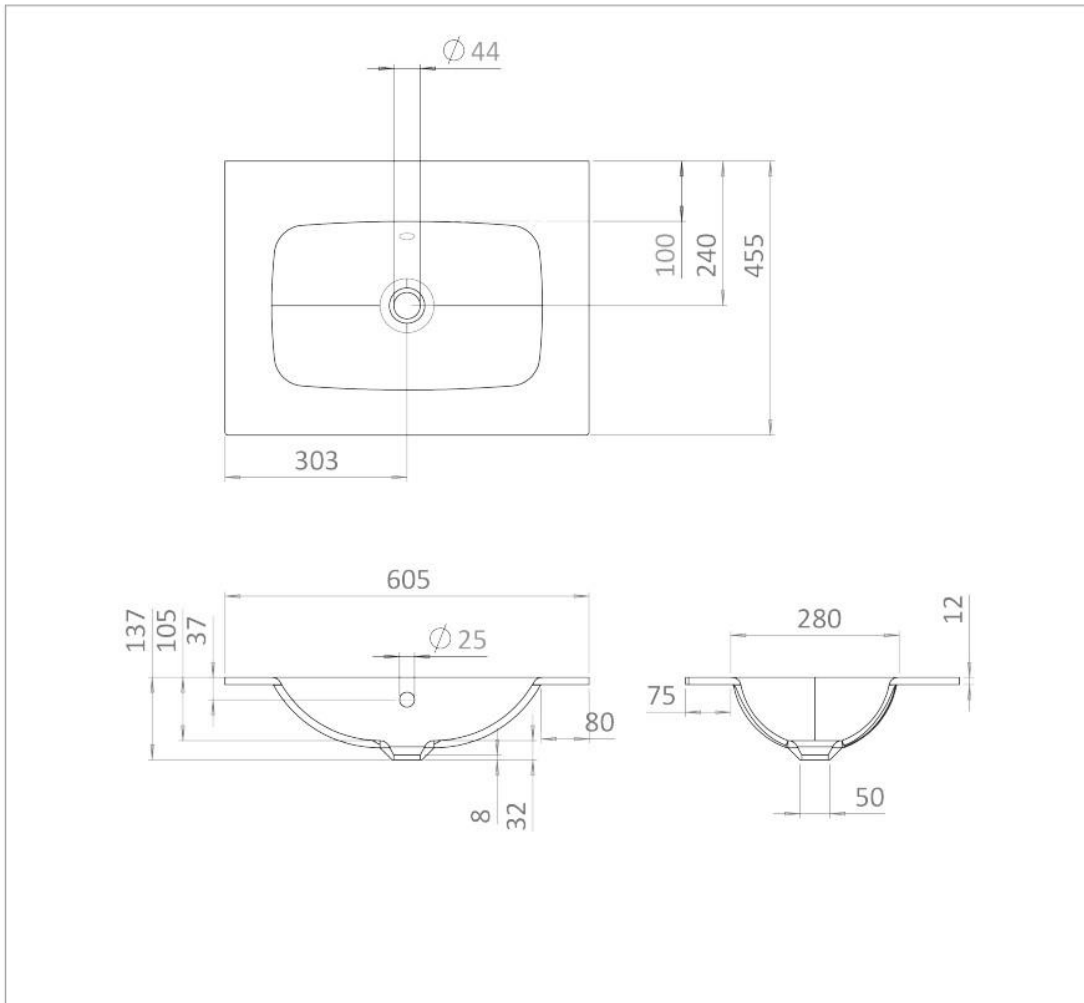
DESCRIPTION
600mm Basin 0TH Midnight Black

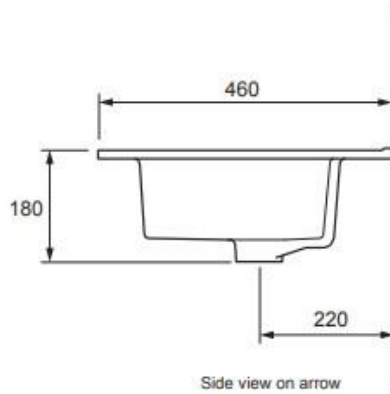
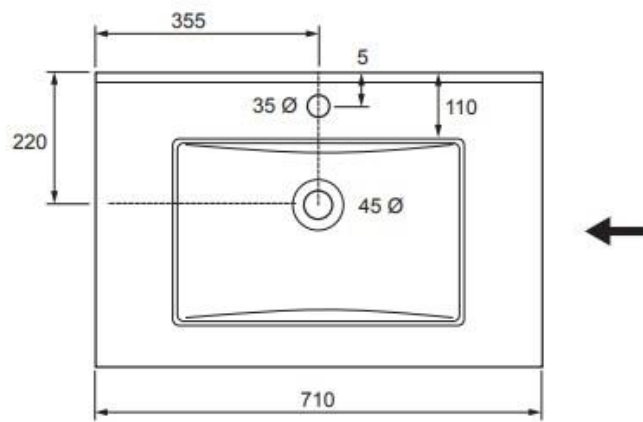
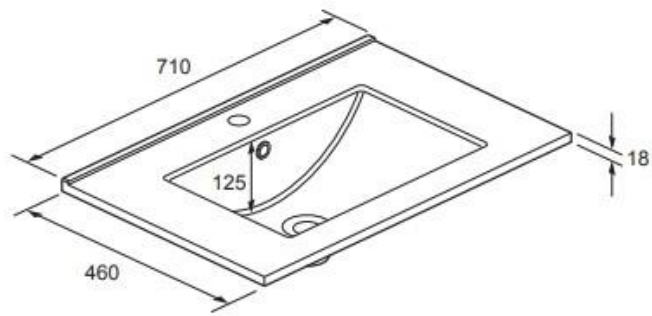
| | |
|-------------------------------------|----------------------|
| COLOUR | Midnight Black |
| MATERIAL | Glass |
| STANDARDS | EN 31/EN 14688 - CLO |
| INSTALLATION TYPE | Furniture Mounted |
| DOP CLASS | 01-2017 |
| CAPACITY OF WATER AT OVERFLOW LEVEL | 15 L |
| BASIN WASTE SIZE | 45mm |
| TAP HOLES | 0TH |
| OVERFLOW | Yes |
| WARRANTY | 10 Years |

TECHNICAL DIMENSIONS

Dimensions in mm unless otherwise specified.

Tolerances (per material type) apply.





Dimensions in Millimeters

GLIDE II 70cm CERAMIC BASIN - DE0003SCW+

PRODUCT DATA SHEET

crosswater[®]



PRODUCT CODE
FB0711SRW

RANGE
FURN BASIN

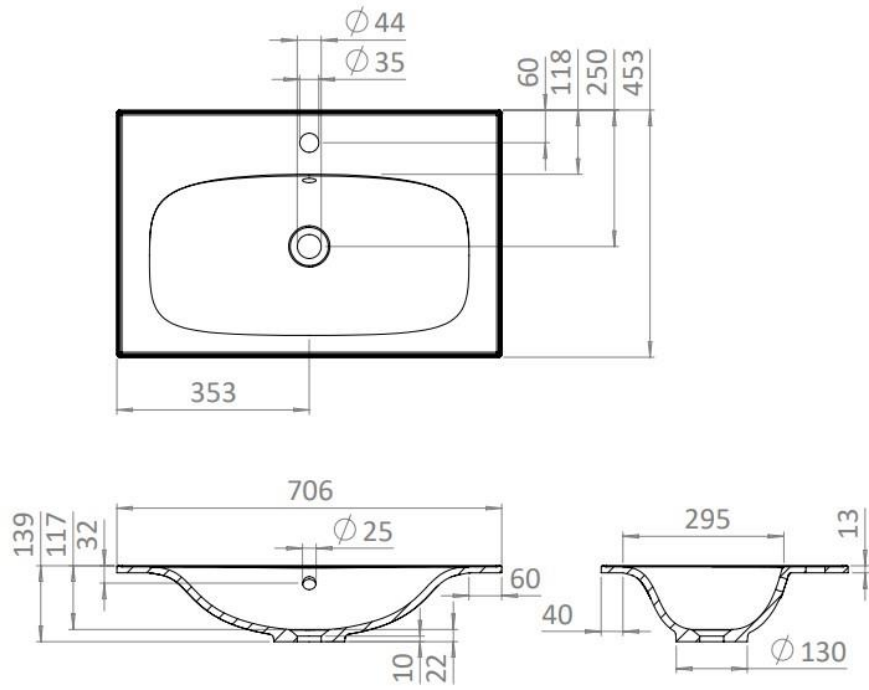
DESCRIPTION
Furniture Basin 700mm 1TH White
Overflow

| | |
|--|----------------------|
| COLOUR | White |
| MATERIAL | Cast Mineral Marble |
| STANDARDS | EN 31/EN 14688 - CLO |
| INSTALLATION TYPE | Furniture Mounted |
| DOP CLASS | 01-2017 |
| CAPACITY OF WATER AT OVERFLOW LEVEL | 15 L |
| BASIN WASTE SIZE | 45mm |
| TAP HOLES | 1TH |
| OVERFLOW | Yes |
| WARRANTY | 10 Years |

TECHNICAL DIMENSIONS

Dimensions in mm unless otherwise specified.

Tolerances (per material type) apply.



PRODUCT DATA SHEET

crosswater[®]



PRODUCT CODE
FB0710SRW

RANGE
FURN BASIN

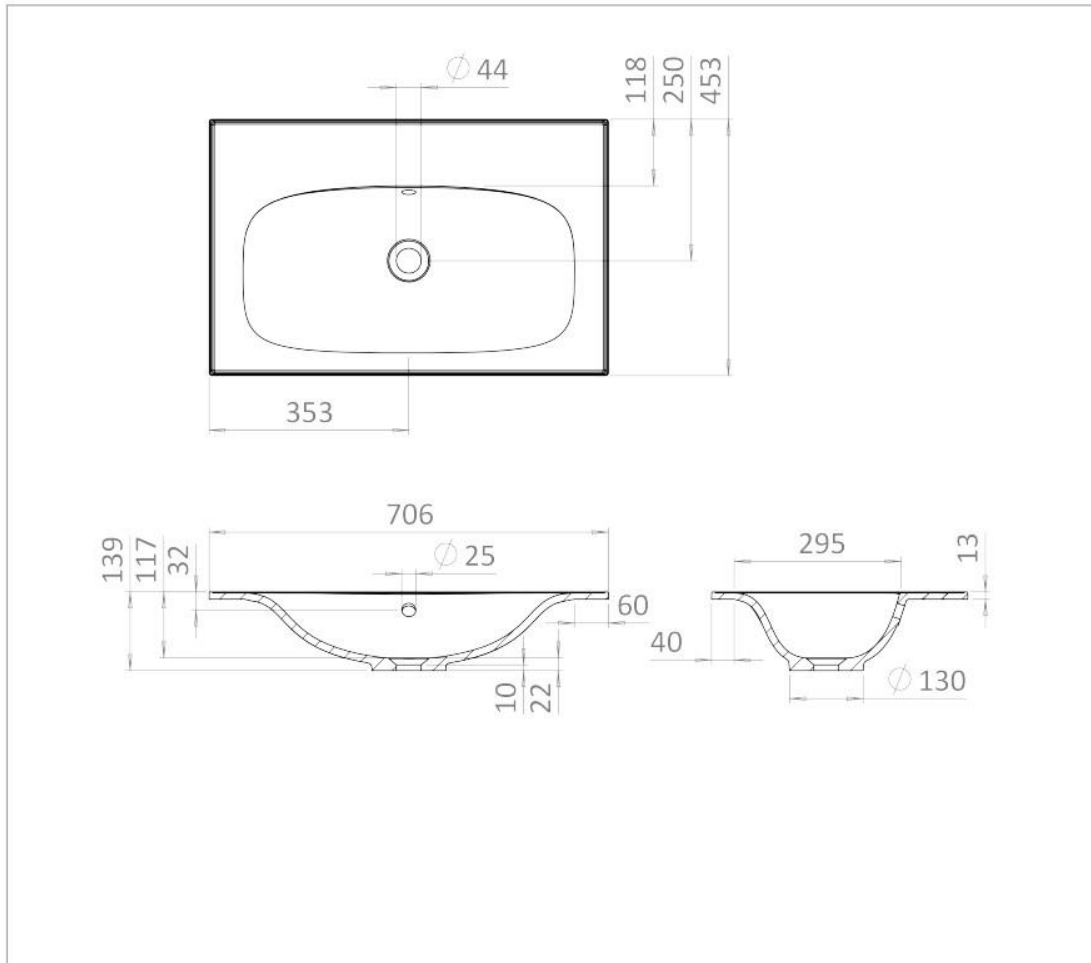
DESCRIPTION
Furniture Basin 700mm 0TH White
Overflow

| | |
|--|----------------------|
| COLOUR | White |
| MATERIAL | Cast Mineral Marble |
| STANDARDS | EN 31/EN 14688 - CLO |
| INSTALLATION TYPE | Furniture Mounted |
| DOP CLASS | 01-2017 |
| CAPACITY OF WATER AT OVERFLOW LEVEL | 15 L |
| BASIN WASTE SIZE | 45mm |
| TAP HOLES | 0TH |
| OVERFLOW | Yes |
| WARRANTY | 10 Years |

TECHNICAL DIMENSIONS

Dimensions in mm unless otherwise specified.

Tolerances (per material type) apply.



Measurements in millimetres mm

Information updated July 2020

Tel 0345 873 8840

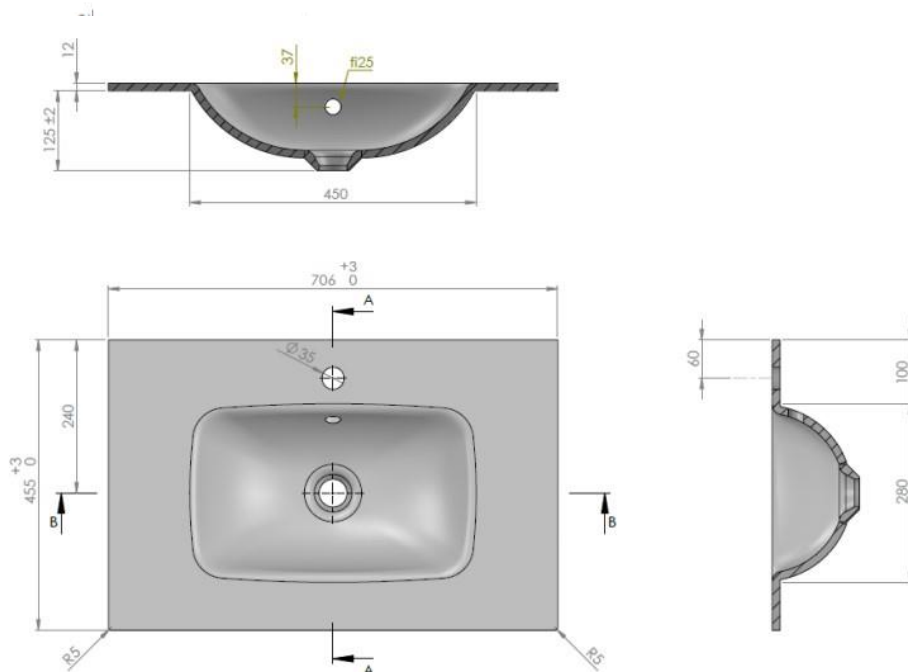
crosswater[™]

GLIDE II 700mm Glass Basin



| TECHNICAL DATA | SPECIFICATION |
|--------------------------|--|
| CODE No | GL0710SIW+ No tap hole GL0711SIW+ Single Tap Hole |
| Compatible with: | GL7000Dxx+ |
| Recommended use | Domestic, hotel, residential |
| Material | Low Iron Soda Lime Silicate Glass EN572-9:2005 |
| Standards | EN 14688 – CL 0 EN31 |
| Required Fitting: | Universal Basin Waste BSW0260C-PRO0260X |
| Colour | Gloss finish Ice White |
| Specification | 1 centre tap hole or no tap hole Over flow, including chrome overflow cover |
| Fixing | Furniture carcass only |
| Weight | 10kg |
| Warranty | 10 years |

Furniture basin
EN 31/EN 14688 – CL 0
Dimensions w 706 x d 455 x h 12mm
Tested in accordance with EN 14688:2009, 4.3
Maximum water Temperature 70°C



Sizes detailed could have a variation of about +/-5% due to the changes to material characteristics during the firing processes. Exact measurements for individual installations can only be taken from the finished basin.

Measurements in millimetres mm

Information updated May 2021

Tel 0345 873 8840

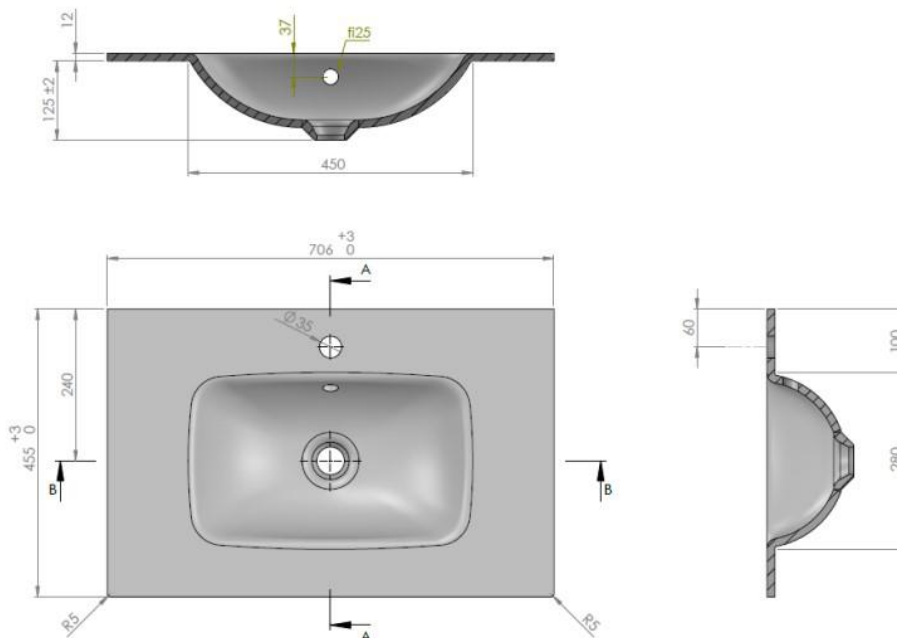
crosswaterTM

GLIDE II 700mm Glass Basin

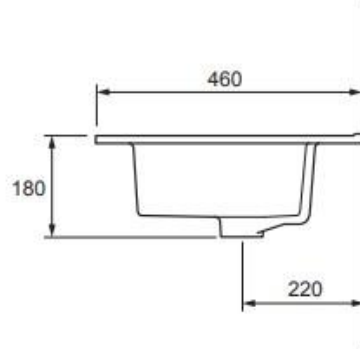
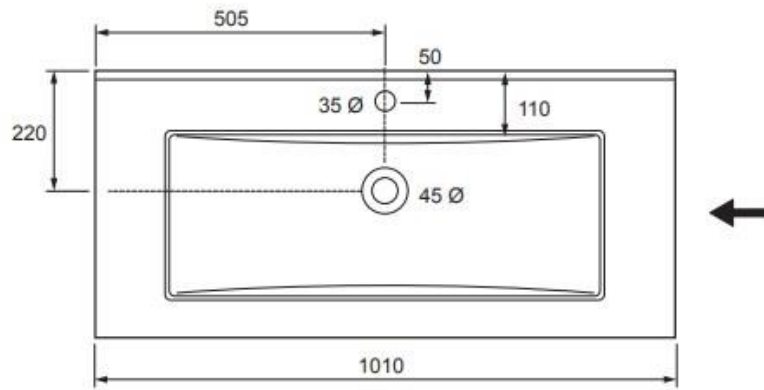
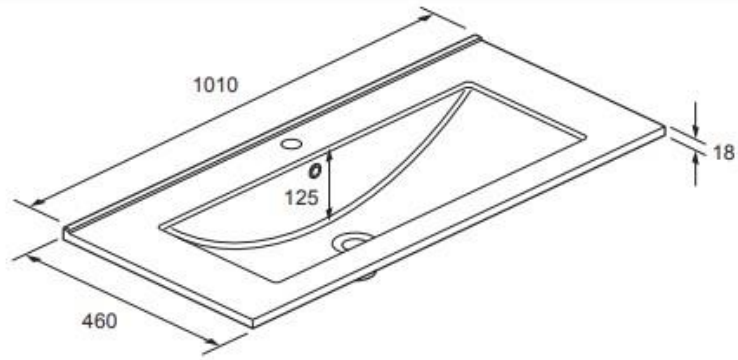


| TECHNICAL DATA | SPECIFICATION |
|--------------------------|--|
| CODE No | GL0710SMB - No tap hole GL0711SMB - Single tap hole |
| Compatible with: | GL7000Dxx+ |
| Recommended use | Domestic, hotel, residential |
| Material | Low Iron Soda Lime Silicate Glass EN572-9:2005 |
| Standards | EN 14688 – CL 0 EN31 |
| Required Fitting: | Universal Basin Waste BSW0260C-PRO0260X |
| Colour | Matt finish Midnight Black |
| Specification | 1 centre tap hole or no tap hole Over flow, including matt black overflow cover |
| Fixing | Furniture carcass only |
| Weight | 10kg |
| Warranty | 10 years |

Furniture basin
EN 31/EN 14688 – CL 0
Dimensions w 706 x d 455 x h 12mm
Tested in accordance with EN 14688:2009, 4.3
Maximum water Temperature 70°C



Sizes detailed could have a variation of about +/-5 % due to the changes to material characteristics during the firing processes. Exact measurements for individual installations can only be taken from the finished basin.



Side view on arrow

Dimensions in Millimeters

GLIDE II 100cm CERAMIC BASIN - DE0004SCW+

PRODUCT DATA SHEET

crosswater[®]



PRODUCT CODE
FB1011SRW

RANGE
FURN BASIN

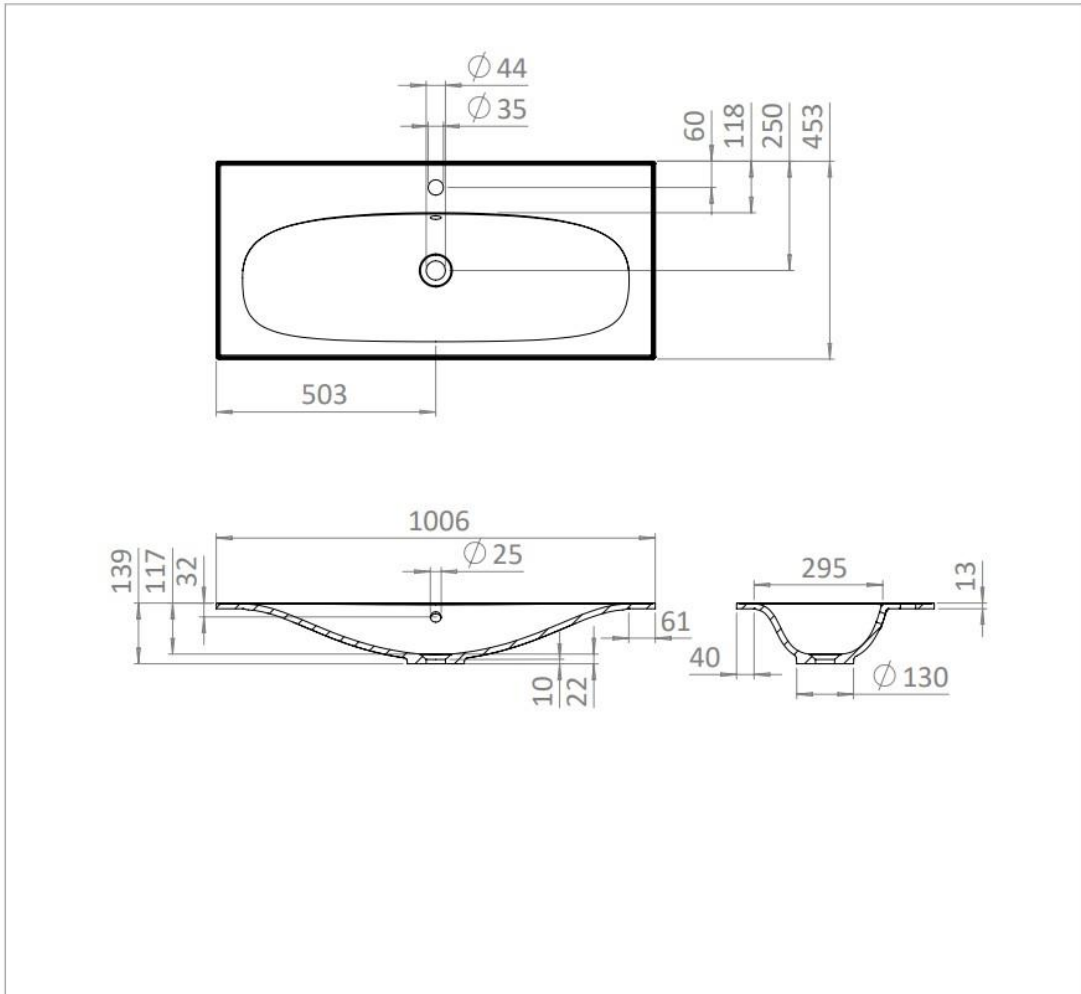
DESCRIPTION
Furniture Basin 1000mm 1TH White
Overflow

| | |
|--|----------------------|
| COLOUR | White |
| MATERIAL | Cast Mineral Marble |
| STANDARDS | EN 31/EN 14688 - CL0 |
| INSTALLATION TYPE | Furniture Mounted |
| DOP CLASS | 01-2017 |
| CAPACITY OF WATER AT OVERFLOW LEVEL | 15 L |
| BASIN WASTE SIZE | 45mm |
| TAP HOLES | 1TH |
| OVERFLOW | Yes |
| WARRANTY | 10 Years |

TECHNICAL DIMENSIONS

Dimensions in mm unless otherwise specified.

Tolerances (per material type) apply.



PRODUCT DATA SHEET

crosswater[®]



PRODUCT CODE
FB1010SRW

RANGE
FURN BASIN

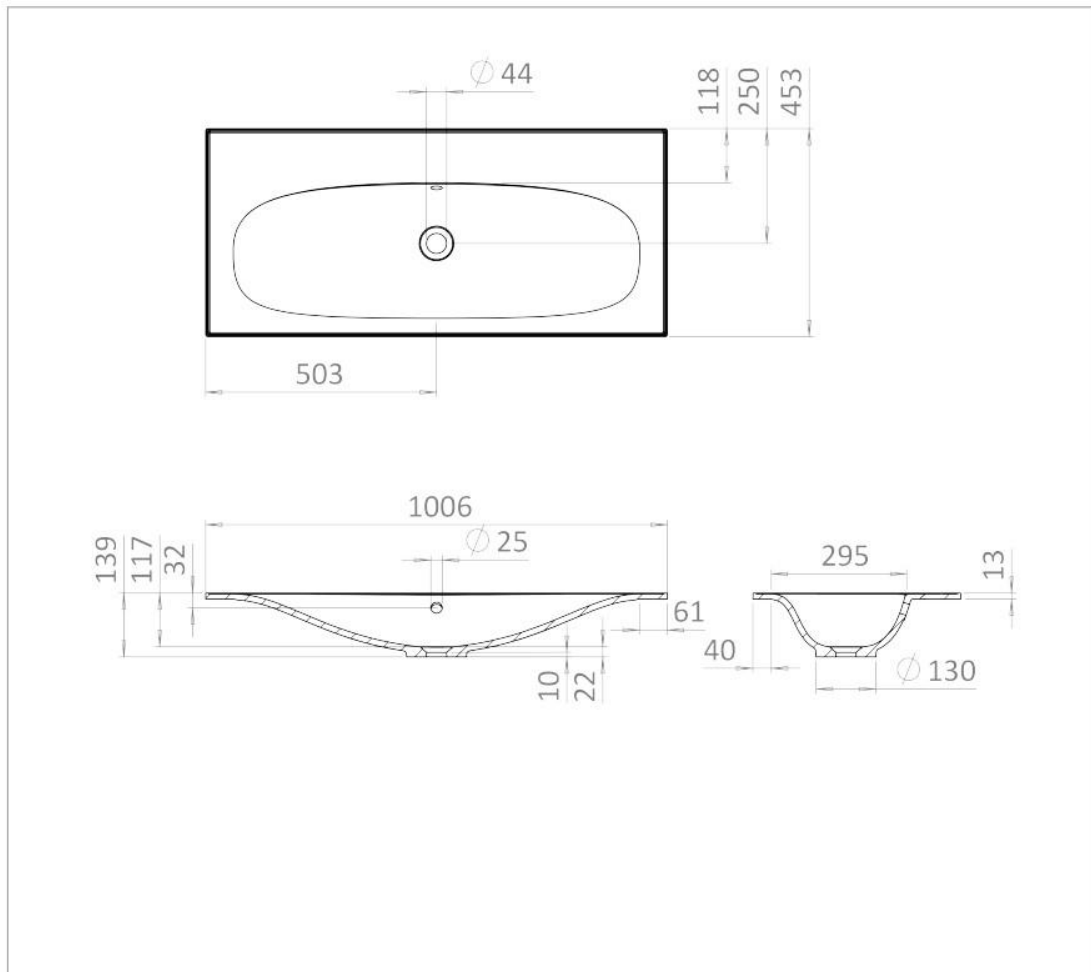
DESCRIPTION
Furniture Basin 1000mm 0TH White
Overflow

| | |
|--|----------------------|
| COLOUR | White |
| MATERIAL | Cast Mineral Marble |
| STANDARDS | EN 31/EN 14688 - CL0 |
| INSTALLATION TYPE | Furniture Mounted |
| DOP CLASS | 01-2017 |
| CAPACITY OF WATER AT OVERFLOW LEVEL | 15 L |
| BASIN WASTE SIZE | 45mm |
| TAP HOLES | 0TH |
| OVERFLOW | Yes |
| WARRANTY | 10 Years |

TECHNICAL DIMENSIONS

Dimensions in mm unless otherwise specified.

Tolerances (per material type) apply.



Measurements in millimetres mm

Information updated July 2020

Tel 0345 873 8840

crosswater[™]

GLIDE II 1000mm Glass Basin

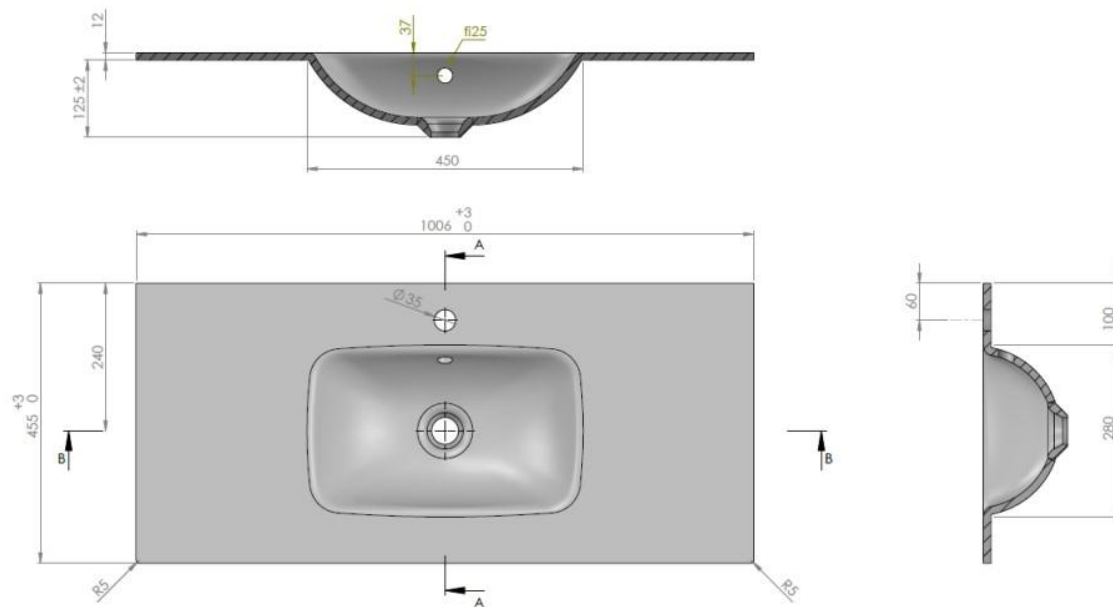


TECHNICAL DATA

| | |
|--------------------------|--|
| CODE No | GL1010SIW no tap hole GL1011SIW Single tap hole |
| Compatible with: | GL1000Dxx+ |
| Recommended use | Domestic, hotel, residential |
| Material | Low Iron Soda Lime Silicate Glass EN572-9:2005 |
| Standards | EN 14688 – CL 0 EN31 |
| Required Fitting: | Universal Basin Waste BSW0260C-PRO0260X |
| Colour | Gloss finish Ice White |
| Specification | 1 centre tap hole or no tap hole Over flow, including chrome overflow cover |
| Fixing | Furniture carcass only |
| Weight | 14.2Kg |
| Warranty | 10 years |

SPECIFICATION

Furniture basin
EN 31/EN 14688 – CL 0
Dimensions w 1006 x d 455 x h 12mm
Tested in accordance with EN 14688:2009, 4.3
Maximum water Temperature 70°C



Sizes detailed could have a variation of about +/- 5 % due to the changes to material characteristics during the firing processes. Exact measurements for individual installations can only be taken from the finished basin.

Measurements in millimetres mm

Information updated May 2021

Tel 0345 873 8840



crosswaterTM

GLIDE II 1000mm Glass Basin

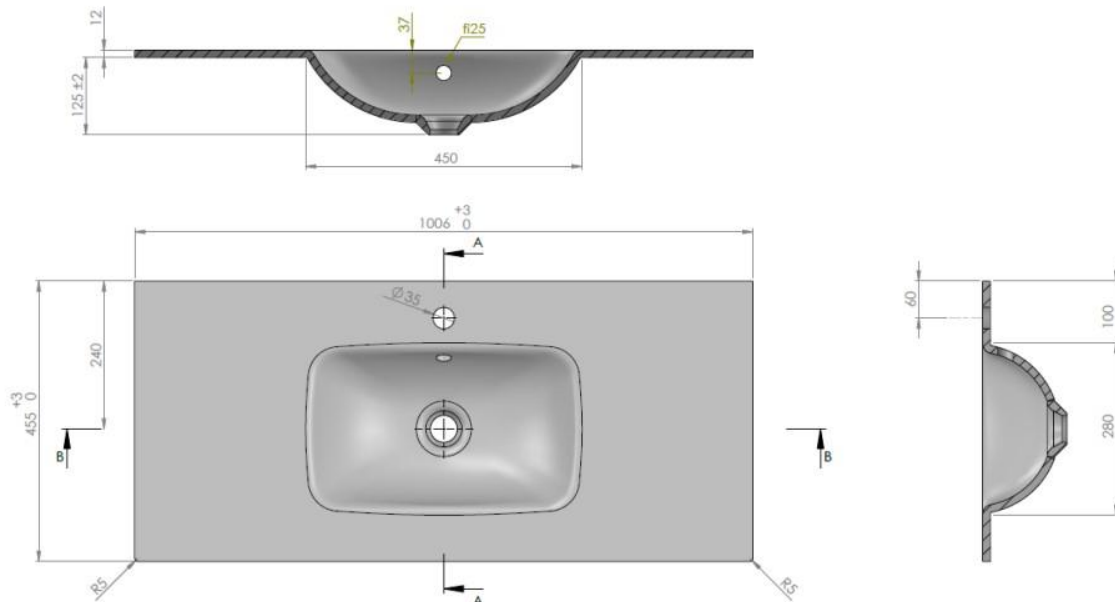


TECHNICAL DATA

| | |
|--------------------------|--|
| CODE No | GL1010SMB - No tap hole GL1011SMB - Single tap hole |
| Compatible with: | GL1000Dxx+ |
| Recommended use | Domestic, hotel, residential |
| Material | Low Iron Soda Lime Silicate Glass EN572-9:2005 |
| Standards | EN 14688 – CL 0 EN31 |
| Required Fitting: | Universal Basin Waste BSW0260C-PRO0260X |
| Colour | Matt finish Midnight Black |
| Specification | 1 centre tap hole or no tap hole Over flow, including matt black overflow cover |
| Fixing | Furniture carcass only |
| Weight | 14.2Kg |
| Warranty | 10 years |

SPECIFICATION

Furniture basin
EN 31/EN 14688 – CL 0
Dimensions w 1006 x d 455 x h 12mm
Tested in accordance with EN 14688:2009, 4.3
Maximum water Temperature 70°C



Sizes detailed could have a variation of about +/-5% due to the changes to material characteristics during the firing processes. Exact measurements for individual installations can only be taken from the finished basin.