

Measurements in millimetres mm

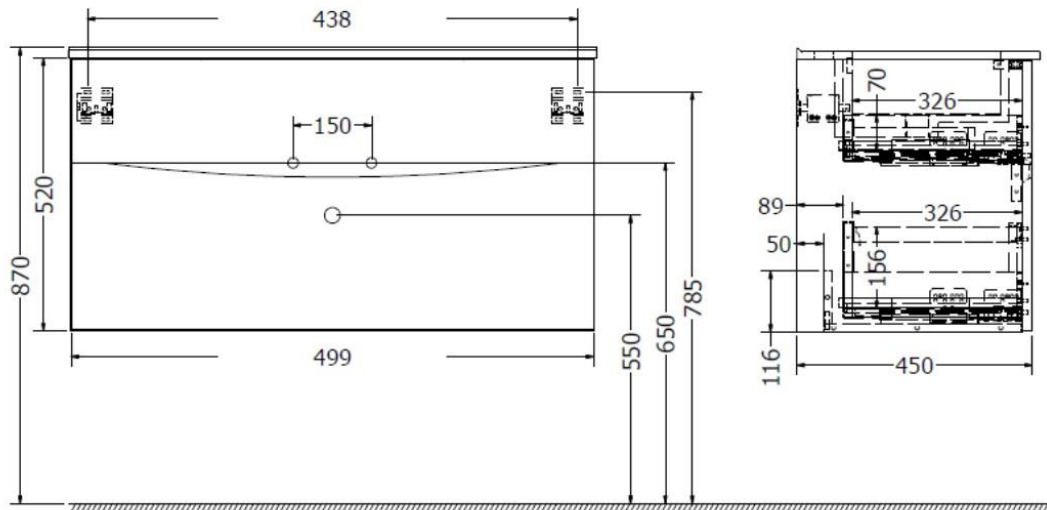
Information updated May 2021

Tel 0345 873 8840

crosswater[™]

Glide II 500mm FURNITURE

TECHNICAL DATA		SPECIFICATION
CODE No UNIT	GL5000DXX+	Installation Information: The intended installation wall needs to be strong enough for the weight of the furniture and basin. Wall fixings for solid walls included. Laminate finishes/lacquer tested to ISO 22196 Measurement of antibacterial activity Graded Strong value of anit-bacterial effect A>3
Required top	Ceramic basins - see prevailing Crossater Catalogue Cast Marble basins - see prevailing Crosswater catalogue Glass basins - see prevailing Crossater catalogue Solid surface worktop - see prevailing Crossater catalogue	
Recommended use:	Domestic, residential	
Dimension Unit	w 500 x d 450 x h 520mm	
Installation:	Wall Hung	
Materials:	Carcass and drawer front 18mm MDF Drawer set 18mm MDF	
Specification:	Full extension soft close drawers - 30kg weight capacity Anti-tip wall hangers 120Kg capacity	
Weight:	25.12kg	
Fitting:	Wall hangers integrated into carcass 3 way adjustable Wall brackets supplied	
Required Fitting:	Compatible to basin requirement	
Advised Fitting:	Space saving 50mm seal trap BTR0510W	
Option Accessories:	BTR0410W and BTR0510W basin traps	
Warranty	10 years on furniture	



Measurements in millimetres mm

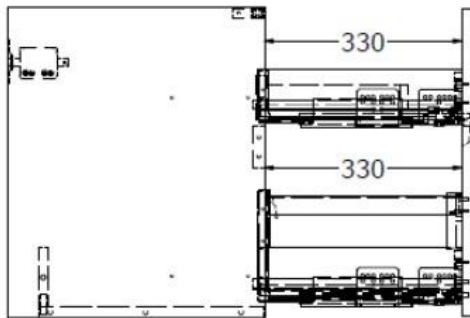
Information updated May 2021

Tel 0345 873 8840

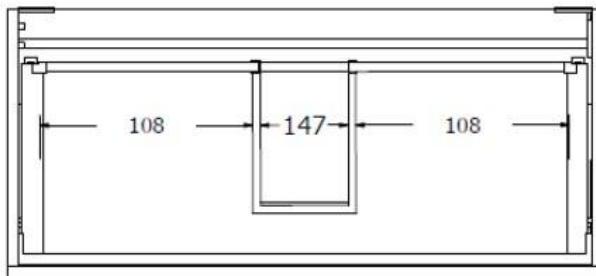
crosswater[™]

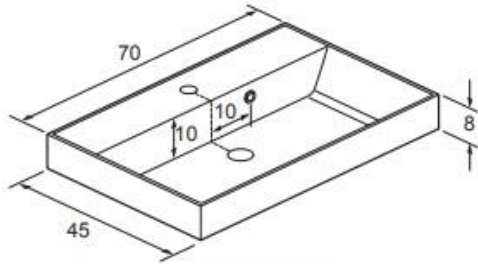
GLIDE II 500mm FURNITURE

Side View—drawer extension

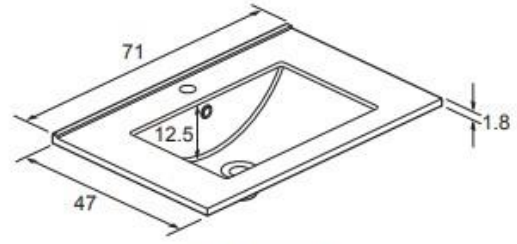


Plan View

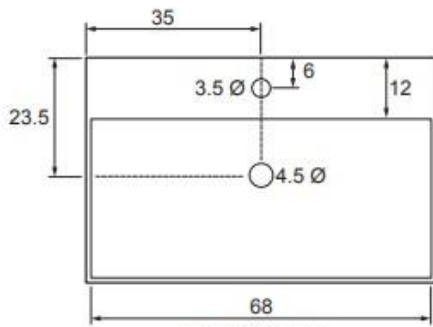
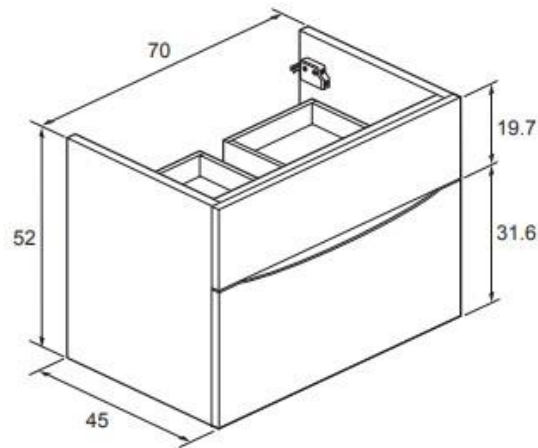
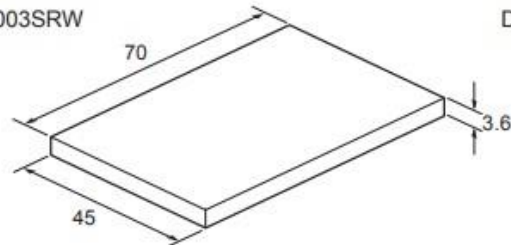




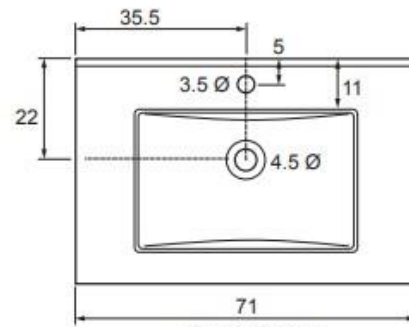
DE0003SRW



DE0003SCW



DE0003SRW



DE0003SCW

GLIDE II 70cm CAST MARBLE BASIN - DE0003SRW
 GLIDE II 70cm CERAMIC BASIN - DE0003SCW
 GLIDE II 70cm WORKTOP GL7000T
 GLIDE II 70cm BASIN UNIT GL7000D

Dimensions in Centimeters

Measurements in millimetres mm

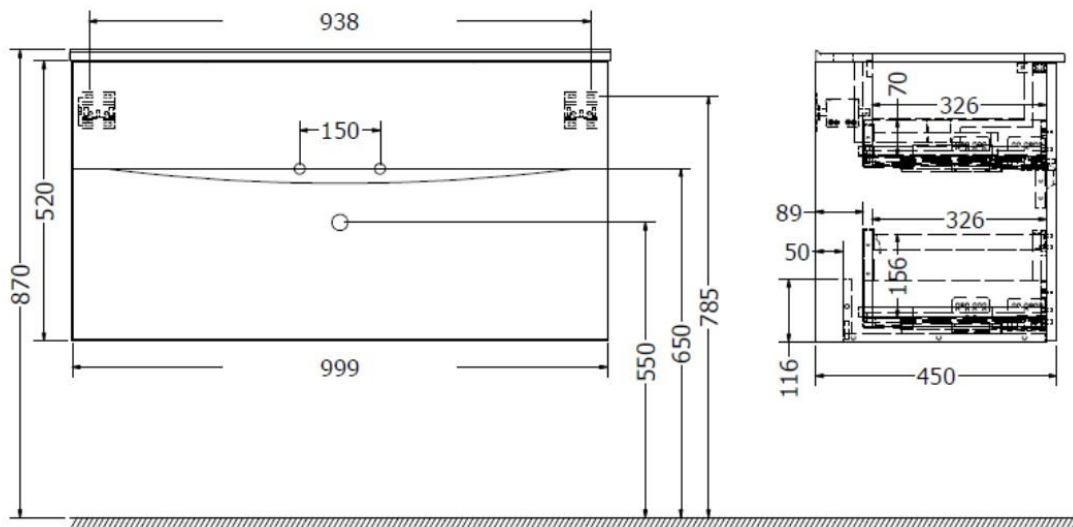
Information updated May 2021

Tel 0345 873 8840

crosswater[™]

Glide II 1000mm FURNITURE

TECHNICAL DATA		SPECIFICATION	
CODE No UNIT	GL1000DXX+	Installation Information: The intended installation wall needs to be strong enough for the weight of the furniture and basin. Wall fixings for solid walls included. Laminate finishes/lacquer tested to ISO 22196 Measurement of antibacterial activity Graded Strong value of anit-bacterial effect A>3	
Required top	Ceramic basins - see prevailing Crossater Catalogue Cast Marble basins - see prevailing Crosswater catalogue Glass basins - see prevailing Crossater catalogue Solid surface worktop - see prevailing Crossater catalogue		
Recommended use:	Domestic, residential		
Dimension Unit	w 1000 x d 450 x h 520mm		
Installation:	Wall Hung		
Materials:	Carcass and drawer front 18mm MDF Drawer set 18mm MDF		
Specification:	Full extension soft close drawers - 30kg weight capacity Anti-tip wall hangers 120Kg capacity		
Weight:	36.66kg		
Fitting:	Wall hangers integrated into carcass 3 way adjustable Wall brackets supplied		
Required Fitting:	Compatible to basin requirement		
Advised Fitting:	Space saving 50mm seal trap BTR0510W		
Option Accessories:	BTR0410W and BTR0510W basin traps		
Warranty	10 years on furniture		



Measurements in millimetres mm

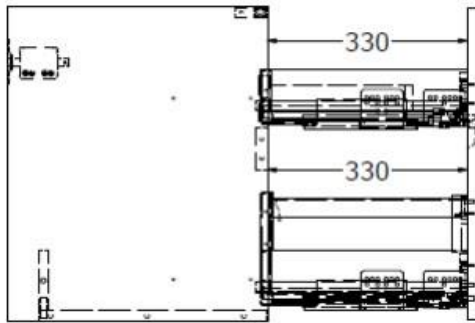
Information updated May 2021

Tel 0345 873 8840

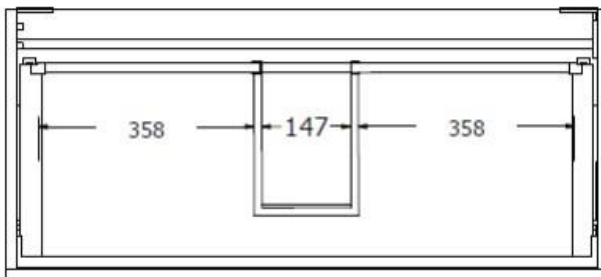
crosswater[™]

GLIDE II 100mm FURNITURE

Side View—drawer extension

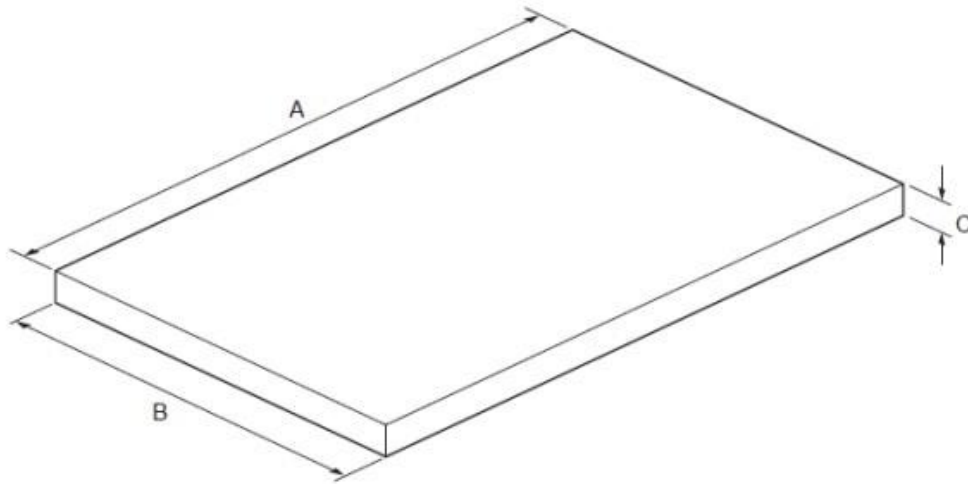


Plan View



Measurements in millimetres mm
Information updated May 2017
Tel 0345 873 8840

crosswater[™]
TECHNICAL



Code	Description	Finish	A	B	C
			mm	mm	mm
GL5000TMC	Solid Surface Worktop	Veined Carrara Marble Effect	510	455	25
GL7000TMC	Solid Surface Worktop	Veined Carrara Marble Effect	710	455	25
GL1000TMC	Solid Surface Worktop	Veined Carrara Marble Effect	1010	455	25

bauhaus[™]

GLIDE II SOLID SURFACE WORKTOPS

Undrilled