

## PRODUCT DATA SHEET

crosswater<sup>®</sup>



PRODUCT CODE  
LM5000STAN

RANGE  
LIMIT

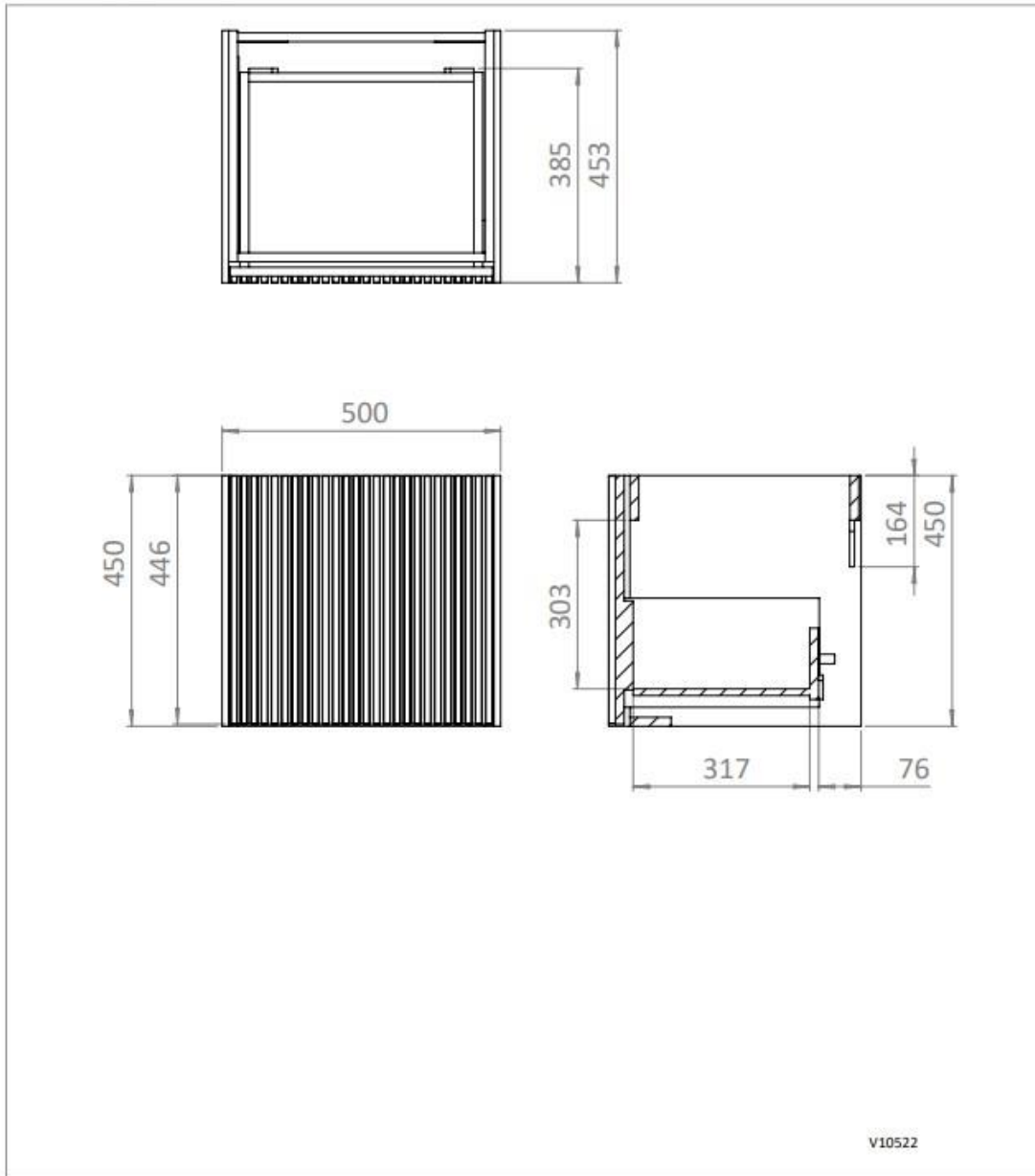
DESCRIPTION  
500mm Single Drawer Unit Steelwood/  
Anthracite

COLOUR	Steelwood/Anthracite
COLOUR CODE/ REFERENCE	Crosswater Exclusive
MATERIAL	MFC
STANDARDS	EN 13986 EN 14749
INSTALLATION TYPE	Wall-Mounted
DRAWER BOX	Anthracite NCS S7500-N with Concealed Runners
DRAWER RUNNERS	Push to Open, Soft Close
DRAWER EXTENSION	Full Extension Hettich V5 - 30kg Capacity
DRAWER ADJUSTMENT	5 Way
DRAWER CAPACITY	20kg
WALL HANGERS	ITALIANA FERRAMENTA LIBRA 6 120kg Load Capacity Per Pair on a Solid Wall
ADJUSTABLE FEET	No
WARRANTY	10 Years

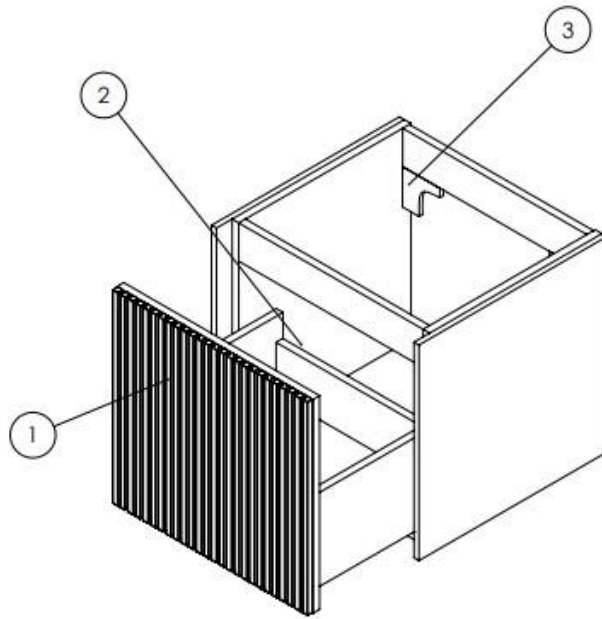
## TECHNICAL DIMENSIONS

Dimensions in mm unless otherwise specified.

Tolerances (per material type) apply.



## SPARES DIAGRAM



NUMBER	PART CODE	DESCRIPTION
1	DF_LM5000DMOAN	Limit Drawer Front LM5000DMOAN
	DF_LM5000DSTAN	Limit Drawer Front LM5000DSTAN
2	RUNNERSLIMIT1	Set of Drawer Runners x2 Limit Main Drawer
4	WBRACKETSLIMIT	Wall Brackets x2 Limit

V10522

## PRODUCT DATA SHEET

crosswater<sup>®</sup>



PRODUCT CODE  
LM7000STAN

RANGE  
LIMIT

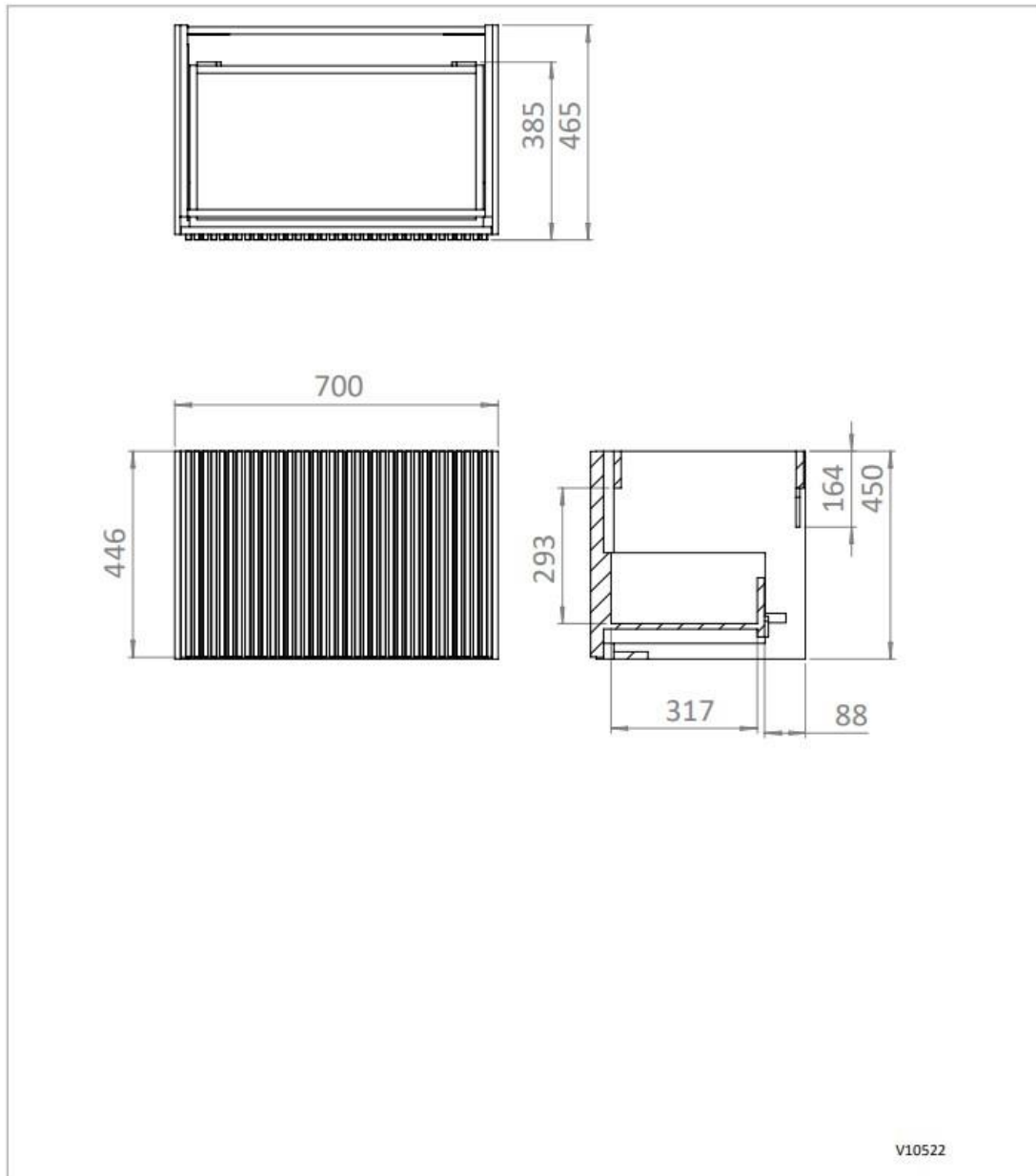
DESCRIPTION  
700mm Single Drawer Unit Steelwood/  
Anthracite

COLOUR	Steelwood/Anthracite
COLOUR CODE/ REFERENCE	Crosswater Exclusive
MATERIAL	MFC
STANDARDS	EN 13986 EN 14749
INSTALLATION TYPE	Wall-Mounted
DRAWER BOX	Anthracite NCS S7500-N with Concealed Runners
DRAWER RUNNERS	Push to Open, Soft Close
DRAWER EXTENSION	Full Extension Hettich V5 - 30kg Capacity
DRAWER ADJUSTMENT	5 Way
DRAWER CAPACITY	20kg
WALL HANGERS	ITALIANA FERRAMENTA LIBRA 6 120kg Load Capacity Per Pair on a Solid Wall
ADJUSTABLE FEET	No
WARRANTY	10 Years

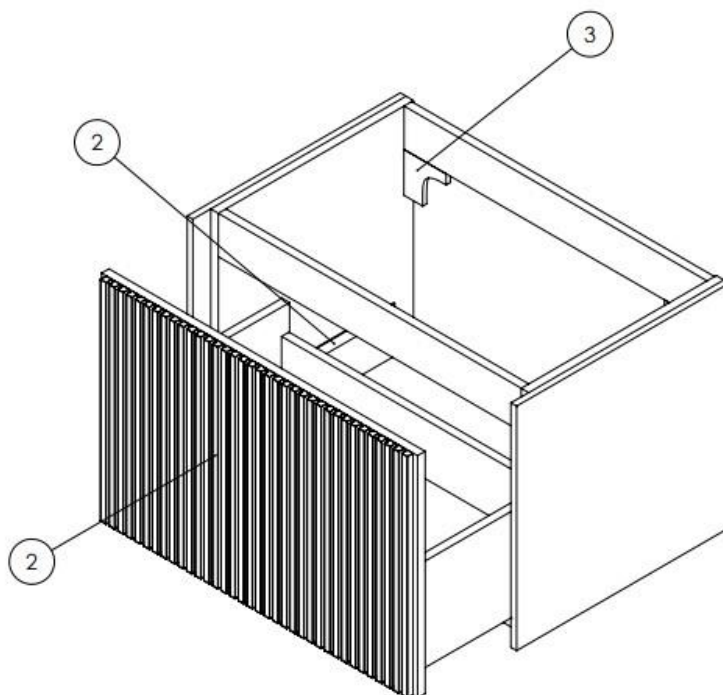
## TECHNICAL DIMENSIONS

Dimensions in mm unless otherwise specified.

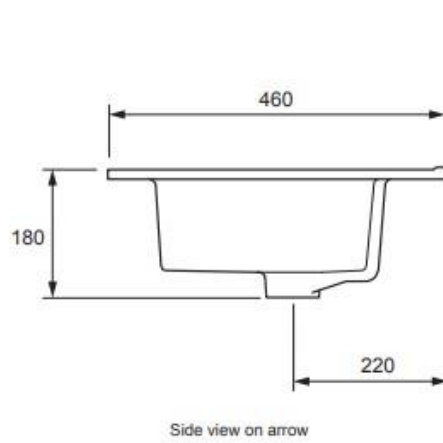
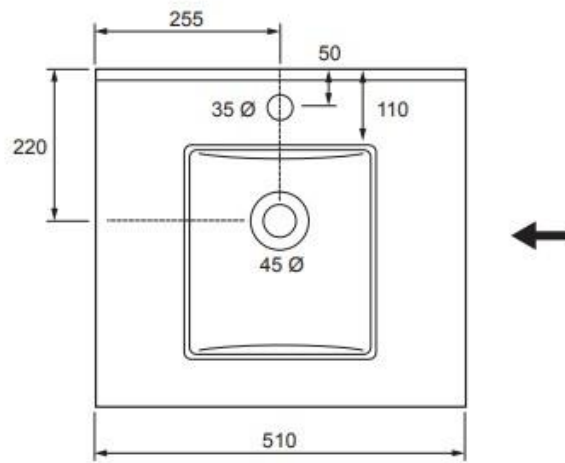
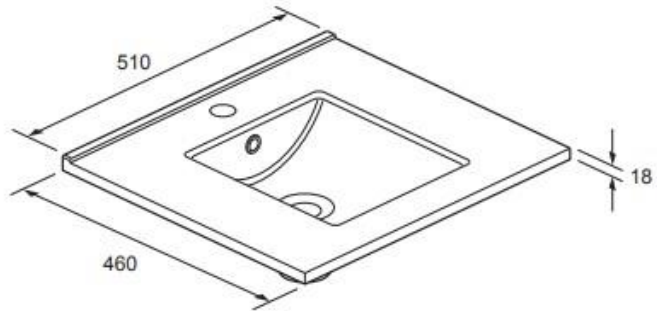
Tolerances (per material type) apply.



## SPARES DIAGRAM



NUMBER	PART CODE	DESCRIPTION
1	DF_LM7000DMOAN	Limit Drawer Front LM7000DMOAN
	DF_LM7000DSTAN	Limit Drawer Front LM7000DSTAN
2	RUNNERSLIMIT1	Set of Drawer Runners x2 Limit Main Drawer
4	WBRACKETSLIMIT	Wall Brackets x2 Limit



Dimensions in Millimeters

GLIDE II 50cm CERAMIC BASIN - DE0002SCW+

Measurements in millimetres mm

Information updated July 2020

Tel 0345 873 8840

crosswater<sup>™</sup>

## GLIDE II 500mm Glass Basin

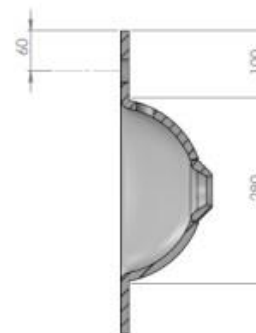
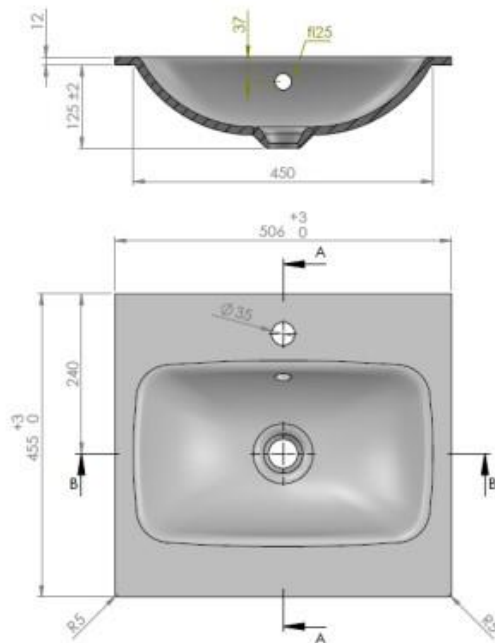


### TECHNICAL DATA

<b>CODE No</b>	GL0510SIW+ No tap hole GL0511SIW+ Single Tap Hole
<b>Compatible with:</b>	GL5000Dxx+
<b>Recommended use</b>	Domestic, hotel, residential
<b>Material</b>	Low Iron Soda Lime Silicate Glass EN572-9:2005
<b>Standards</b>	EN 14688 – CL 0 EN31
<b>Required Fitting:</b>	Universal Basin Waste BSW0260C-PRO0260X
<b>Colour</b>	Glass finish Ice White
<b>Specification</b>	1 centre tap hole or no tap hole Over flow, including chrome overflow cover
<b>Fixing</b>	Furniture carcass only
<b>Weight</b>	10kg
<b>Warranty</b>	10 years

### SPECIFICATION

Furniture basin  
EN 31/EN 14688 – CL 0  
Dimensions w 506 x d 455 x h 12mm  
Tested in accordance with EN 14688:2009, 4.3  
Maximum water Temperature 70°C



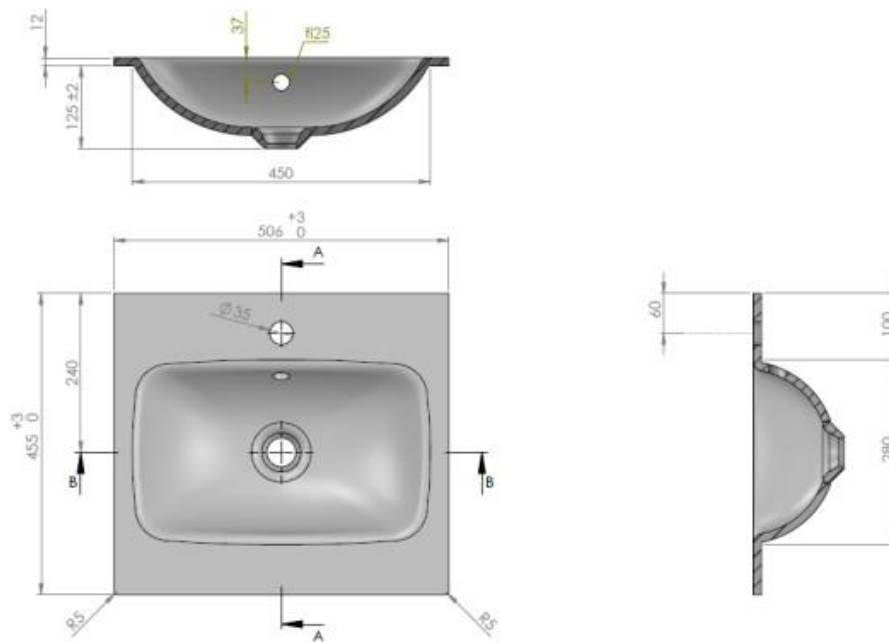




## GLIDE II 500mm Glass Basin



TECHNICAL DATA		SPECIFICATION	
<b>CODE No</b>	GL0510SMB - No tap hole GL0511SMB - 1 tap hole		
<b>Compatible with:</b>	GL5000Dxxx+		
<b>Recommended use</b>	Domestic, hotel, residential		
<b>Material</b>	Low Iron Soda Lime Silicate Glass EN572-9:2005		
<b>Standards</b>	EN 14688 – CL 0 EN31		
<b>Required Fitting:</b>	Universal Basin Waste BSW0260C-PRO0260X		
<b>Colour</b>	Matt finish Midnight Black		
<b>Specification</b>	1 centre tap hole or no tap hole Over flow, including matt black overflow cover		
<b>Fixing</b>	Furniture carcass only		
<b>Weight</b>	7kg		
<b>Warranty</b>	10 years		



Sizes detailed could have a variation of about +/-5 % due to the changes to material characteristics during the firing processes. Exact measurements for individual installations can only be taken from the finished basin.

## GLIDE II 700mm Glass Basin

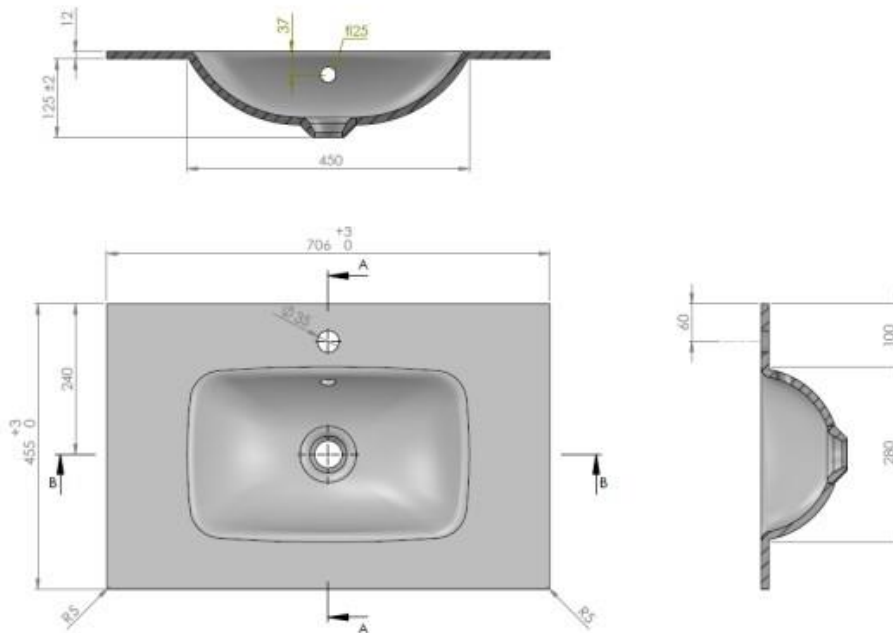


### TECHNICAL DATA

<b>CODE No</b>	GL0710SIW+ No tap hole GL0711SIW+ Single Tap Hole
<b>Compatible with:</b>	GL7000Dxx+
<b>Recommended use</b>	Domestic, hotel, residential
<b>Material</b>	Low Iron Soda Lime Silicate Glass EN572-9:2005
<b>Standards</b>	EN 14688 – CL 0 EN31
<b>Required Fitting:</b>	Universal Basin Waste BSW0260C-PRO0260X
<b>Colour</b>	Gloss finish Ice White
<b>Specification</b>	1 centre tap hole or no tap hole Over flow, including chrome overflow cover
<b>Fixing</b>	Furniture carcass only
<b>Weight</b>	10kg
<b>Warranty</b>	10 years

### SPECIFICATION

Furniture basin  
EN 31/EN 14688 – CL 0  
Dimensions w 706 x d 455 x h 12mm  
Tested in accordance with EN 14688:2009, 4.3  
Maximum water Temperature 70°C



Sizes detailed could have a variation of about +/- 5 % due to the changes to material characteristics during the firing processes. Exact measurements for individual installations can only be taken from the finished basin.



## GLIDE II 700mm Glass Basin

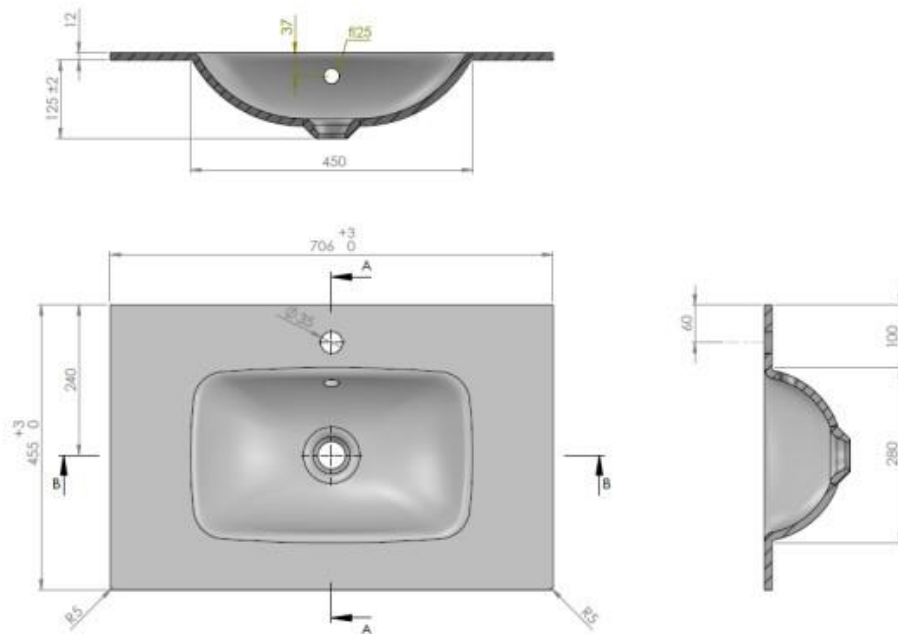


### TECHNICAL DATA

<b>CODE No</b>	GL0710SMB - No tap hole GL0711SMB - Single tap hole
<b>Compatible with:</b>	GL7000Dxx+
<b>Recommended use</b>	Domestic, hotel, residential
<b>Material</b>	Low Iron Soda Lime Silicate Glass EN572-9:2005
<b>Standards</b>	EN 14688 – CL 0 EN31
<b>Required Fitting:</b>	Universal Basin Waste BSW0260C-PRO0260X
<b>Colour</b>	Matt finish Midnight Black
<b>Specification</b>	1 centre tap hole or no tap hole Over flow, including matt black overflow cover
<b>Fixing</b>	Furniture carcass only
<b>Weight</b>	10kg
<b>Warranty</b>	10 years

### SPECIFICATION

Furniture basin  
EN 31/EN 14688 – CL 0  
Dimensions w 706 x d 455 x h 12mm  
Tested in accordance with EN 14688:2009, 4.3  
Maximum water Temperature 70°C



Sizes detailed could have a variation of about +/-5 % due to the changes to material characteristics during the firing processes. Exact measurements for individual installations can only be taken from the finished basin.