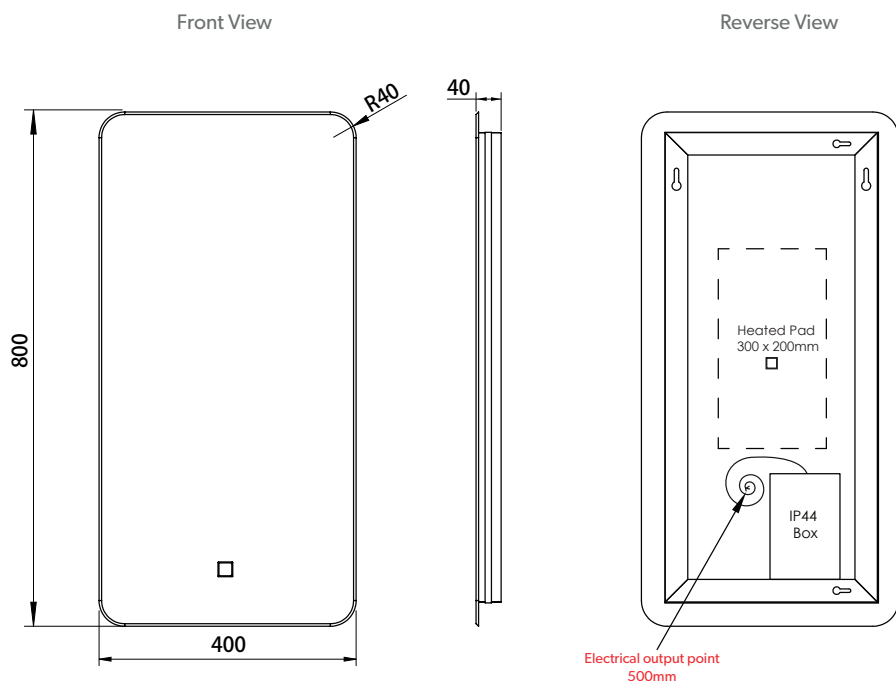


Ambience 40  
Ambience 50  
Ambience 60  
Ambience 90  
Ambience 120  
Ambience 140

HiB recommend you receive the product before commencing with installation as all sizes and measurements are approximate. HiB try and ensure all measurements are as accurate as possible. In the interest of continuous product development, HiB reserves the right to alter specification as necessary. E & OE.

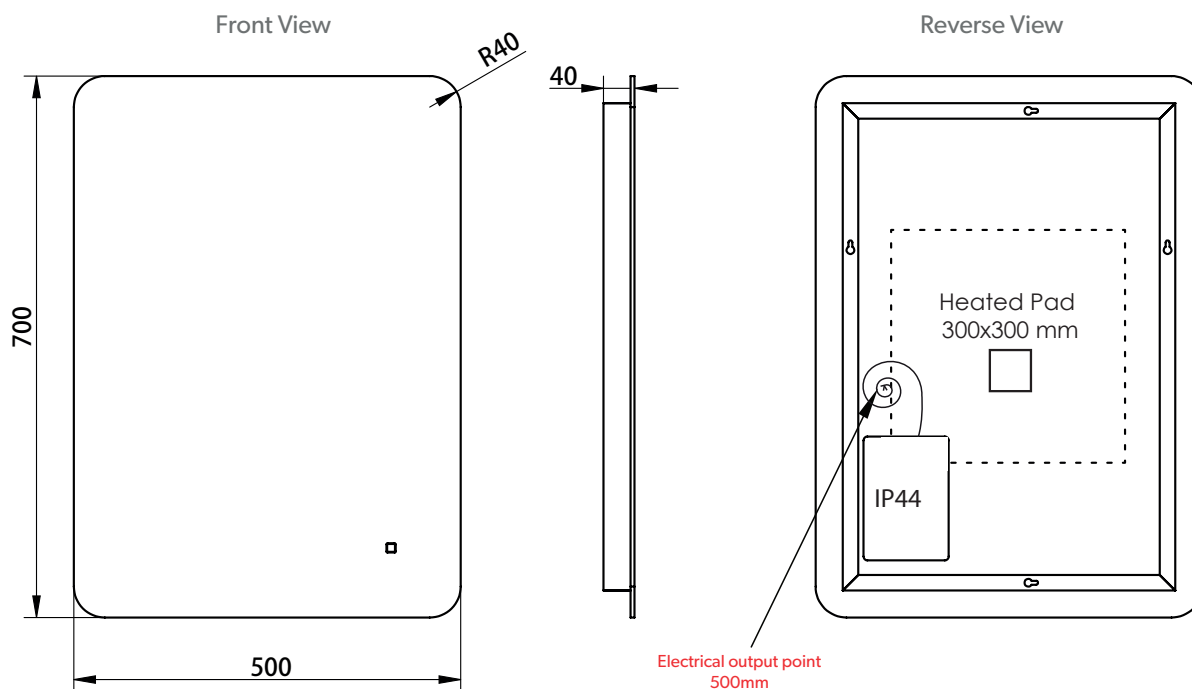
## Ambience 40

Art no. 79100000



## Ambience 50

Art no. 79100000



### Electrical Safety Information

HiB recommends that all electrical bathroom products should only be fitted by a suitably qualified, Part P registered electrician in accordance with current IEE regulations.

Ensure mains power supply is switched off before starting installation.

Before drilling, ensure there are no hidden cables or pipes in the wall.

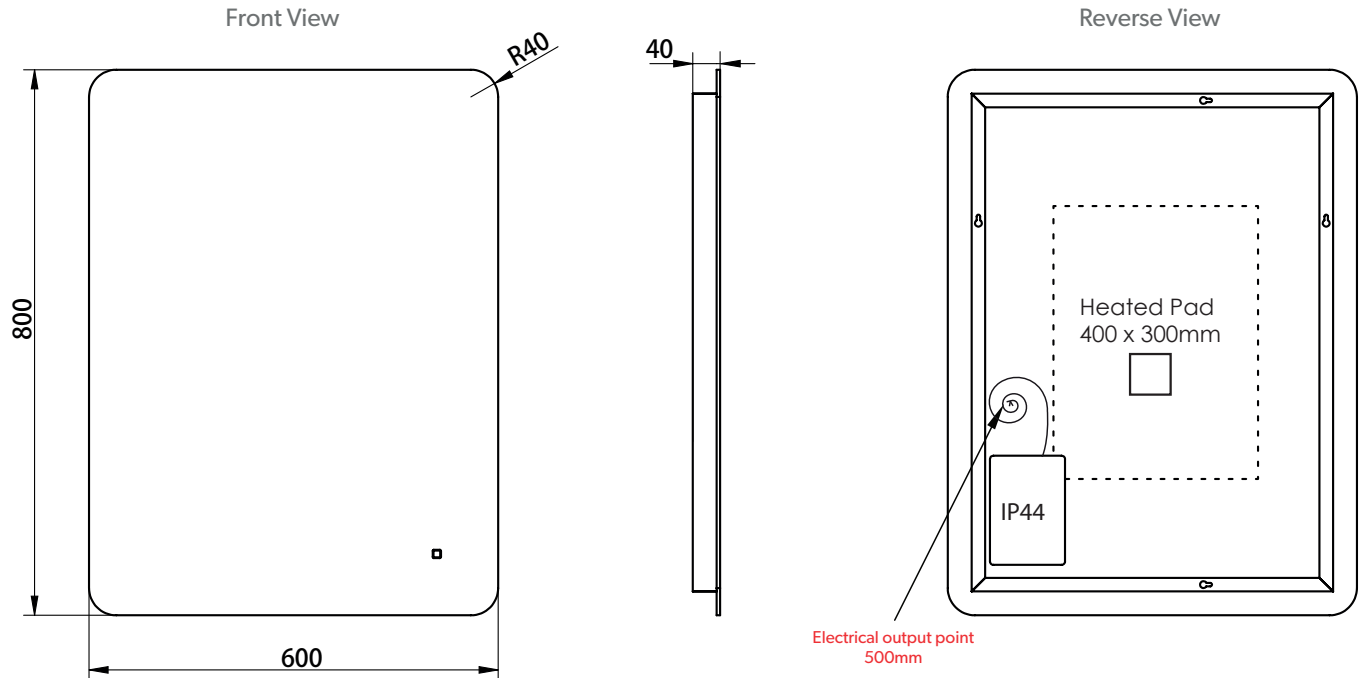
HiB recommend you receive the product before commencing with installation as all sizes and measurements are approximate.

HiB try and ensure all measurements are as accurate as possible.

In the interest of continuous product development, HiB reserves the right to alter specification as necessary. E & OE.

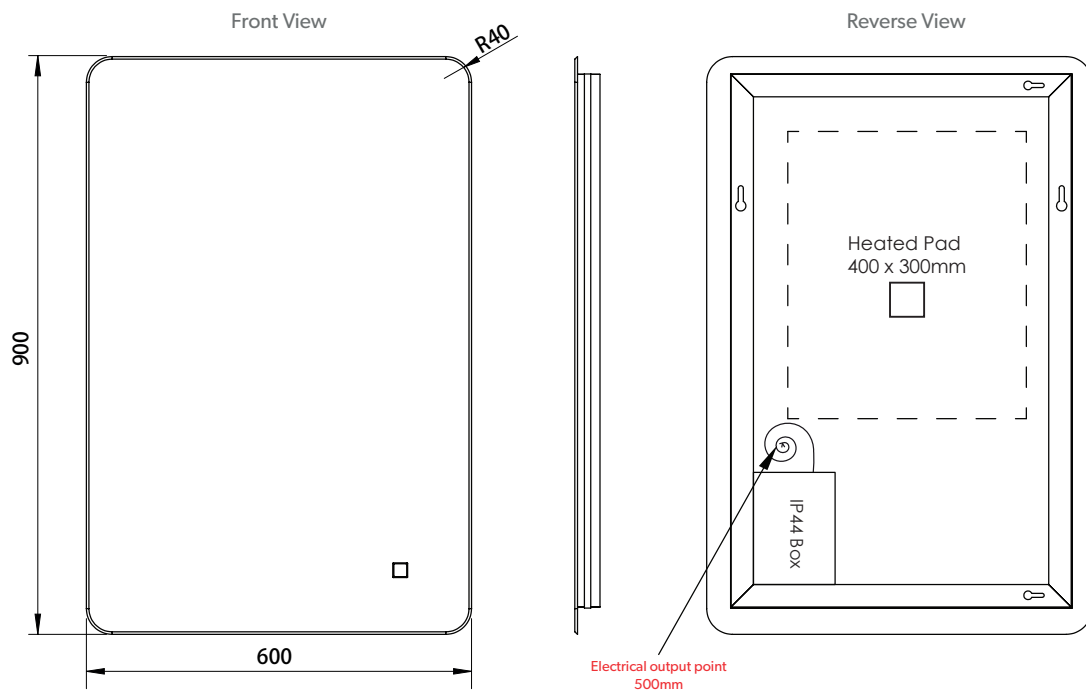
## Ambience 60

Art no. 7920000



## Ambience 90

Art no. 79210000



### Electrical Safety Information

HiB recommends that all electrical bathroom products should only be fitted by a suitably qualified, Part P registered electrician in accordance with current IEE regulations.

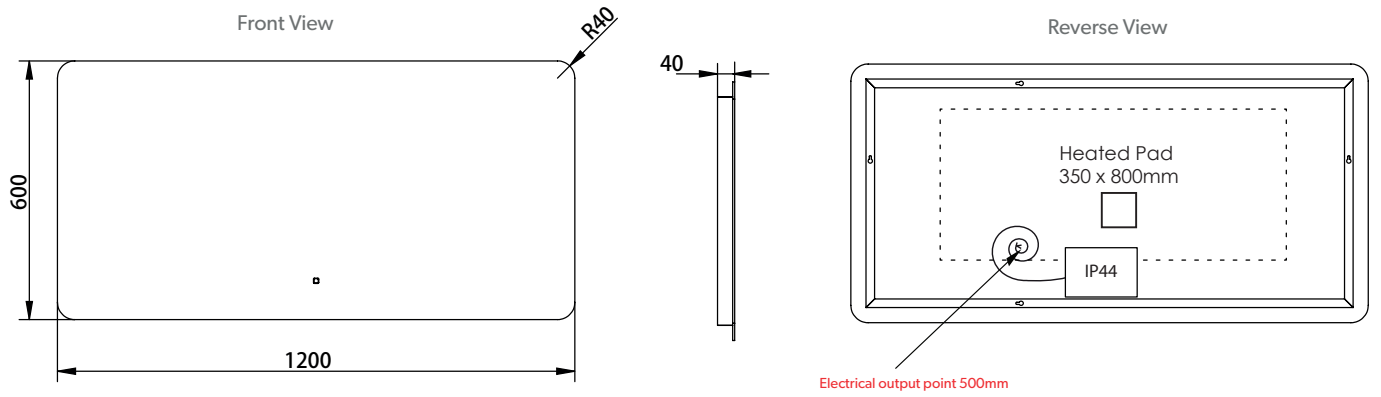
Ensure mains power supply is switched off before starting installation.

Before drilling, ensure there are no hidden cables or pipes in the wall.

HiB recommend you receive the product before commencing with installation as all sizes and measurements are approximate.  
HiB try and ensure all measurements are as accurate as possible.  
In the interest of continuous product development, HiB reserves the right to alter specification as necessary. E & OE.

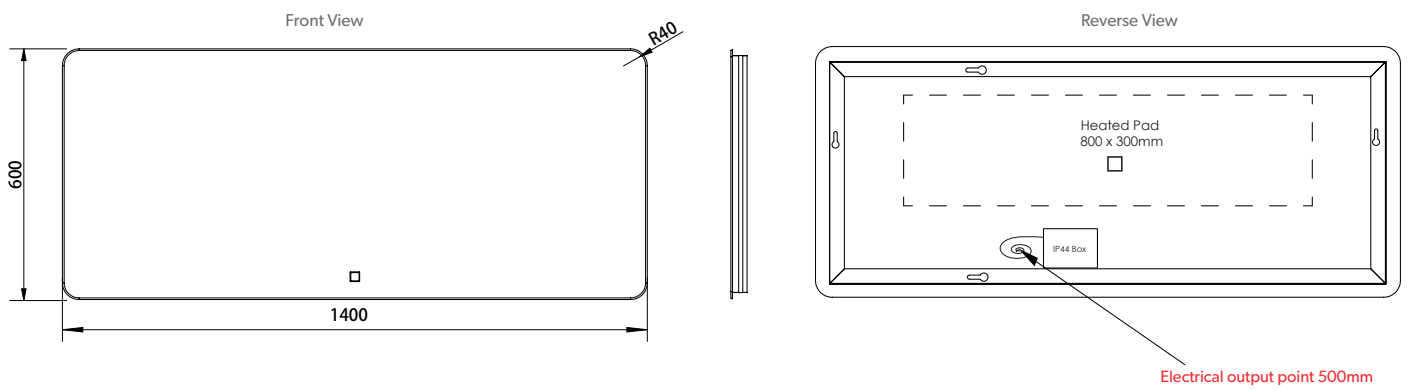
## Ambience 120

Art no. 79300000




## Ambience 140

Art no. 79310000



# Ambience

## 40, 50, 60, 90, 120 & 140

		Version No. 04.10.21
	Product	Ambience 40, Ambience 50, Ambience 60 Ambience 90, Ambience 120 & Ambience 140
	Art. No.	Ambience 40: 790000000, Ambience 50: 791000000, Ambience 60:792000000, Ambience 90: 792100000, Ambience 120:793000000 & Ambience 140: 793100000
	Product Description	Landscape or portrait steam free mirror with LED colour temperature changing ambient lighting. At the press of a button change from Warm White to Cool White Illumination. With memory function the mirror will remember your personal setting.

Question	Answer
Nett weight (kg)	Ambience 40: 4.75kg / Ambience 50: 5.05kg / Ambience 60: 7kg Ambience 90: 7.65kg / Ambience 120: 10kg / Ambience 140: 13.45kg
Light Source	LED
Light Source Average Lifespan	Average: 50,000 hr
Total Rated Wattage (W)	Ambience 40: 34.97w / Ambience 50: 42.44w / Ambience 60: 48.49w Ambience 90: 44.5w / Ambience 120: 84.93w / Ambience 140: 88.4w
Lumens (Lm)	Ambience 40: 838.5lm / Ambience 50: 1161lm / Ambience 60:1377 lm Ambience 90: 1072.5lm / Ambience 120: 1507lm / Ambience 140: 1462.5lm
Kelvins (k)	Ambience 40, 50, 60, 90, 120 & 140: 4100k - 22000k
Is the mirror dimmable?	No
Energy Rating	E
Is the heated pad only on when the mirror is illuminated?	Yes
Does the mirror require an earth connection?	Yes
Can I bypass the sensor so the mirror comes on with the main room light?	No
Is it cool white or warm white illumination?	Both - the mirror is colour temperature changing
What IP rating is the mirror?	All Ambience mirrors are IP44 rated
What orientation can the mirror be hung?	All Ambience mirrors can be hung landscape OR portrait
Is the touch switch light on the mirror always on?	Yes
How long is the warranty?	5 years from date of purchase on silvering coating on mirror 2 years from date of purchase on electrical components in the mirror

### Electrical Safety Information

HiB recommends that all electrical bathroom products should only be fitted by a suitably qualified, Part P registered electrician in accordance with current IEE regulations.

Ensure mains power supply is switched off before starting installation.

Before drilling, ensure there are no hidden cables or pipes in the wall.

**HiB recommend you receive the product before commencing with installation as all sizes and measurements are approximate.**

**HiB try and ensure all measurements are as accurate as possible.**

**In the interest of continuous product development, HiB reserves the right to alter specification as necessary. E & OE.**

T: +44 (0)20 8441 0352 F: +44 (0)208441 0219 E: sales@hib.co.uk W: hib.co.uk

HiB Ltd. Building 3, North London Business Park, Oakleigh Road South, New Southgate, London. N11 1GN