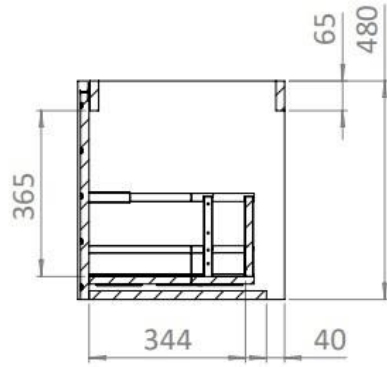
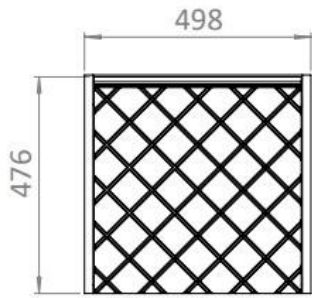
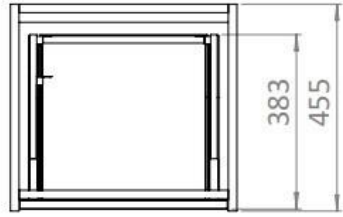


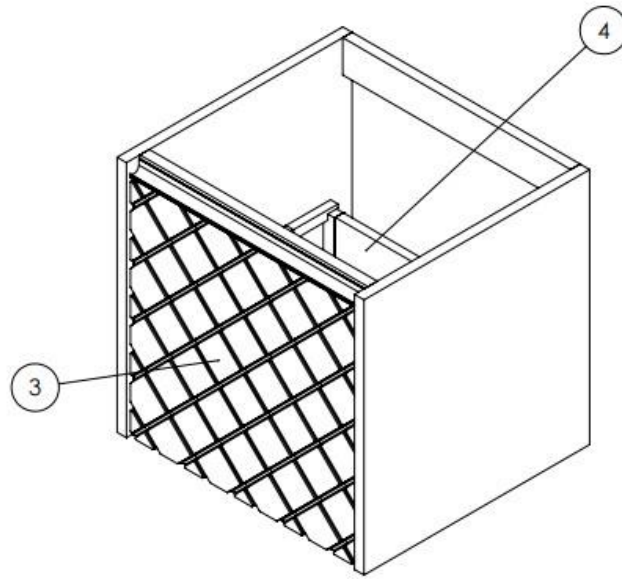
COLOUR CODE/ REFERENCE	Crosswater Exclusive
MATERIAL	MDF
STANDARDS	EN 13986 EN 14749
INSTALLATION TYPE	Wall-Mounted
DRAWER BOX	Metal Drawer Box
DRAWER RUNNERS	InnoTech Atira - Soft Close, Pull To Open
DRAWER EXTENSION	Full Extension
DRAWER ADJUSTMENT	3 Way
DRAWER CAPACITY	30kg
WALL HANGERS	InnoTech Atira - Factory Fitted 100kg Load Capacity Per Pair On A Solid Wall 2 Way Adjustment
ADJUSTABLE FEET	No
WARRANTY	10 Years

**Vergo Wall-Mounted Vanity Unit
500**



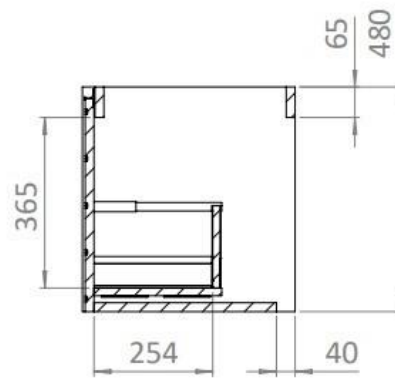
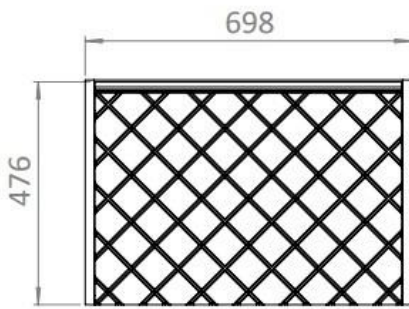
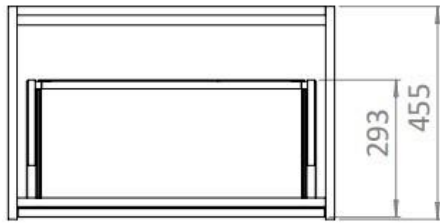
V10522

SPARES DIAGRAM

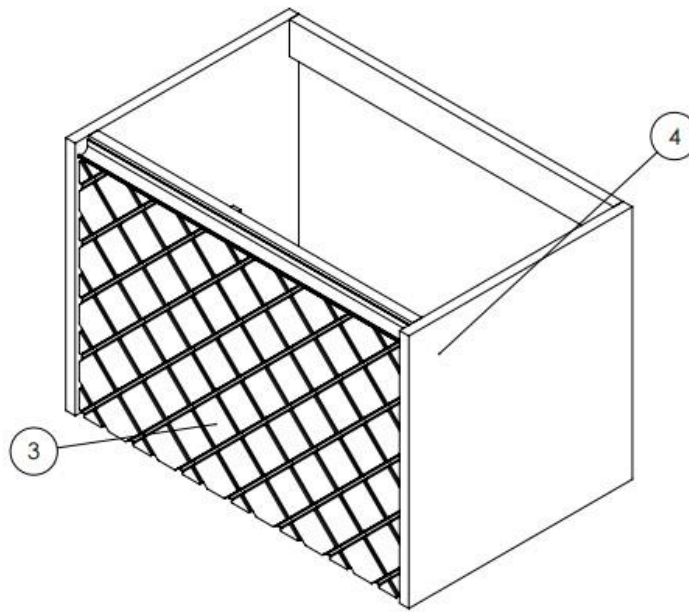


NUMBER	PART CODE	DESCRIPTION
1	RUNNERSVERGO	Vergo Set of Drawer Runners x2 All Units
2	WBRACKETSVERGO	Vergo Wall Brackets x2
3	TDF_VG500DWM	Vergo Drawer Front Only for VG500DWM
	TDF_VG500DBM	Vergo Drawer Front Only for VG500DBM
	TDF_VG500DMS	Vergo Drawer Front Only for VG500DMS
4	DRAWER_VG500Dxx	Vergo Dower Box Complete No Front VG500Dxx

Vergo Wall-Hung Vanity Unit 700

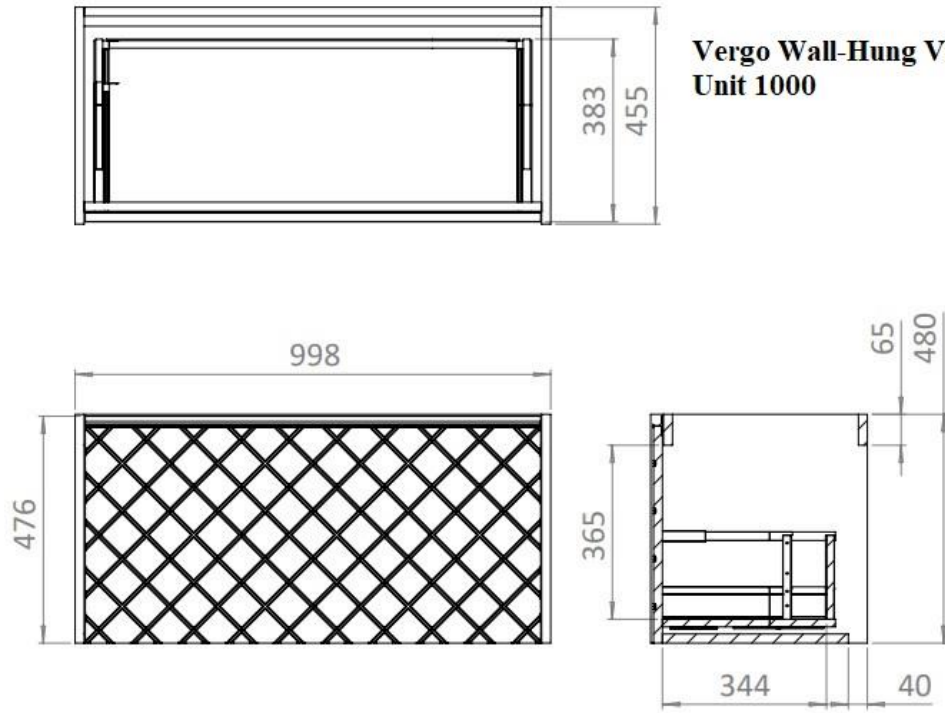


SPARES DIAGRAM



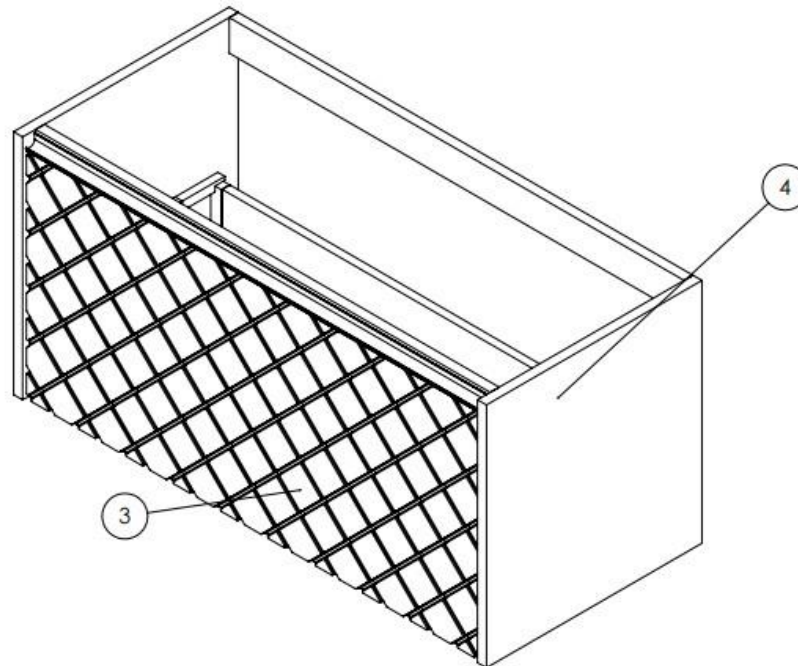
NUMBER	PART CODE	DESCRIPTION
1	RUNNERSVERGO	Vergo Set of Drawer Runners x2 All Units
2	WBRACKETSVERGO	Vergo Wall Brackets x2
3	TDF_VG700DWM	Vergo Drawer Front Only for VG700DWM
	TDF_VG700DBM	Vergo Drawer Front Only for VG700DBM
	TDF_VG700DMS	Vergo Drawer Front Only for VG700DMS
4	DRAWER_VG700Dxx	Vergo Dower Box Complete No Front VG700Dxx

**Vergo Wall-Hung Vanity
Unit 1000**

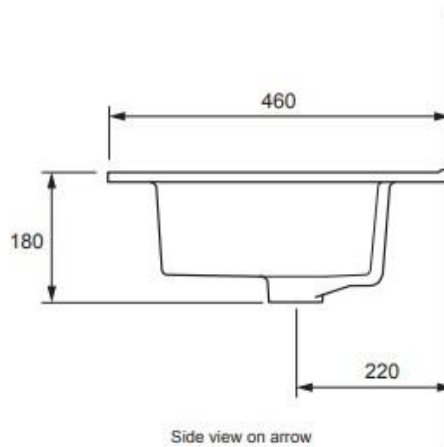
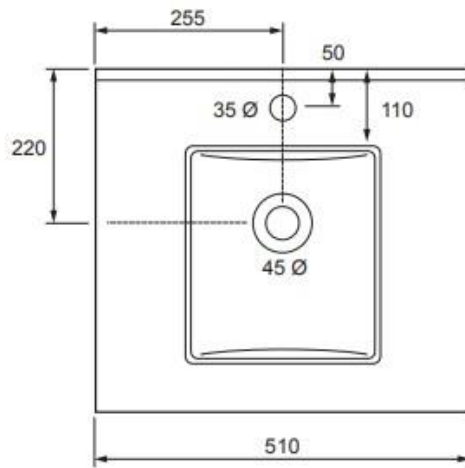
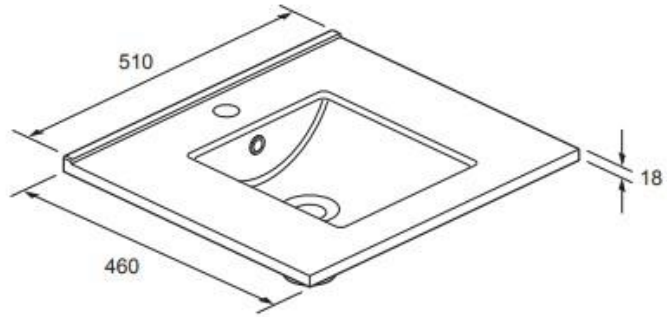


V10522

SPARES DIAGRAM



NUMBER	PART CODE	DESCRIPTION
1	RUNNERSVERGO	Vergo Set of Drawer Runners x2 All Units
2	WBRACKETSVERGO	Vergo Wall Brackets x2
3	TDF_VG1000DWM	Vergo Drawer Front Only for VG1000DWM
	TDF_VG1000DBM	Vergo Drawer Front Only for VG1000DBM
	TDF_VG1000DMS	Vergo Drawer Front Only for VG1000DMS
4	DRAWER_VG1000Dxx	Vergo Dower Box Complete No Front VG1000Dxx



Dimensions in Millimeters

GLIDE II 50cm CERAMIC BASIN - DE0002SCW+

PRODUCT DATA SHEET

crosswater[®]



PRODUCT CODE
FB0511SRW

RANGE
FURN BASIN

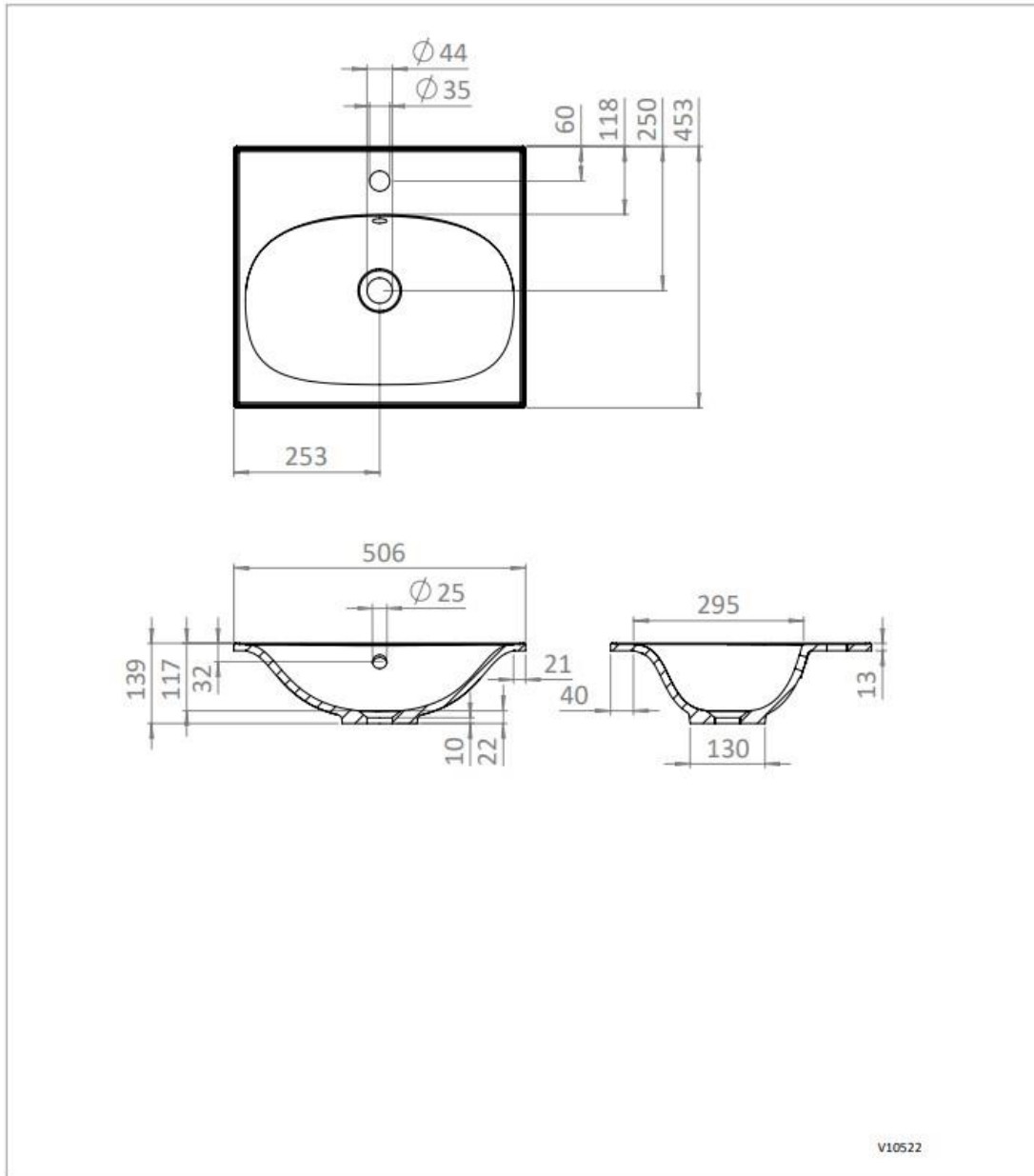
DESCRIPTION
Furniture Basin 500mm 1TH White
Overflow

COLOUR	White
MATERIAL	Gelcoat Cast Mineral Marble
STANDARDS	EN 31/EN 14688 - CLO
INSTALLATION TYPE	Furniture Mounted
DOP CLASS	01-2017
CAPACITY OF WATER AT OVERFLOW LEVEL	15 L
BASIN WASTE SIZE	45mm
TAP HOLES	1TH
OVERFLOW	Yes
WARRANTY	10 Years

TECHNICAL DIMENSIONS

Dimensions in mm unless otherwise specified.

Tolerances (per material type) apply.

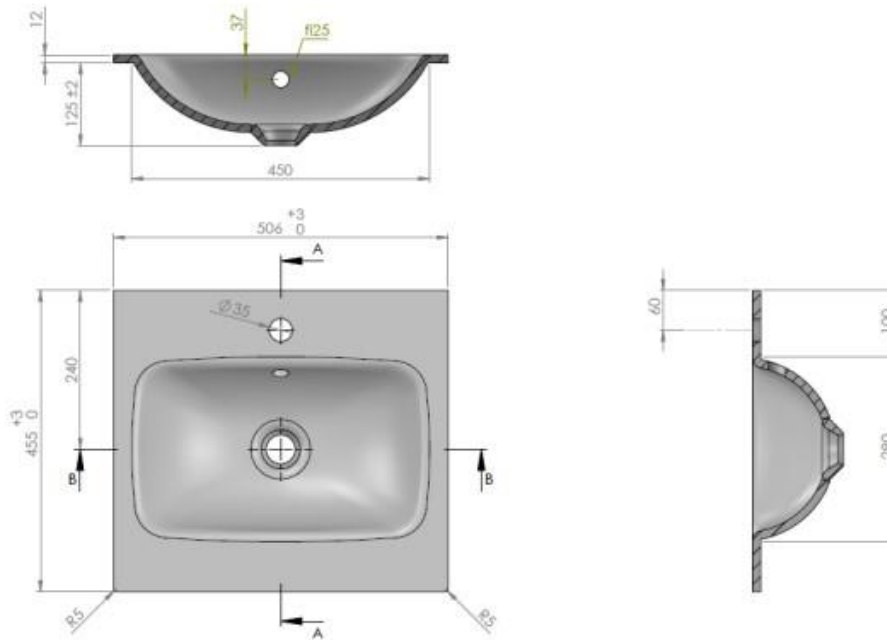


V10522

GLIDE II 500mm Glass Basin



TECHNICAL DATA		SPECIFICATION	
CODE No	GL0510SIW+ No tap hole GL0511SIW+ Single Tap Hole	Furniture basin	EN 31/EN 14688 – CL 0
Compatible with:	GL5000Dxx+	Dimensions	w 506 x d 455 x h 12mm
Recommended use	Domestic, hotel, residential	Tested in accordance with	EN 14688:2009, 4.3
Material	Low Iron Soda Lime Silicate Glass EN572-9:2005	Maximum water Temperature	70°C
Standards	EN 14688 – CL 0 EN31		
Required Fitting:	Universal Basin Waste BSW0260C-PRO0260X		
Colour	Gloss finish Ice White		
Specification	1 centre tap hole or no tap hole Over flow, including chrome overflow cover		
Fixing	Furniture carcass only		
Weight	10kg		
Warranty	10 years		



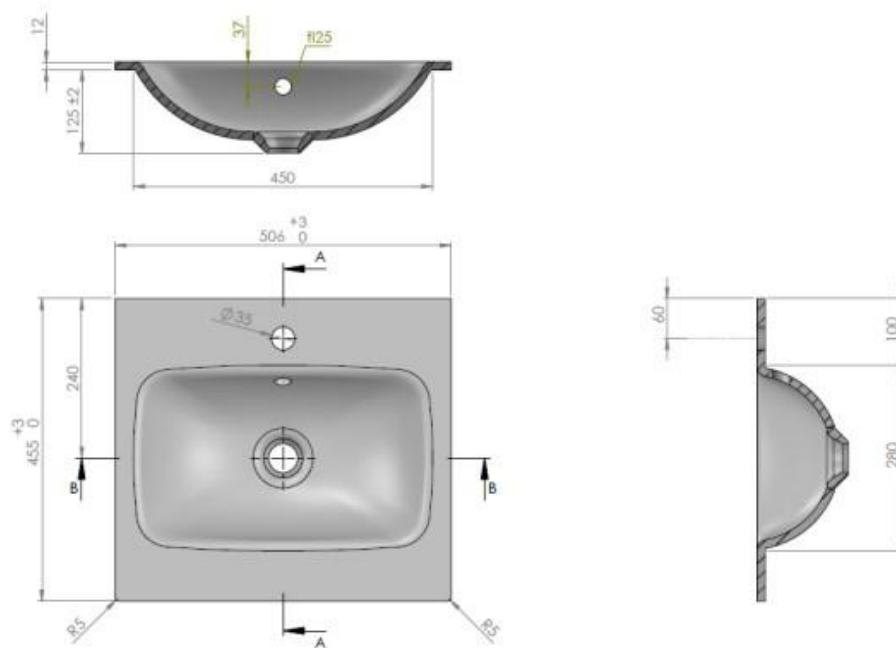
Sizes detailed could have a variation of about +/- 5 % due to the changes to material characteristics during the firing processes. Exact measurements for individual installations can only be taken from the finished basin.



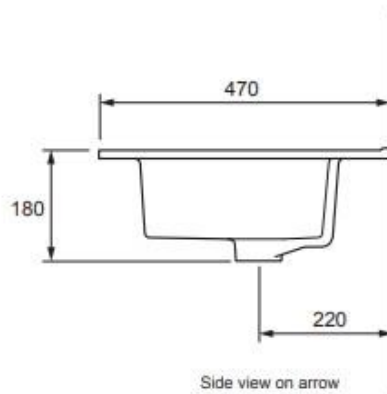
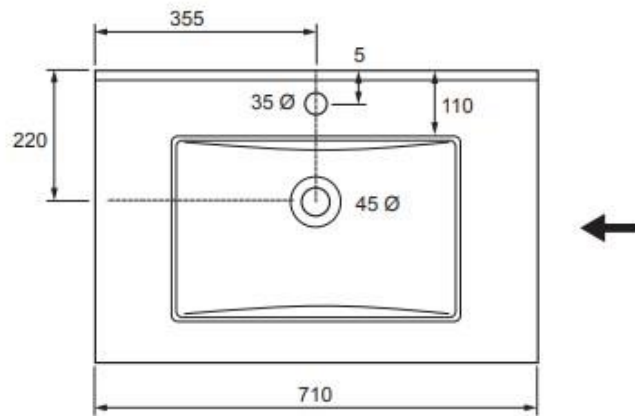
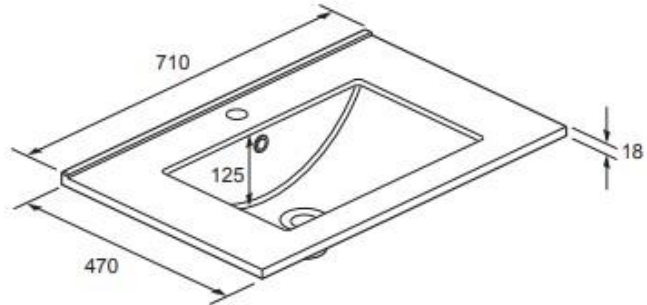
GLIDE II 500mm Glass Basin



TECHNICAL DATA		SPECIFICATION	
CODE No	GL05105MB - No tap hole GL05115MB - 1 tap hole	Furniture basin	
Compatible with:	GL5000Dxx+	EN 31/EN 14688 – CL 0	
Recommended use	Domestic, hotel, residential	Dimensions w 506 x d 455 x h 12mm	
Material	Low Iron Soda Lime Silicate Glass EN572-9:2005	Tested in accordance with EN 14688:2009, 4.3	
Standards	EN 14688 – CL 0 EN31	Maximum water Temperature 70°C	
Required Fitting:	Universal Basin Waste BSW0260C-PRO0260X		
Colour	Matt finish Midnight Black		
Specification	1 centre tap hole or no tap hole Over flow, including matt black overflow cover		
Fixing	Furniture carcass only		
Weight	7kg		
Warranty	10 years		



Sizes detailed could have a variation of about +/-5 % due to the changes to material characteristics during the firing processes. Exact measurements for individual installations can only be taken from the finished basin.



PRODUCT DATA SHEET

crosswater[®]



PRODUCT CODE
FB0711SRW

RANGE
FURN BASIN

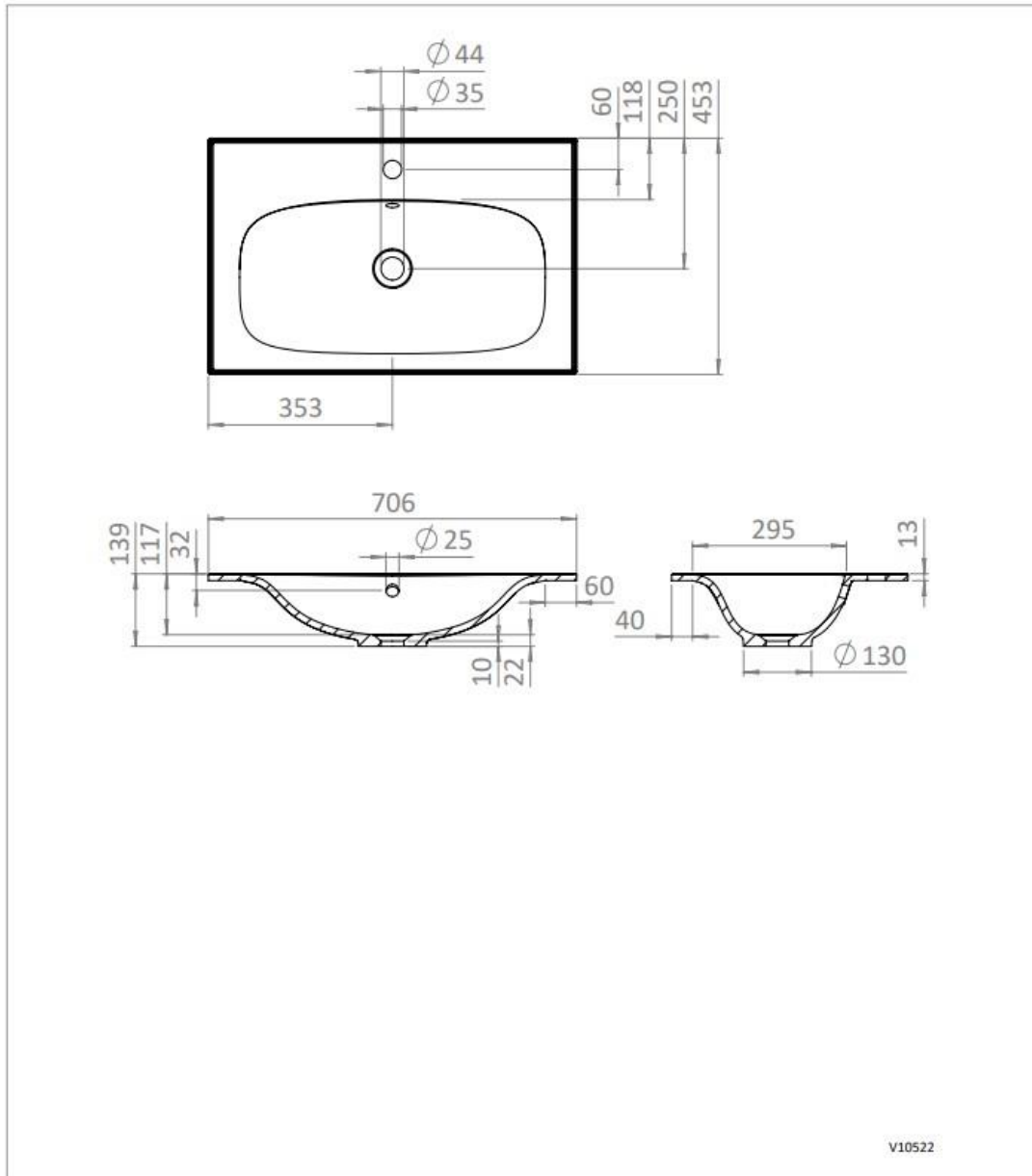
DESCRIPTION
Furniture Basin 700mm 1TH White
Overflow

COLOUR	White
MATERIAL	Gelcoat Cast Mineral Marble
STANDARDS	EN 31/EN 14688 - CL0
INSTALLATION TYPE	Furniture Mounted
DOP CLASS	01-2017
CAPACITY OF WATER AT OVERFLOW LEVEL	15 L
BASIN WASTE SIZE	45mm
TAP HOLES	1TH
OVERFLOW	Yes
WARRANTY	10 Years

TECHNICAL DIMENSIONS

Dimensions in mm unless otherwise specified.

Tolerances (per material type) apply.

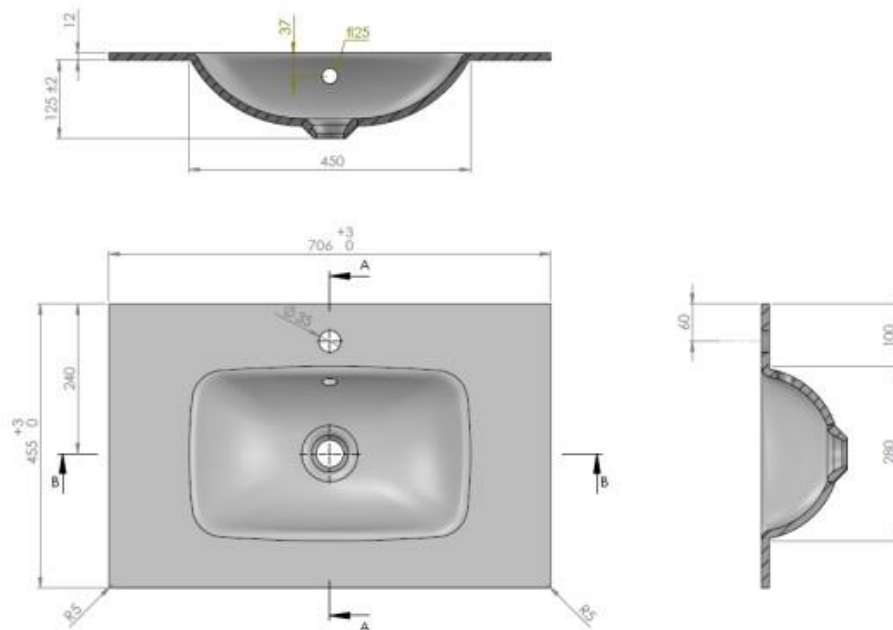


V10522

GLIDE II 700mm Glass Basin



TECHNICAL DATA		SPECIFICATION
CODE No	GL0710SIW+ No tap hole GL0711SIW+ Single Tap Hole	Furniture basin EN 31/EN 14688 – CL 0 Dimensions w 706 x d 455 x h 12mm Tested in accordance with EN 14688:2009, 4.3 Maximum water Temperature 70°C
Compatible with:	GL7000Dxx+	
Recommended use	Domestic, hotel, residential	
Material	Low Iron Soda Lime Silicate Glass EN572-9:2005	
Standards	EN 14688 – CL 0 EN31	
Required Fitting:	Universal Basin Waste BSW0260C-PRO0260X	
Colour	Gloss finish Ice White	
Specification	1 centre tap hole or no tap hole Over flow, including chrome overflow cover	
Fixing	Furniture carcass only	
Weight	10kg	
Warranty	10 years	



Sizes detailed could have a variation of about +/- 5 % due to the changes to material characteristics during the firing processes. Exact measurements for individual installations can only be taken from the finished basin.



GLIDE II 700mm Glass Basin

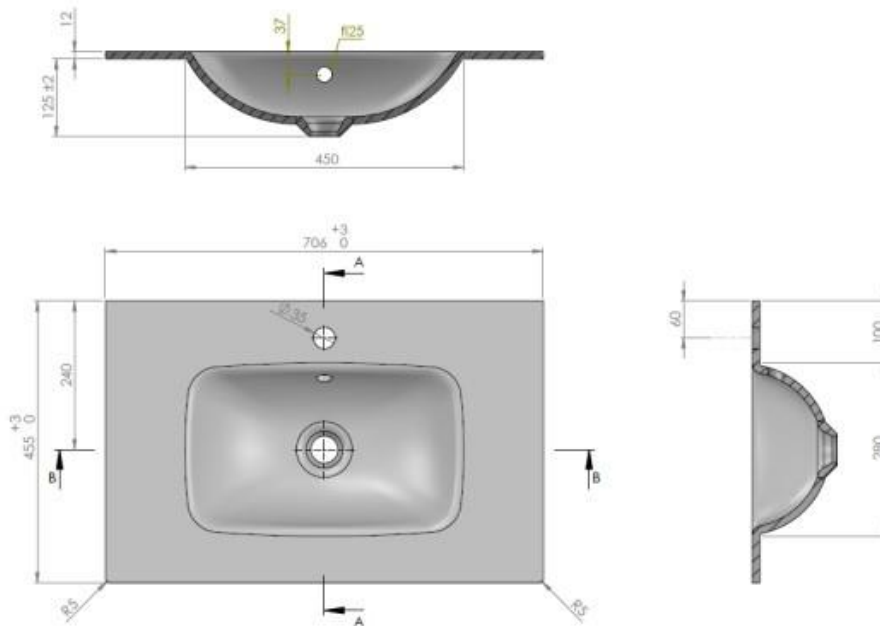


TECHNICAL DATA

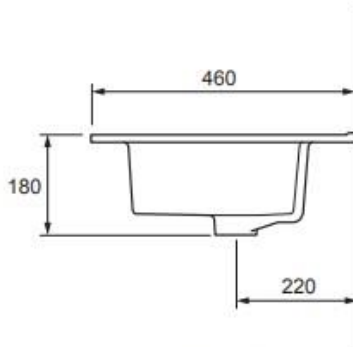
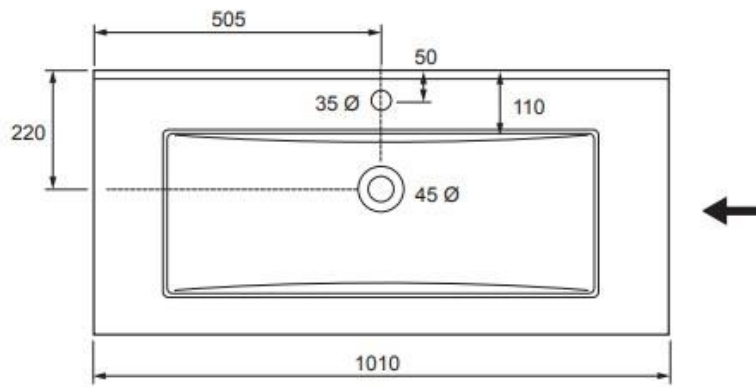
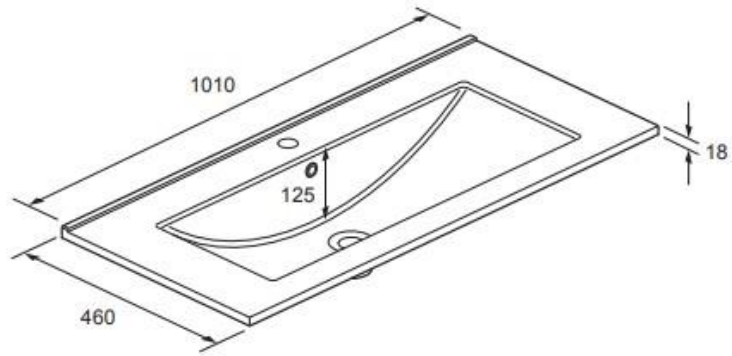
CODE No	GL07105MB - No tap hole GL07115MB - Single tap hole
Compatible with:	GL7000Dxx+
Recommended use	Domestic, hotel, residential
Material	Low Iron Soda Lime Silicate Glass EN572-9:2005
Standards	EN 14688 – CL 0 EN31
Required Fitting:	Universal Basin Waste BSW0260C-PRO0260X
Colour	Matt finish Midnight Black
Specification	1 centre tap hole or no tap hole Over flow, including matt black overflow cover
Fixing	Furniture carcass only
Weight	10kg
Warranty	10 years

SPECIFICATION

Furniture basin
EN 31/EN 14688 – CL 0
Dimensions w 706 x d 455 x h 12mm
Tested in accordance with EN 14688:2009, 4.3
Maximum water Temperature 70°C



Sizes detailed could have a variation of about +/- 5 % due to the changes to material characteristics during the firing processes. Exact measurements for individual installations can only be taken from the finished basin.



Side view on arrow

Dimensions in Millimeters

GLIDE II 100cm CERAMIC BASIN - DE0004SCW+

PRODUCT DATA SHEET

crosswater[®]



PRODUCT CODE
FB1011SRW

RANGE
FURN BASIN

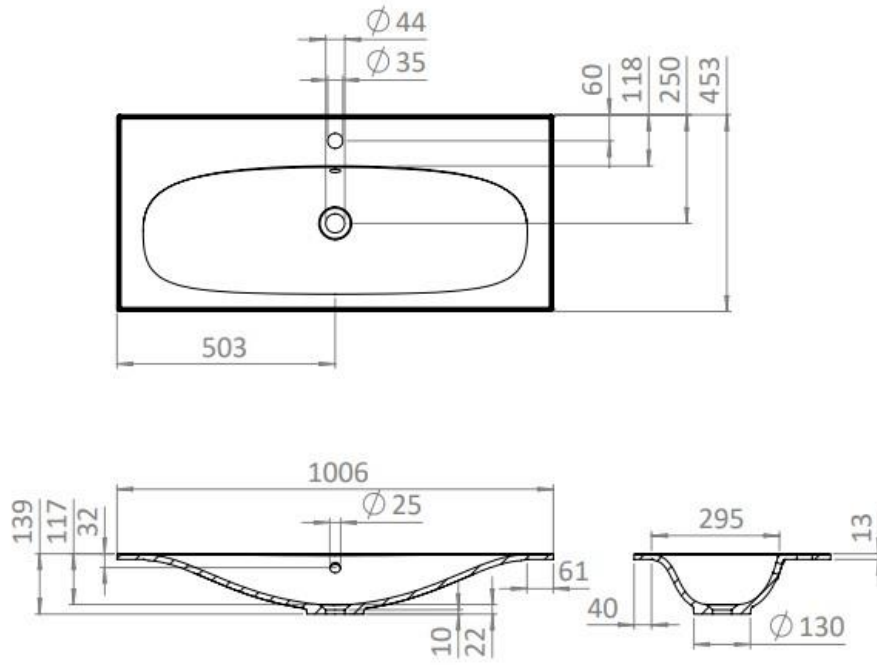
DESCRIPTION
Furniture Basin 1000mm 1TH White
Overflow

COLOUR	White
MATERIAL	Gelcoat Cast Mineral Marble
STANDARDS	EN 31/EN 14688 - CL0
INSTALLATION TYPE	Furniture Mounted
DOP CLASS	01-2017
CAPACITY OF WATER AT OVERFLOW LEVEL	15 L
BASIN WASTE SIZE	45mm
TAP HOLES	1TH
OVERFLOW	Yes
WARRANTY	10 Years

TECHNICAL DIMENSIONS

Dimensions in mm unless otherwise specified.

Tolerances (per material type) apply.



V10522

Measurements in millimetres mm

Information updated July 2020

Tel 0345 873 8840

crosswater[™]

GLIDE II 1000mm Glass Basin

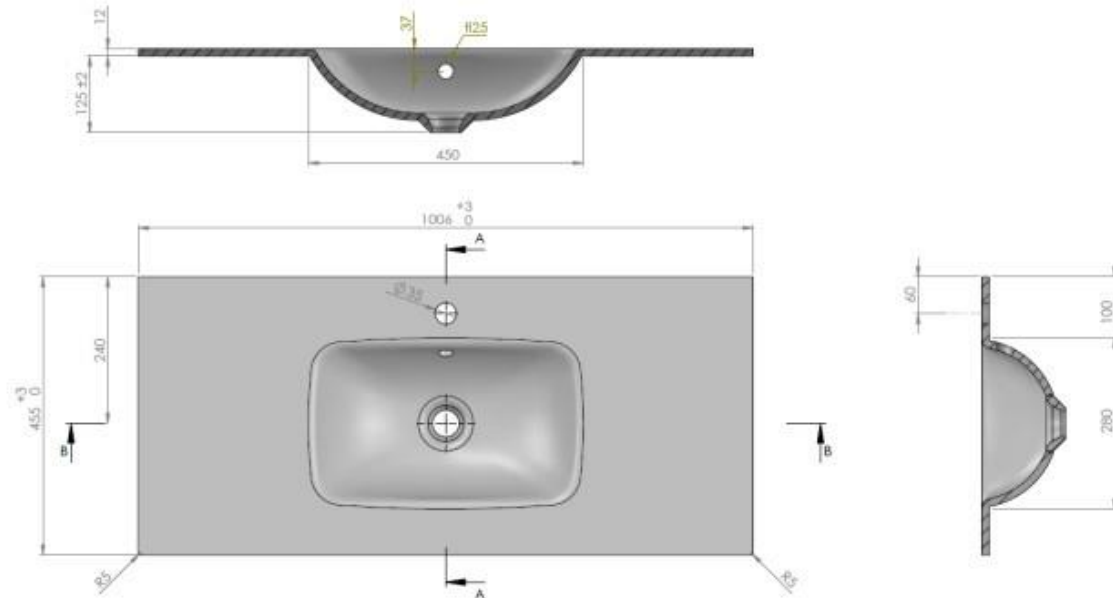


TECHNICAL DATA

CODE No	GL1010SIW no tap hole GL1011SIW Single tap hole
Compatible with:	GL1000Dxx+
Recommended use	Domestic, hotel, residential
Material	Low Iron Soda Lime Silicate Glass EN572-9:2005
Standards	EN 14688 – CL 0 EN31
Required Fitting:	Universal Basin Waste BSW0260C-PRO0260X
Colour	Gloss finish Ice White
Specification	1 centre tap hole or no tap hole Over flow, including chrome overflow cover
Fixing	Furniture carcass only
Weight	14.2Kg
Warranty	10 years

SPECIFICATION

Furniture basin
EN 31/EN 14688 – CL 0
Dimensions w 1006 x d 455 x h 12mm
Tested in accordance with EN 14688:2009, 4.3
Maximum water Temperature 70°C



Sizes detailed could have a variation of about +/- 5 % due to the changes to material characteristics during the firing processes. Exact measurements for individual installations can only be taken from the finished basin.

Measurements in millimetres mm

Information updated May 2021

Tel 0345 873 8840

crosswater[™]

GLIDE II 1000mm Glass Basin

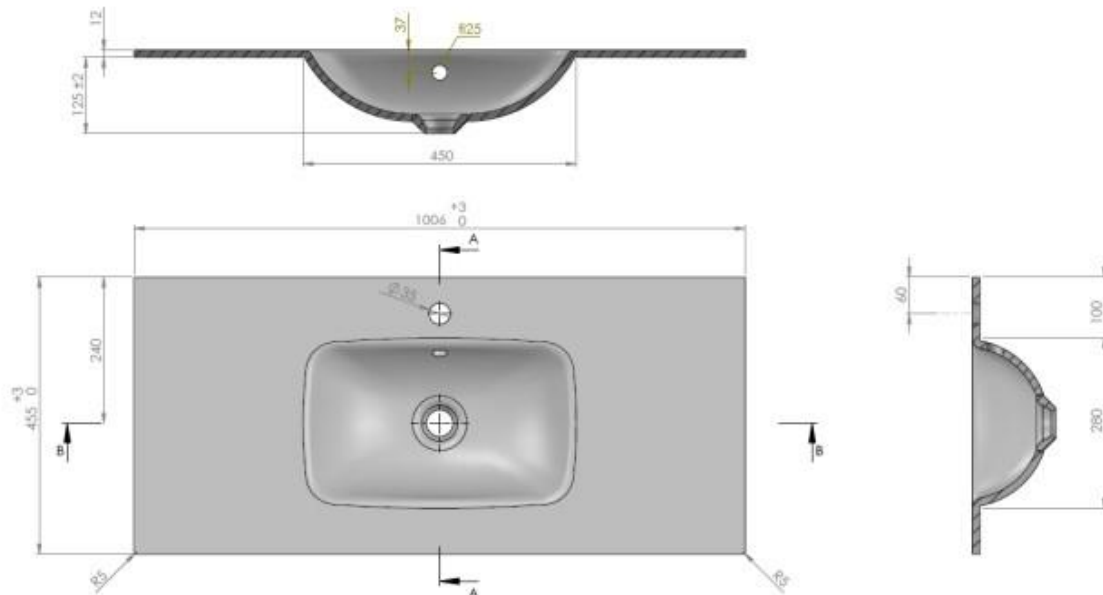


TECHNICAL DATA

CODE No	GL1010SMB - No tap hole GL1011SMB - Single tap hole
Compatible with:	GL1000Dxx+
Recommended use	Domestic, hotel, residential
Material	Low Iron Soda Lime Silicate Glass EN572-9:2005
Standards	EN 14688 – CL 0 EN31
Required Fitting:	Universal Basin Waste BSW0260C-PRO0260X
Colour	Matt finish Midnight Black
Specification	1 centre tap hole or no tap hole Over flow, including matt black overflow cover
Fixing	Furniture carcass only
Weight	14.2Kg
Warranty	10 years

SPECIFICATION

Furniture basin
EN 31/EN 14688 – CL 0
Dimensions w 1006 x d 455 x h 12mm
Tested in accordance with EN 14688:2009, 4.3
Maximum water Temperature 70°C



Sizes detailed could have a variation of about +/- 5 % due to the changes to material characteristics during the firing processes. Exact measurements for individual installations can only be taken from the finished basin.