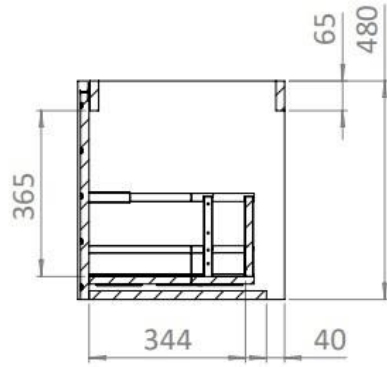
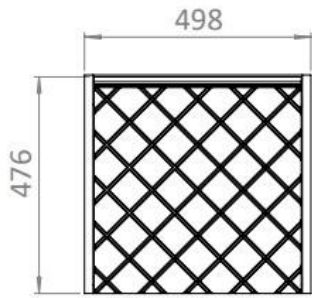
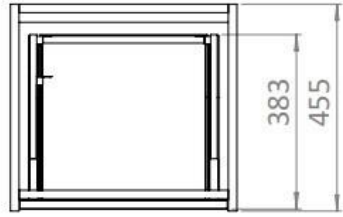


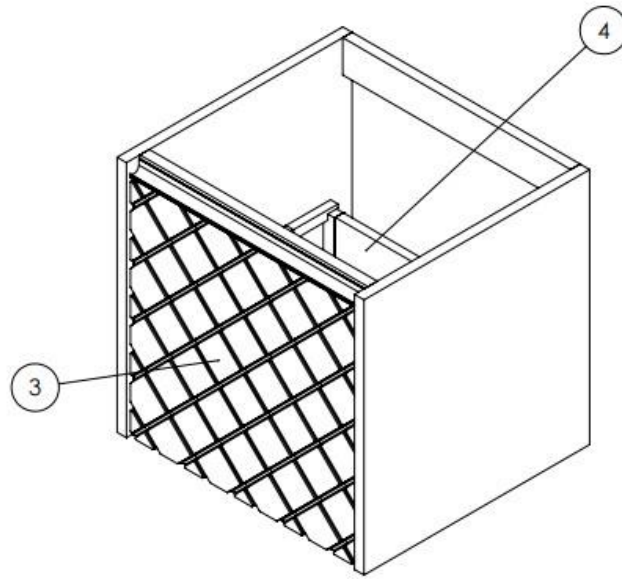
COLOUR CODE/ REFERENCE	Crosswater Exclusive
MATERIAL	MDF
STANDARDS	EN 13986 EN 14749
INSTALLATION TYPE	Wall-Mounted
DRAWER BOX	Metal Drawer Box
DRAWER RUNNERS	InnoTech Atira - Soft Close, Pull To Open
DRAWER EXTENSION	Full Extension
DRAWER ADJUSTMENT	3 Way
DRAWER CAPACITY	30kg
WALL HANGERS	InnoTech Atira - Factory Fitted 100kg Load Capacity Per Pair On A Solid Wall 2 Way Adjustment
ADJUSTABLE FEET	No
WARRANTY	10 Years

**Vergo Wall-Mounted Vanity Unit
500**



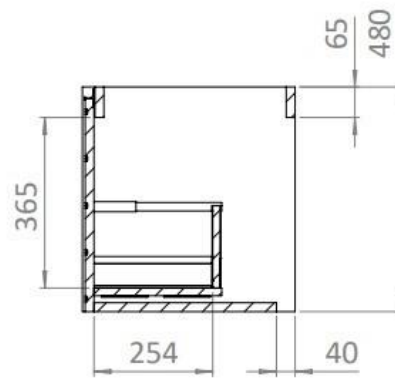
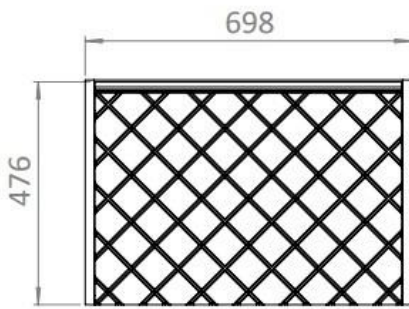
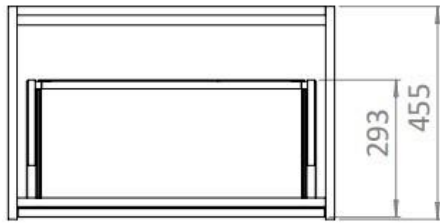
V10522

SPARES DIAGRAM

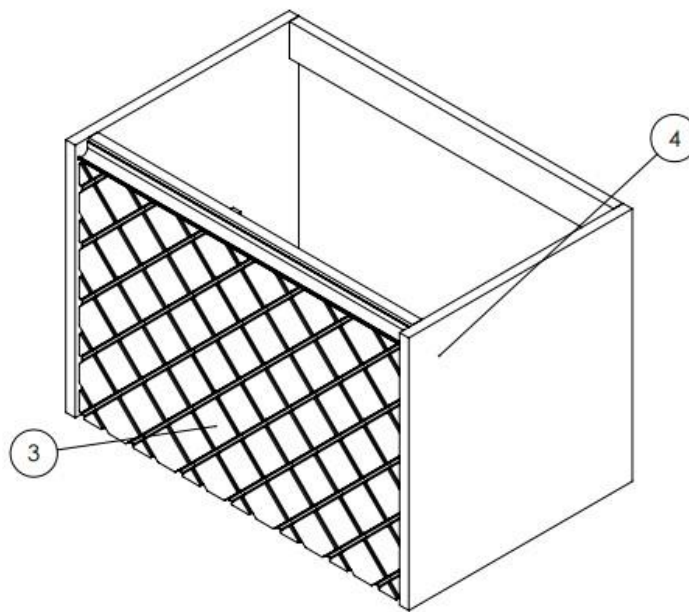


NUMBER	PART CODE	DESCRIPTION
1	RUNNERSVERGO	Vergo Set of Drawer Runners x2 All Units
2	WBRACKETSVERGO	Vergo Wall Brackets x2
3	TDF_VG500DWM	Vergo Drawer Front Only for VG500DWM
	TDF_VG500DBM	Vergo Drawer Front Only for VG500DBM
	TDF_VG500DMS	Vergo Drawer Front Only for VG500DMS
4	DRAWER_VG500Dxx	Vergo Dower Box Complete No Front VG500Dxx

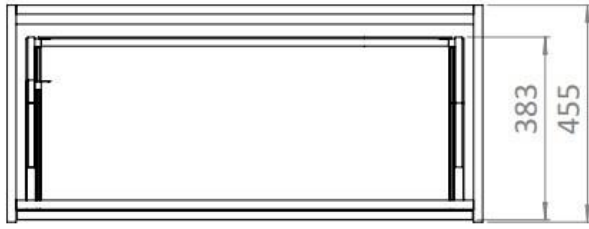
Vergo Wall-Hung Vanity Unit 700



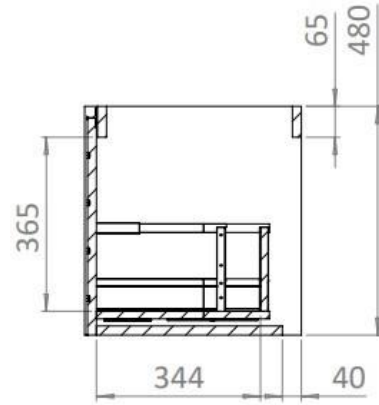
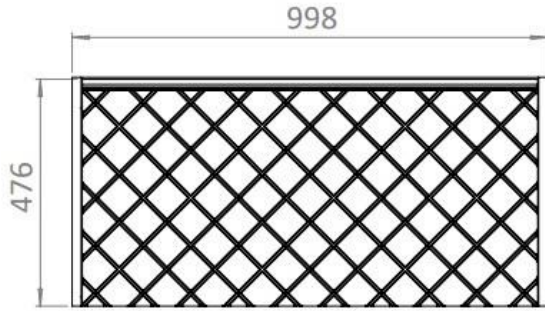
SPARES DIAGRAM



NUMBER	PART CODE	DESCRIPTION
1	RUNNERSVERGO	Vergo Set of Drawer Runners x2 All Units
2	WBRACKETSVERGO	Vergo Wall Brackets x2
3	TDF_VG700DWM	Vergo Drawer Front Only for VG700DWM
	TDF_VG700DBM	Vergo Drawer Front Only for VG700DBM
	TDF_VG700DMS	Vergo Drawer Front Only for VG700DMS
4	DRAWER_VG700Dxx	Vergo Dower Box Complete No Front VG700Dxx

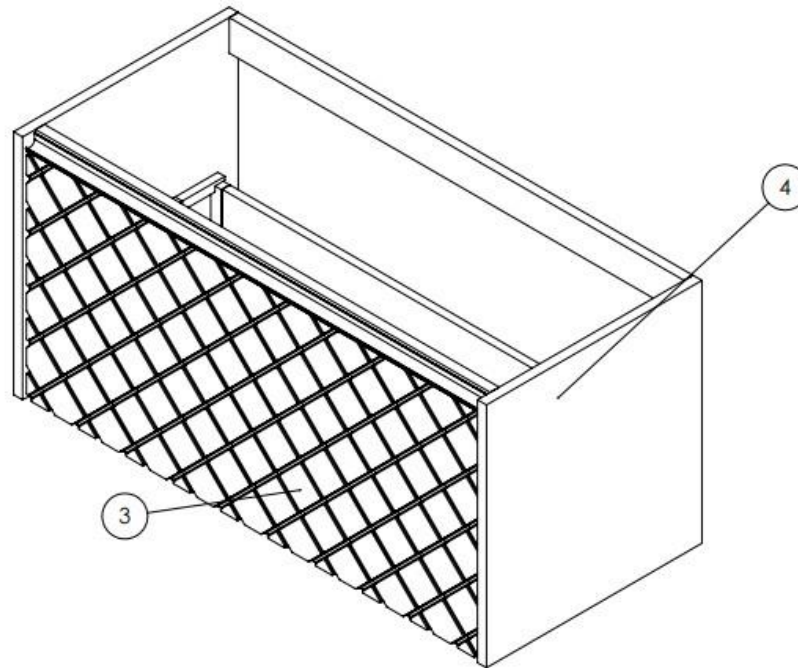


**Vergo Wall-Hung Vanity
Unit 1000**



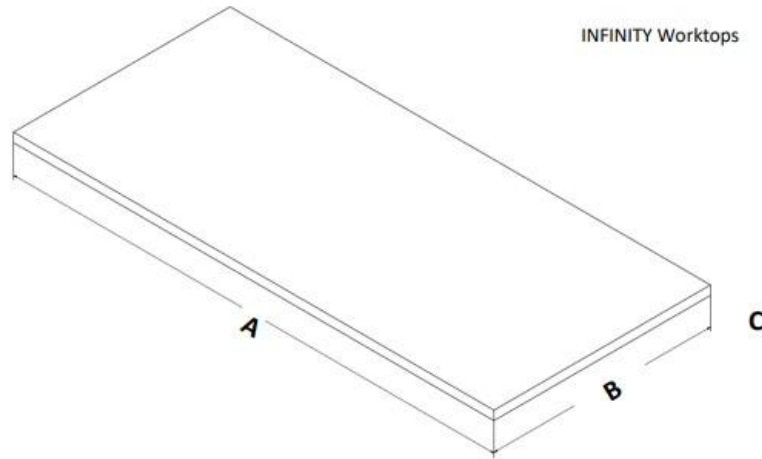
V10522

SPARES DIAGRAM



NUMBER	PART CODE	DESCRIPTION
1	RUNNERSVERGO	Vergo Set of Drawer Runners x2 All Units
2	WBRACKETSVERGO	Vergo Wall Brackets x2
3	TDF_VG1000DWM	Vergo Drawer Front Only for VG1000DWM
	TDF_VG1000DBM	Vergo Drawer Front Only for VG1000DBM
	TDF_VG1000DMS	Vergo Drawer Front Only for VG1000DMS
4	DRAWER_VG1000Dxx	Vergo Dower Box Complete No Front VG1000Dxx

INFINITY Worktops



Code	Description	Finish	A	B	C	Weight
			mm	mm	mm	Kg
IF5100TMC+	Solid Surface Worktop	Veined Carrara Marble Effect	510	455	12.5	6.00
IF5100TPW	Solid Surface Worktop	Polar White Matt	510	455	12.5	6.00
IF5100TWO	HPL Worktop	Windsor Oak	510	455	18	3.60
IF7100TMC+	Solid Surface Worktop	Veined Carrara Marble Effect	710	455	12.5	8.00
IF7100TPW	Solid Surface Worktop	Polar White Matt	710	455	12.5	8.00
IF7100TWO	HPL Worktop	Windsor Oak	710	455	18	4.90
IF9100TMC+	Solid Surface Worktop	Veined Carrara Marble Effect	910	455	12.5	10.00
IF9100TPW	Solid Surface Worktop	Polar White Matt	910	455	12.5	10.00
IF9100TWO	HPL Worktop	Windsor Oak	910	455	18	6.30
IF1010TMC+	Solid Surface Worktop	Veined Carrara Marble Effect	1010	455	12.5	11.00
IF1010TPW	Solid Surface Worktop	Polar White Matt	1010	455	12.5	11.00
IF1010TWO	HPL Worktop	Windsor Oak	1010	455	18	6.90
IF1210TMC+	Solid Surface Worktop	Veined Carrara Marble Effect	1210	455	12.5	14.00
IF1210TPW	Solid Surface Worktop	Polar White Matt	1210	455	12.5	14.00
IF1210TWO	HPL Worktop	Windsor Oak	1210	455	18	8.30
IF1410TMC+	Solid Surface Worktop	Veined Carrara Marble Effect	1410	455	12.5	16.00
IF14100TPW	Solid Surface Worktop	Polar White Matt	1410	455	12.5	19.00
IF14100TWO	HPL Worktop	Windsor Oak	1410	455	18	9.70

Recommended use: Domestic, residential
Installation: Mounted on furniture carcass only
Materials: 18mm HPL (High Pressure Laminate) PU edged
 Composite board Laminate conforms to EN 438-2
 Minerva® Solid Surface
 Barcol Hardness - EN59 3 Light Fastnes
 ISO 4892 3 Fungal Resistance
 EN V 1186 3 Bacterial Resistance
 Exposure to Dry Heat - EN 438-2.8
Supply: Supplied undrilled for basin waste or tap fittings