

# PRODUCT DATA SHEET



PRODUCT CODE:

**PRO330WC**

RANGE:

**MPRO**

DESCRIPTION:

**Bath 3H Filler Wall Mounted Chrome**

<b>MIN. PRESSURE</b>	1 Bar
<b>MAX. PRESSURE</b>	5 Bar

<b>PRESSURE (Bar)</b>		<b>FLOWRATE</b>
LOW	0.2	0.0
MID	0.5	0.0
HIGH	1	32
	2	47
	4	66
	5	75

**COLOUR**

Chrome

**MATERIAL**

Brass

**FINISH APPLICATION**

Electroplating

**INSTALLATION TYPE**

Wall-Mounted

**APPROVALS**

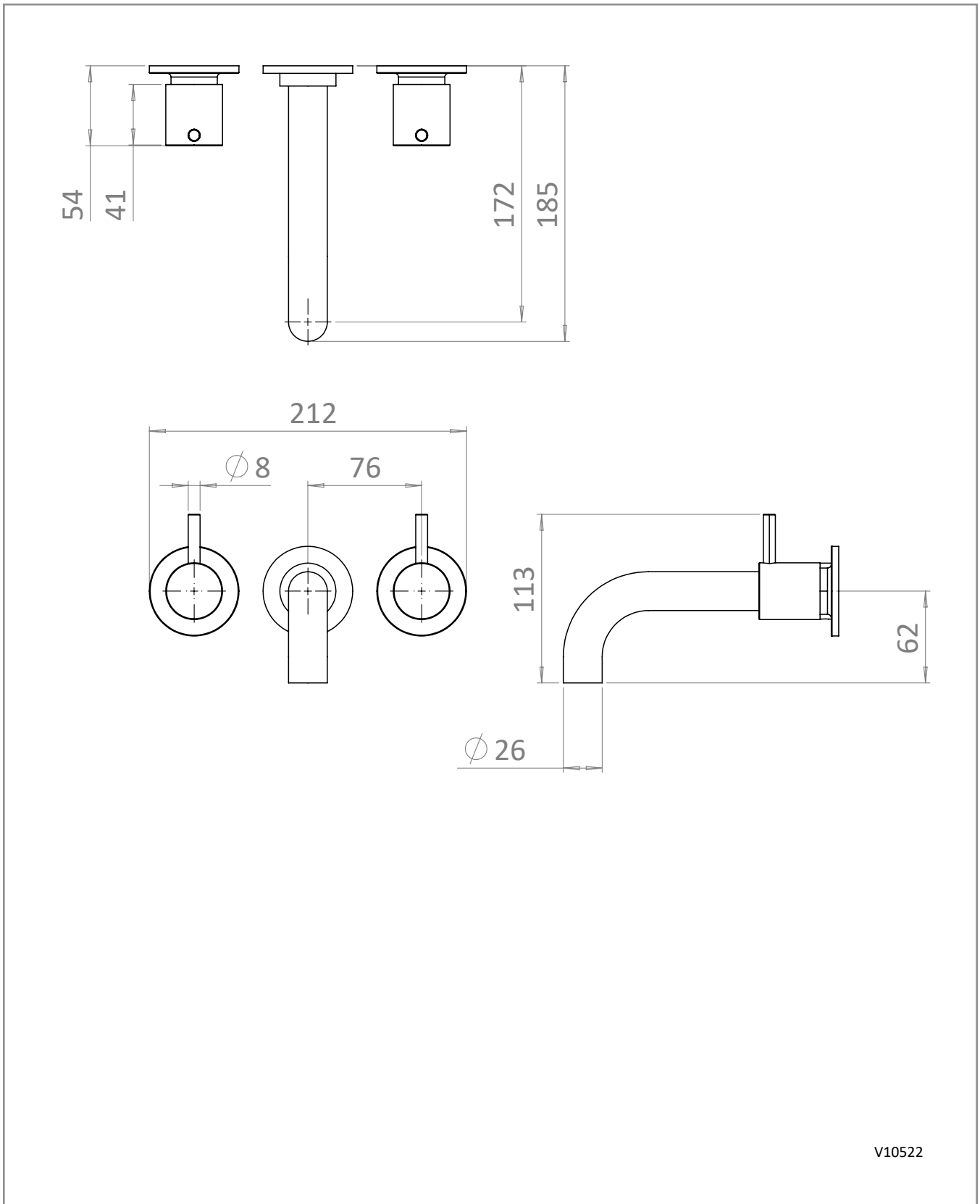
KIWA - 2001772

**WARRANTY**

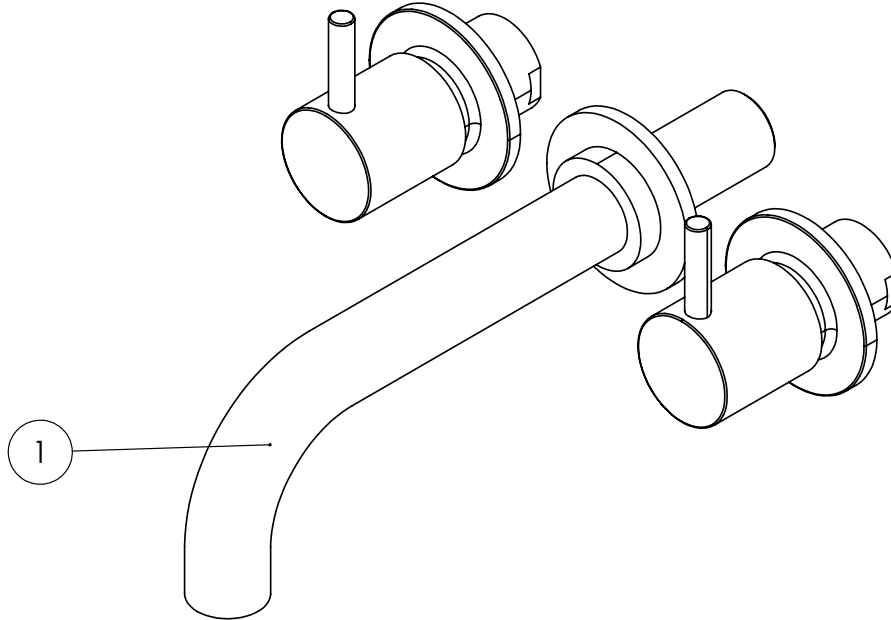
15 Years

**TECHNICAL DIMENSIONS**

Dimensions in mm unless otherwise specified.  
Tolerances (per material type) apply.



**SPARES DIAGRAM**



NUMBER	PART CODE	DESCRIPTION
1	PRO330SPOUTC	MPRO Bath Filler Spout - Chrome
	PRO330SPOUTF	MPRO Bath Filler Spout - Brushed Brass
	PRO330SPOUTM	MPRO Bath Filler Spout - Matt Black
	PRO330SPOUTV	MPRO Bath Filler Spout - Stainless Steel

Only the parts labelled are available as spares.

V10522