

PRODUCT DATA SHEET



PRODUCT CODE:

PRO330WV

RANGE:

MPRO

DESCRIPTION:

**Bath 3H Filler Wall Mounted
Stainless**

MIN. PRESSURE	1 Bar
MAX. PRESSURE	5 Bar

PRESSURE (Bar)		FLOWRATE
LOW	0.2	0.0
MID	0.5	0.0
HIGH	1	32
	2	47
	4	66
	5	75

COLOUR

Stainless Steel Effect

MATERIAL

Brass

FINISH APPLICATION

PVD

INSTALLATION TYPE

Wall-Mounted

APPROVALS

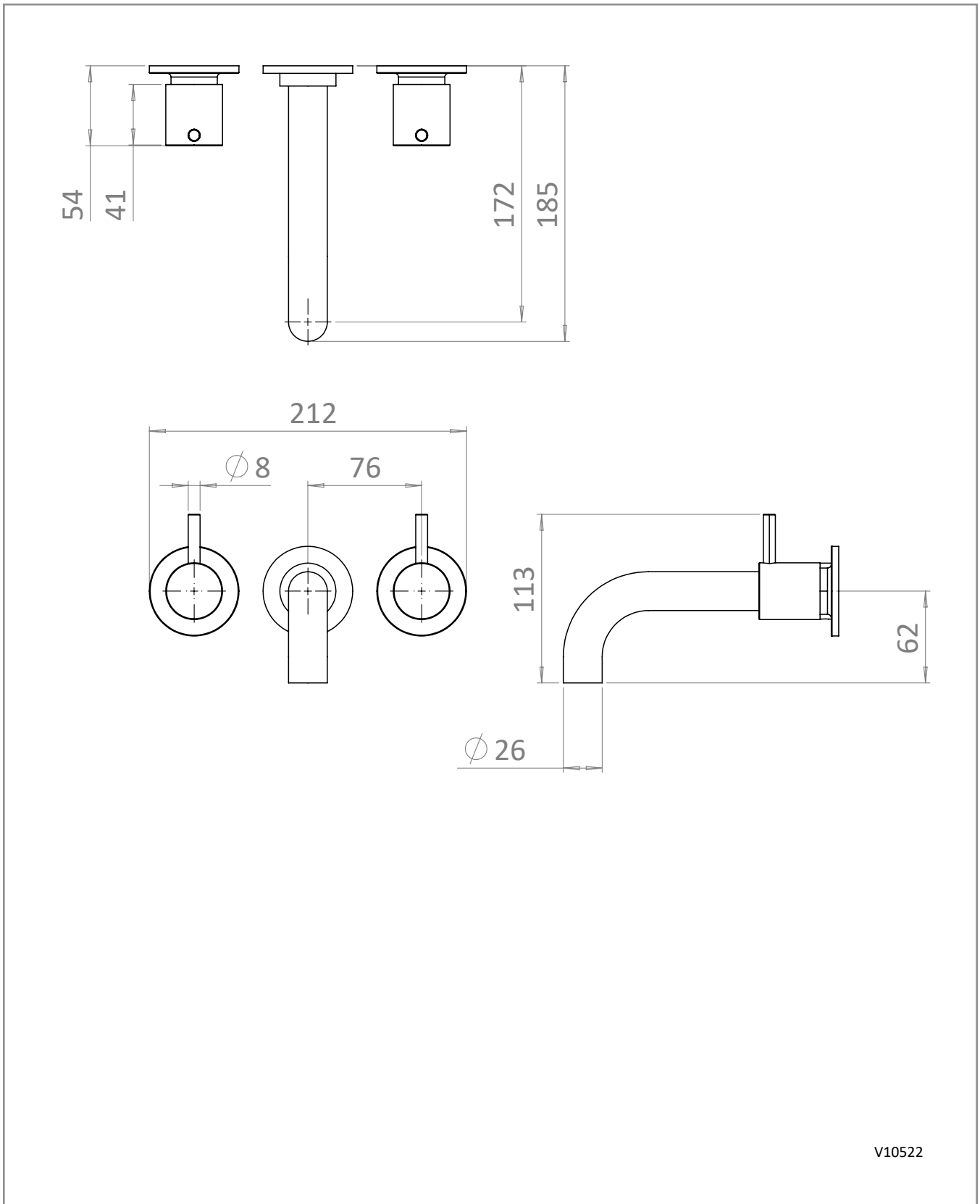
KIWA - 2001772

WARRANTY

15 Years

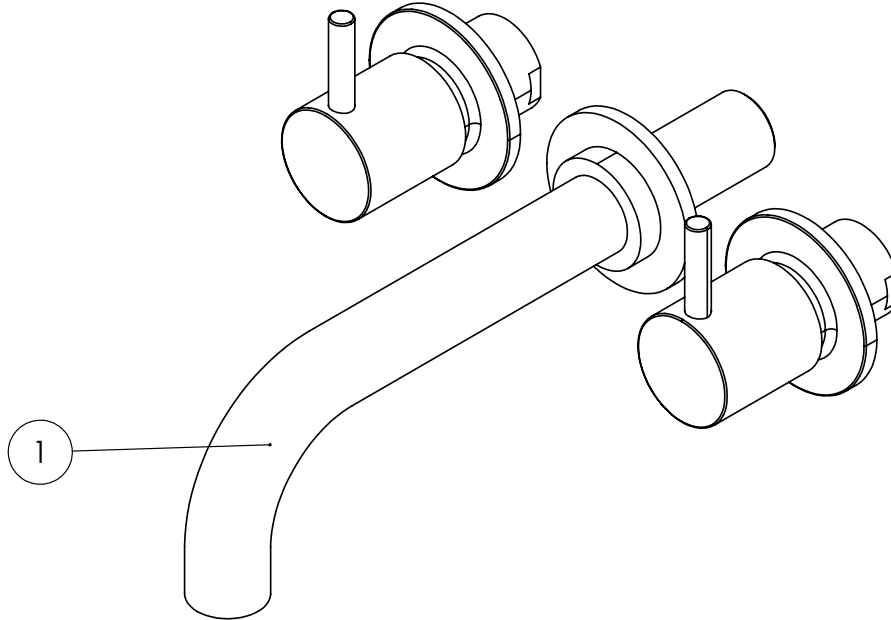
TECHNICAL DIMENSIONS

Dimensions in mm unless otherwise specified.
Tolerances (per material type) apply.



V10522

SPARES DIAGRAM



NUMBER	PART CODE	DESCRIPTION
1	PRO330SPOUTC	MPRO Bath Filler Spout - Chrome
	PRO330SPOUTF	MPRO Bath Filler Spout - Brushed Brass
	PRO330SPOUTM	MPRO Bath Filler Spout - Matt Black
	PRO330SPOUTV	MPRO Bath Filler Spout - Stainless Steel

Only the parts labelled are available as spares.

V10522