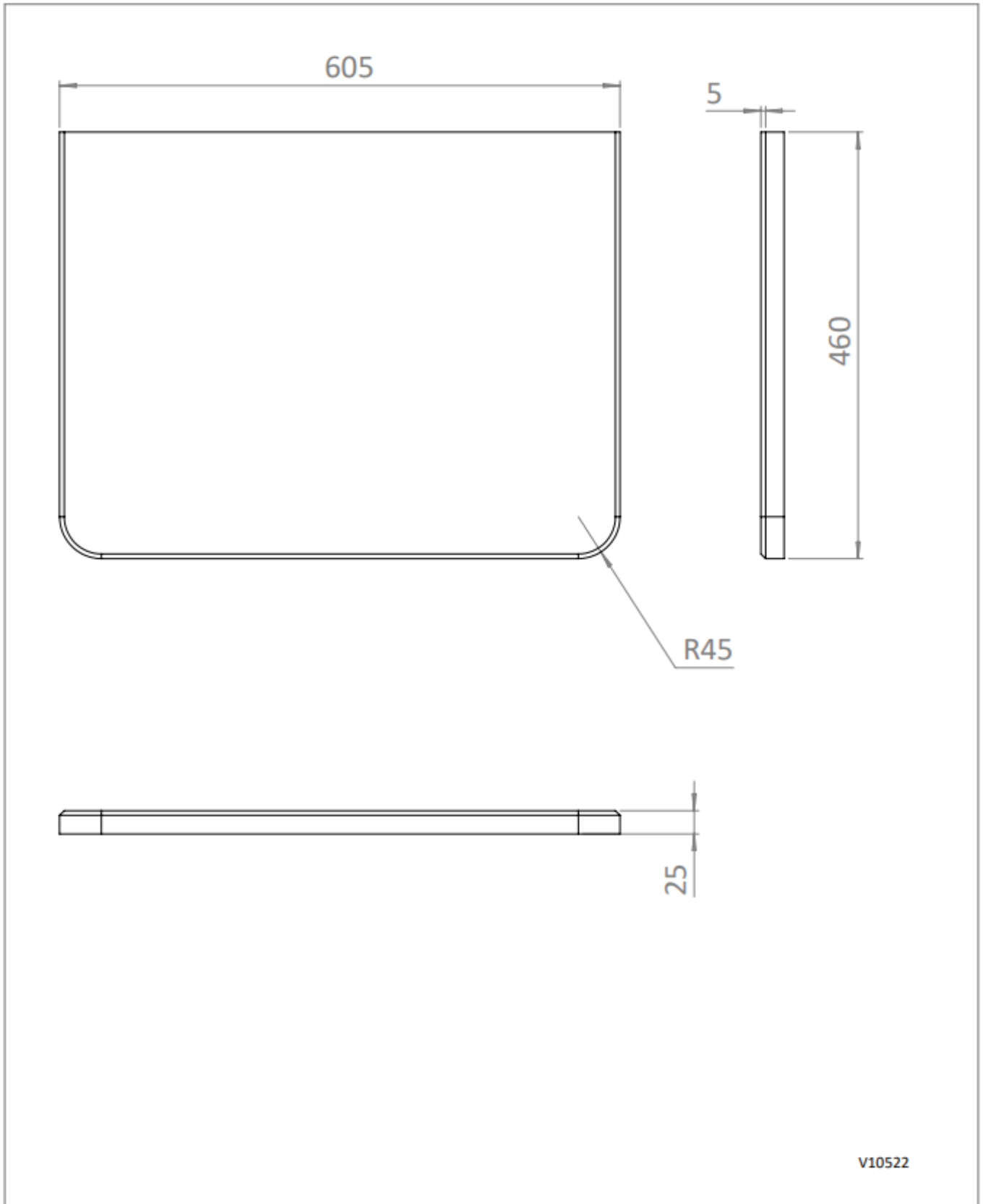


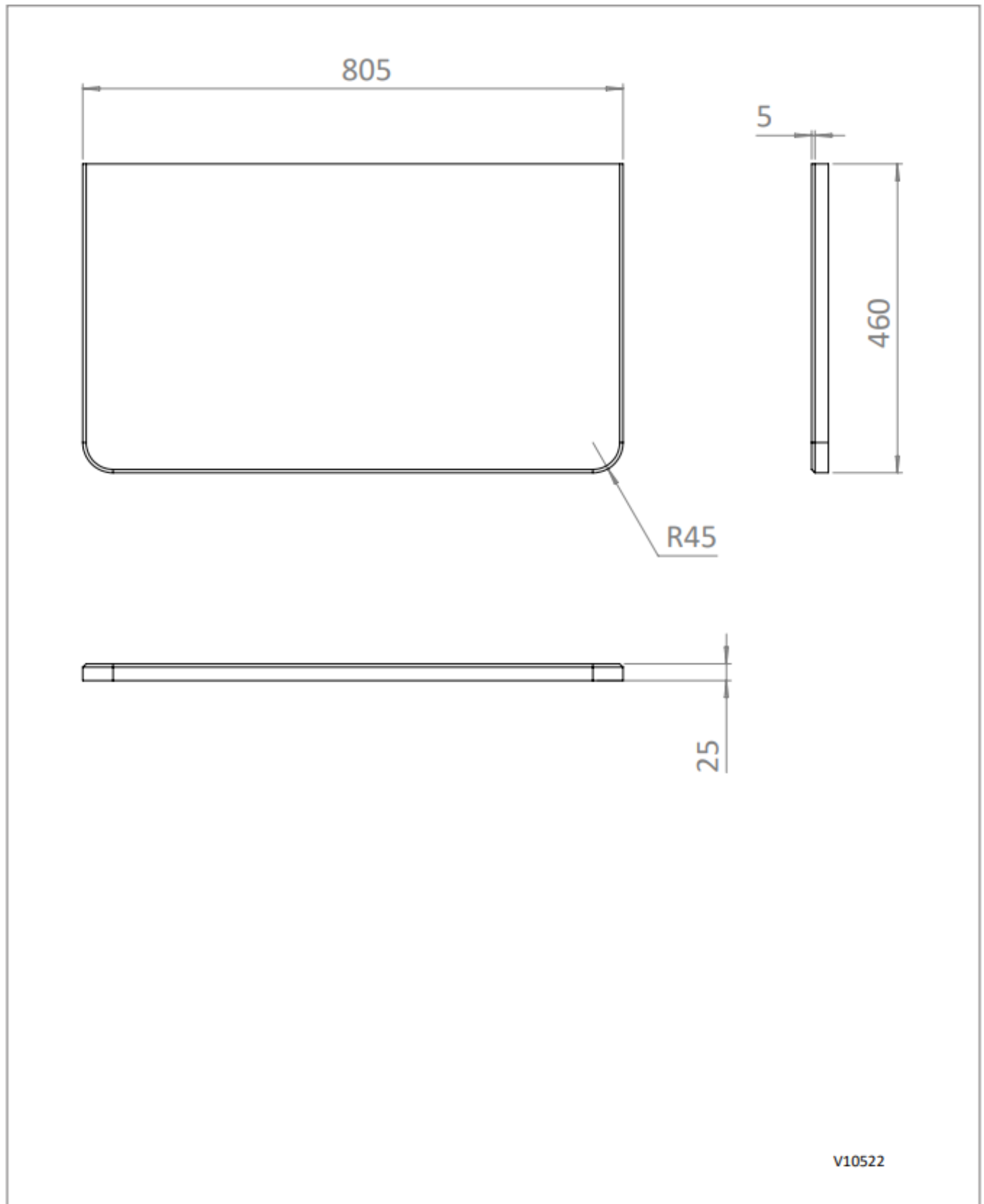
TECHNICAL DIMENSIONS

Dimensions in mm unless otherwise specified.
Tolerances (per material type) apply.



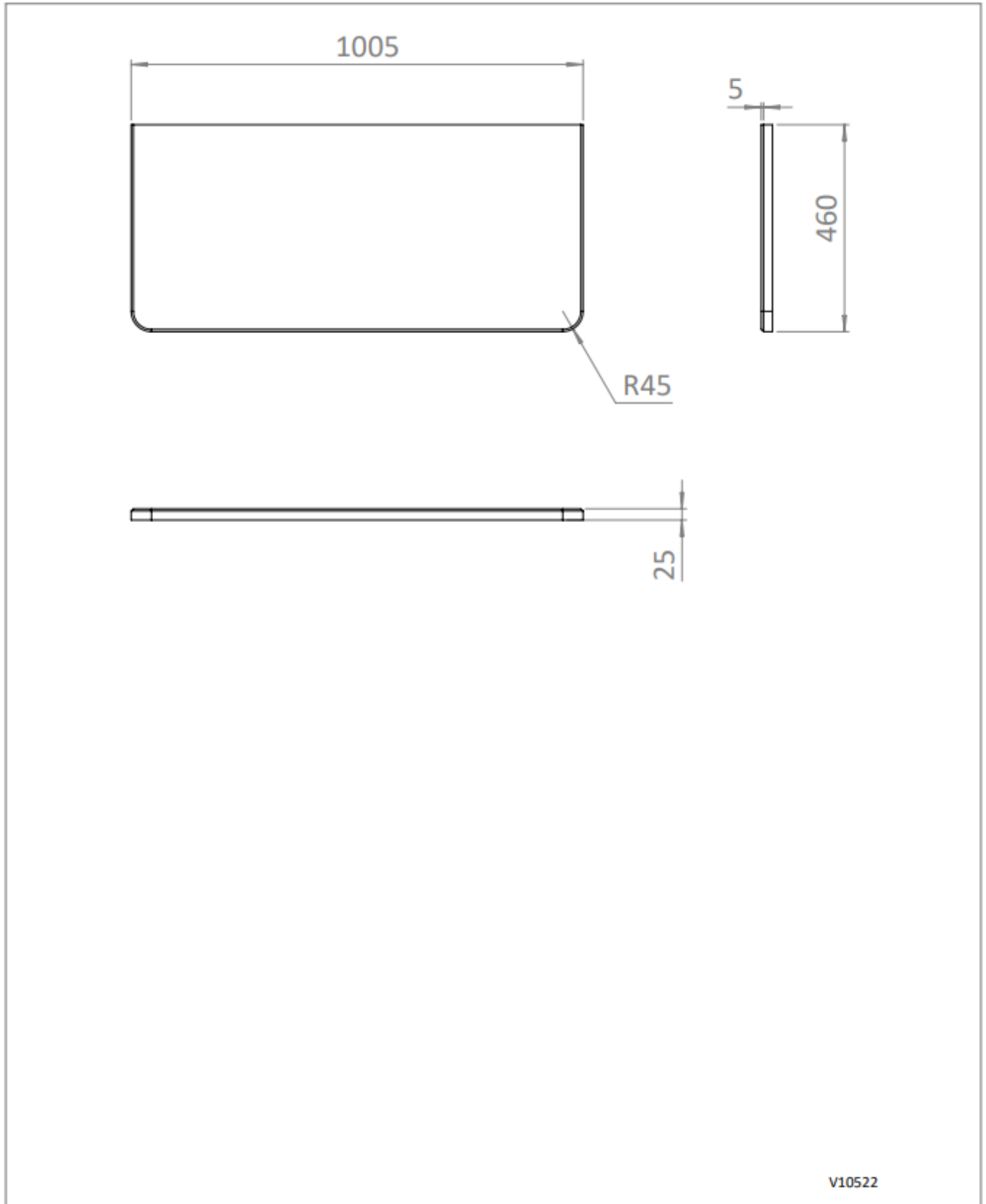
TECHNICAL DIMENSIONS

Dimensions in mm unless otherwise specified.
Tolerances (per material type) apply.



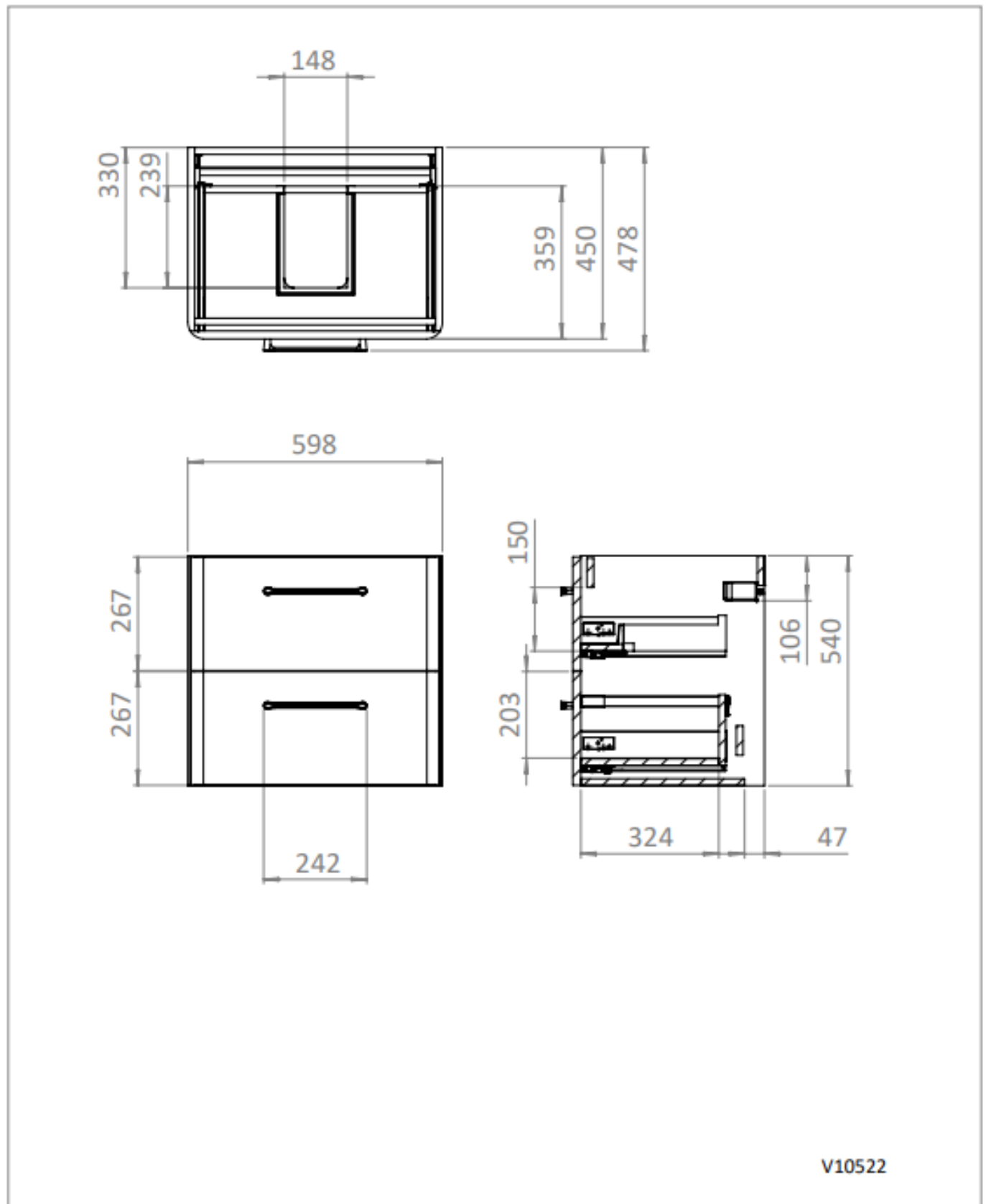
TECHNICAL DIMENSIONS

Dimensions in mm unless otherwise specified.
Tolerances (per material type) apply.



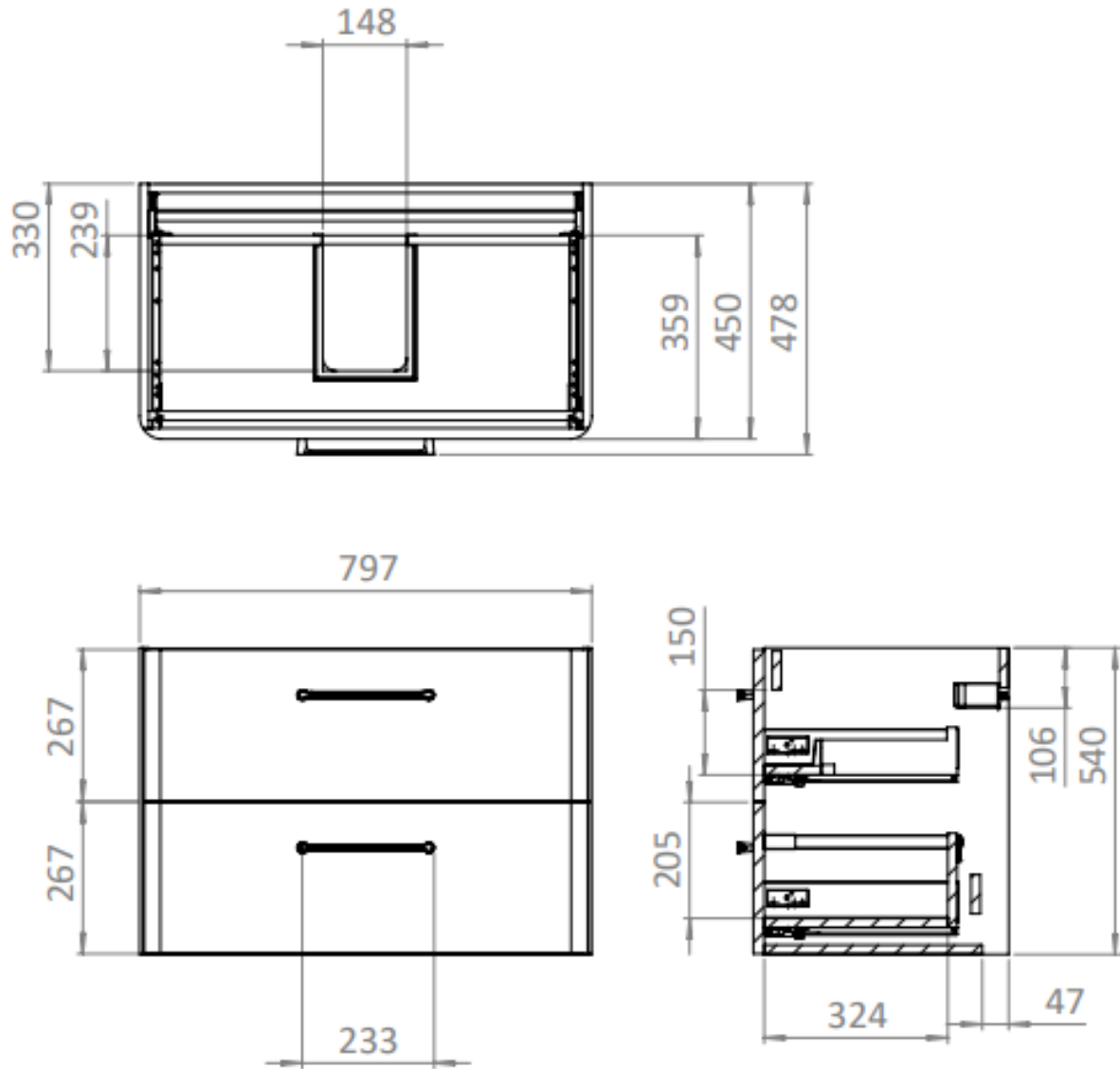
TECHNICAL DIMENSIONS

Dimensions in mm unless otherwise specified.
Tolerances (per material type) apply.



TECHNICAL DIMENSIONS

Dimensions in mm unless otherwise specified.
Tolerances (per material type) apply.



V10522

TECHNICAL DIMENSIONS

Dimensions in mm unless otherwise specified.
Tolerances (per material type) apply.

