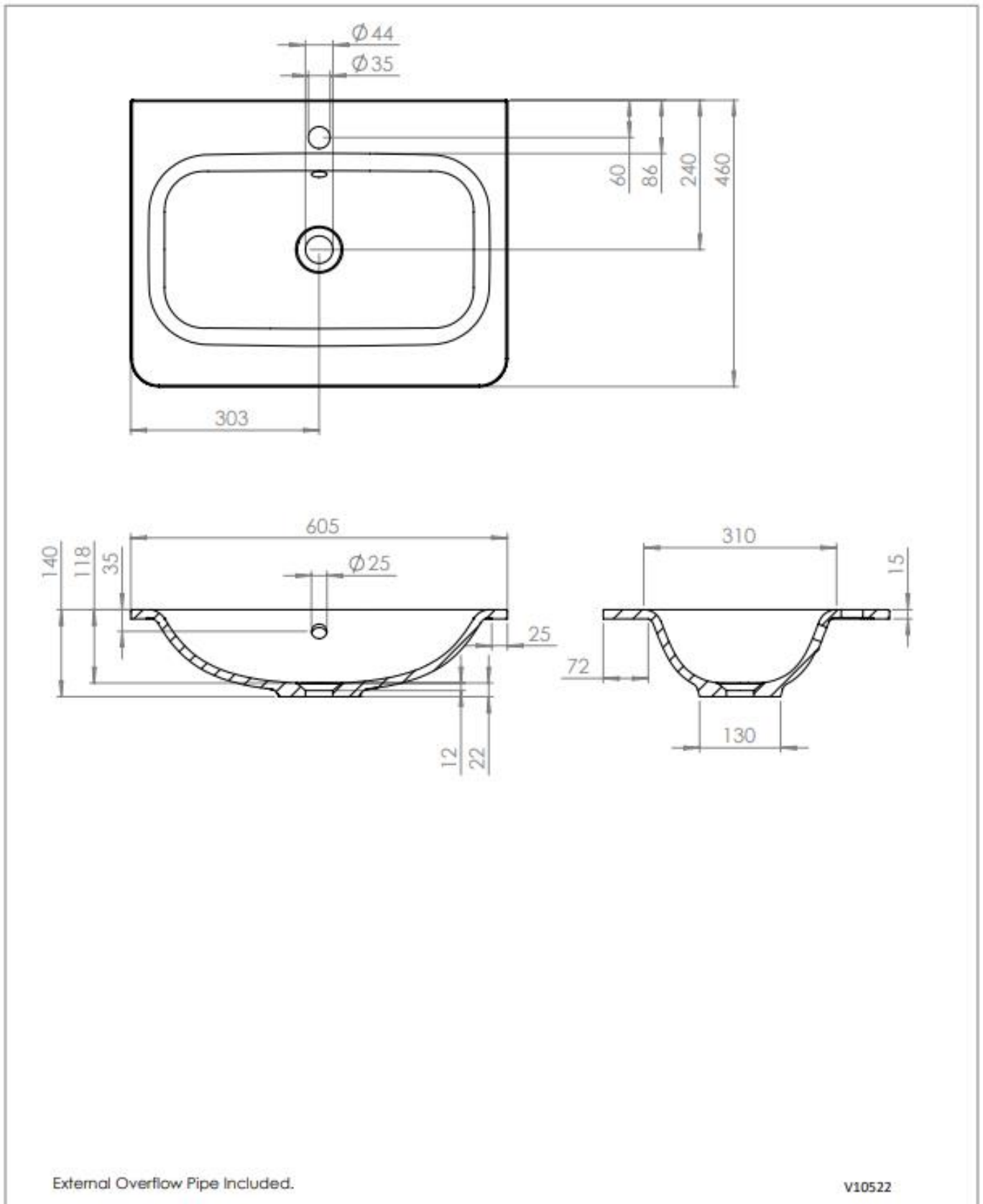


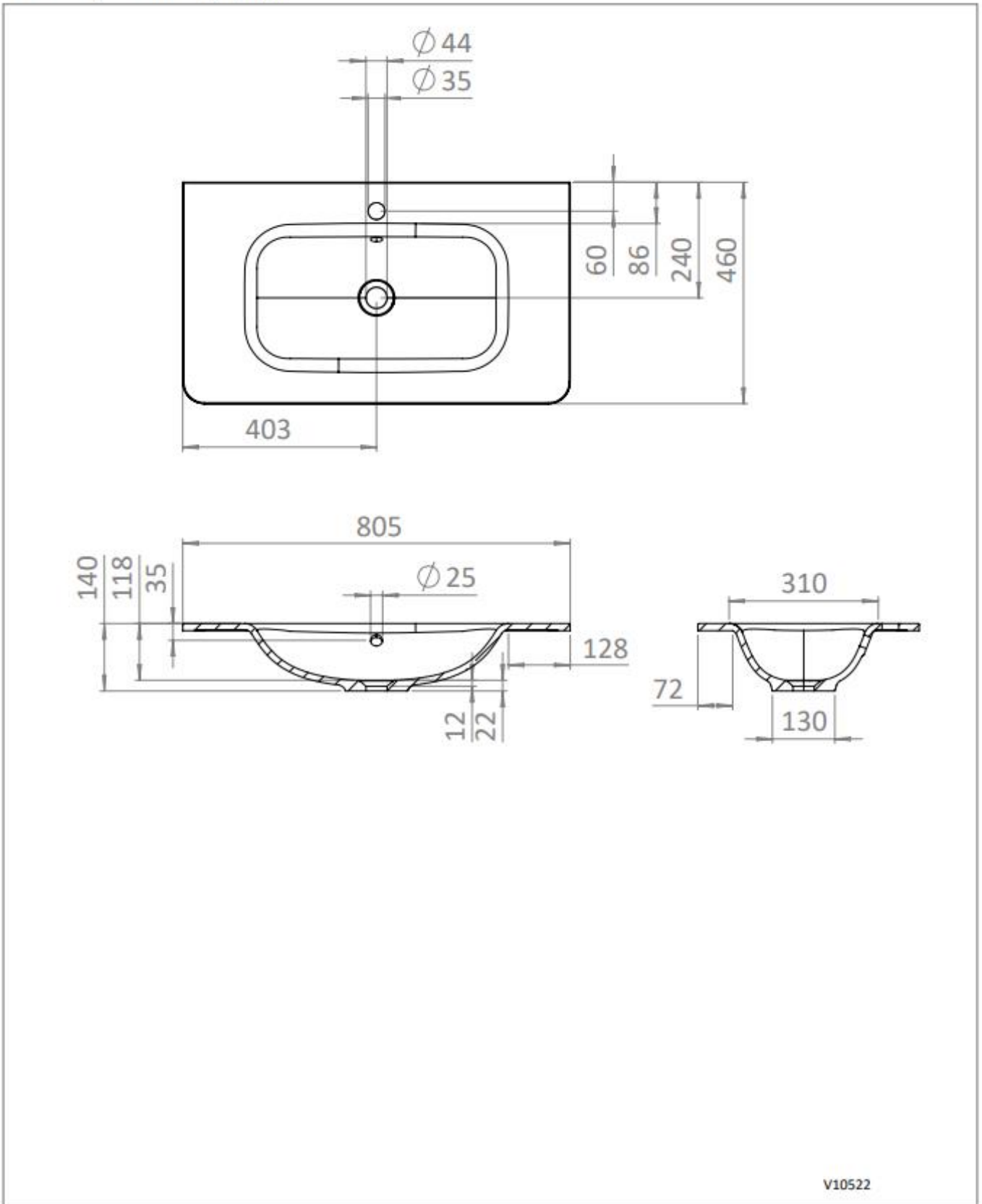
## TECHNICAL DIMENSIONS

Dimensions in mm unless otherwise specified.  
Tolerances (per material type) apply.



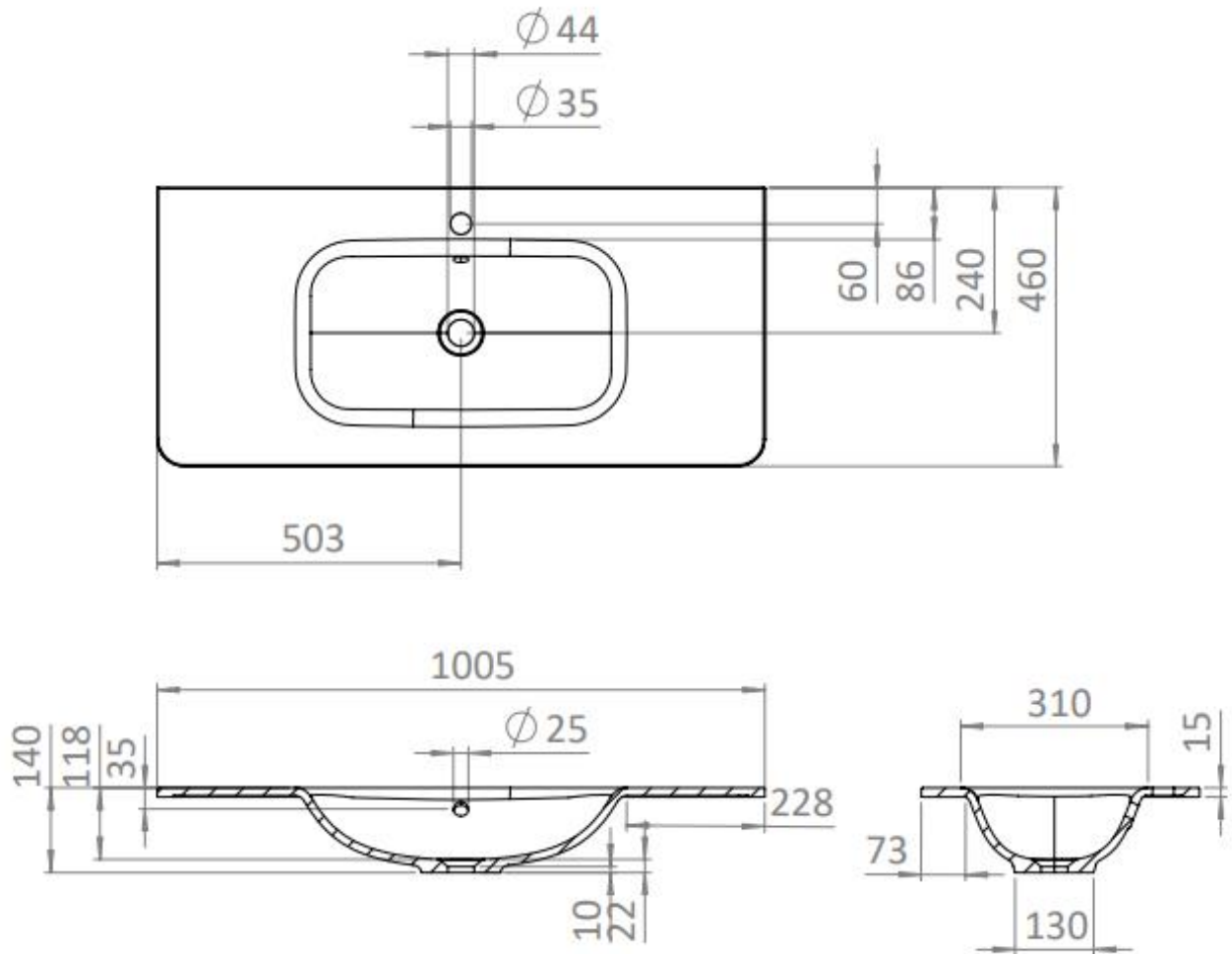
## TECHNICAL DIMENSIONS

Dimensions in mm unless otherwise specified.  
Tolerances (per material type) apply.



## TECHNICAL DIMENSIONS

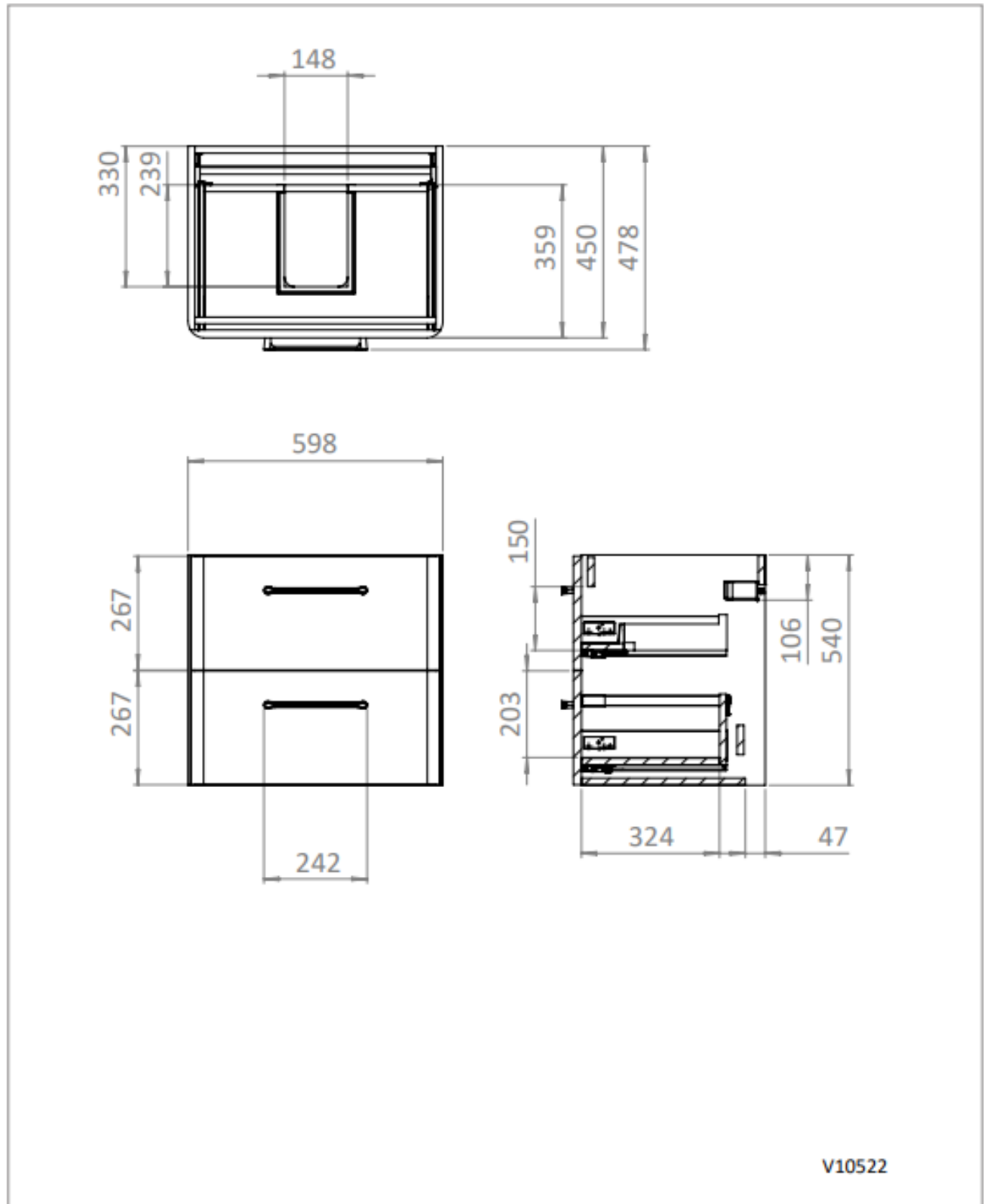
Dimensions in mm unless otherwise specified.  
Tolerances (per material type) apply.



V10522

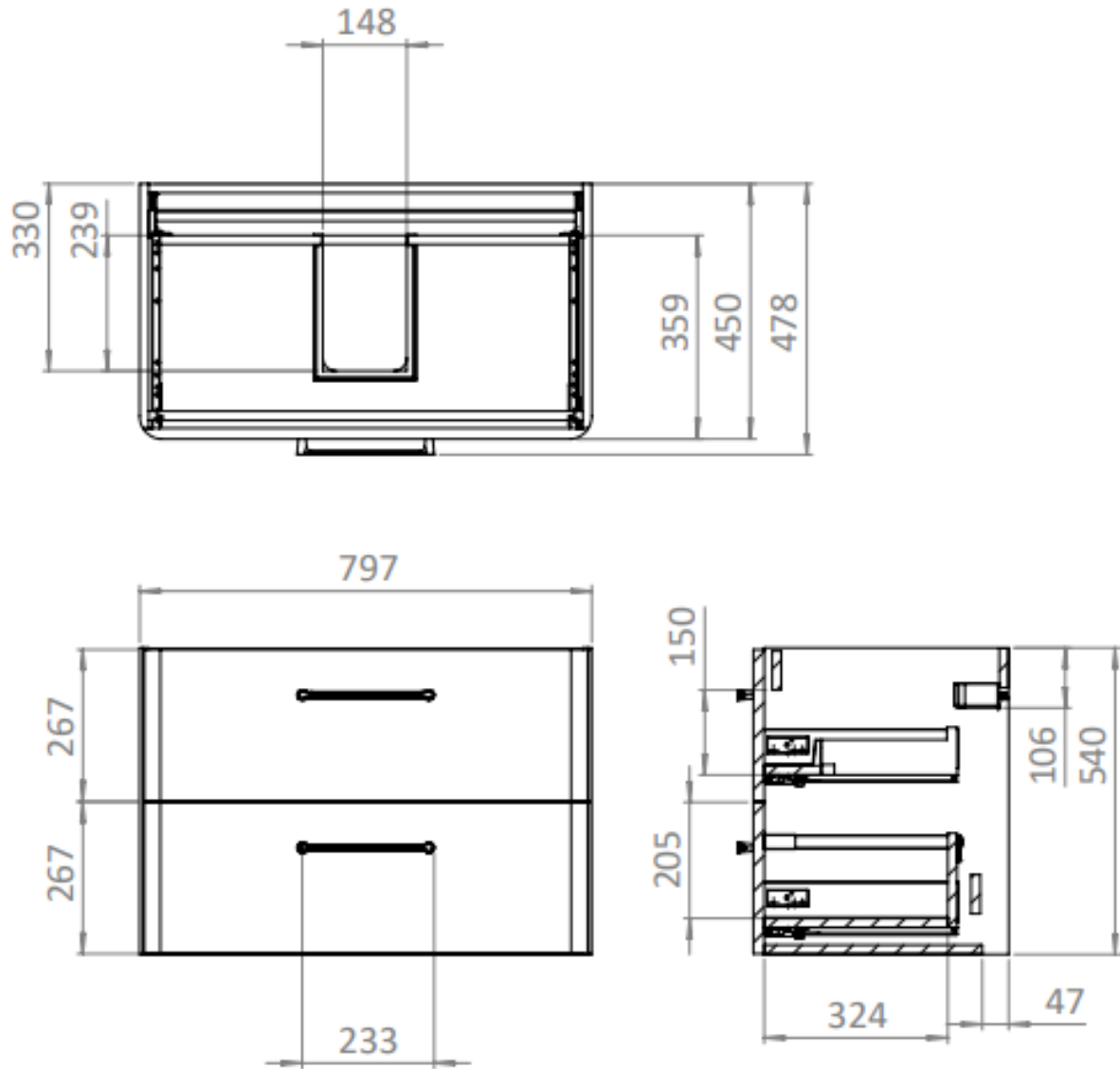
## TECHNICAL DIMENSIONS

Dimensions in mm unless otherwise specified.  
Tolerances (per material type) apply.



## TECHNICAL DIMENSIONS

Dimensions in mm unless otherwise specified.  
Tolerances (per material type) apply.



V10522

## TECHNICAL DIMENSIONS

Dimensions in mm unless otherwise specified.  
Tolerances (per material type) apply.

