

## PRODUCT DATA SHEET

crosswater<sup>x</sup>



PRODUCT CODE  
CV4850SG

RANGE  
CANVASS

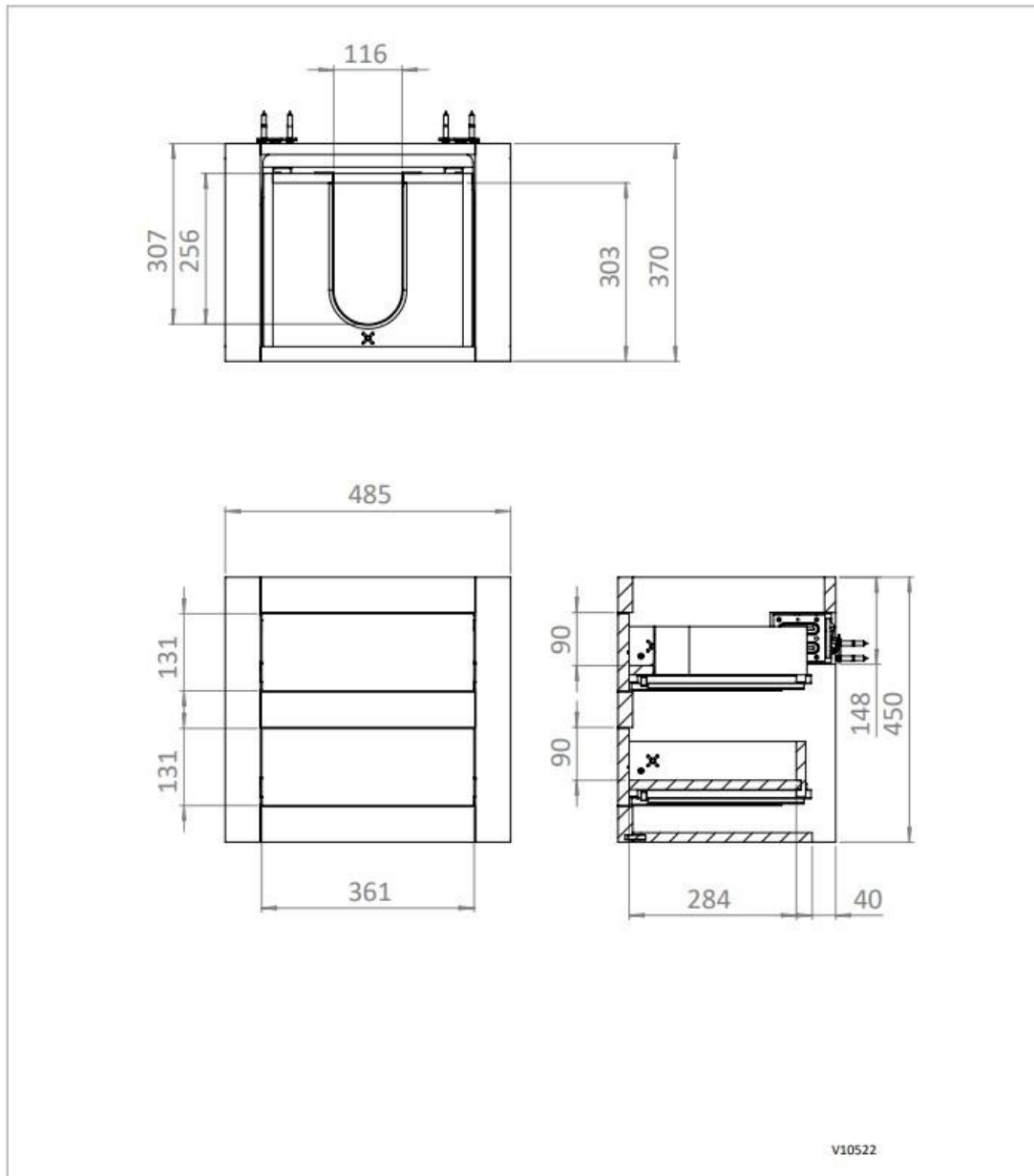
DESCRIPTION  
Basin Unit 485mm Storm Grey

COLOUR	Storm Grey
COLOUR CODE/ REFERENCE	NCS S 3502-Y
MATERIAL	16 and 18mm MDF Solvent Free Acrylic Lacquer
STANDARDS	EN 13986 EN 14749
INSTALLATION TYPE	Floor Standing with Legs or Wall Hung
DRAWER BOX	Self Coloured to Carcass Concealed Runners
DRAWER RUNNERS	Emuca Silver - Soft Close, Pull to Open
DRAWER EXTENSION	Full Extension
DRAWER ADJUSTMENT	3 Way
DRAWER CAPACITY	30kg
WALL HANGERS	ITALIANA FERRAMENTA Libra 11 With Safety Lock - Factory Fitted Load Capacity 200kg Per Pair On A Solid Wall 3 Way Adjustment
ADJUSTABLE FEET	Yes
WARRANTY	10 Years

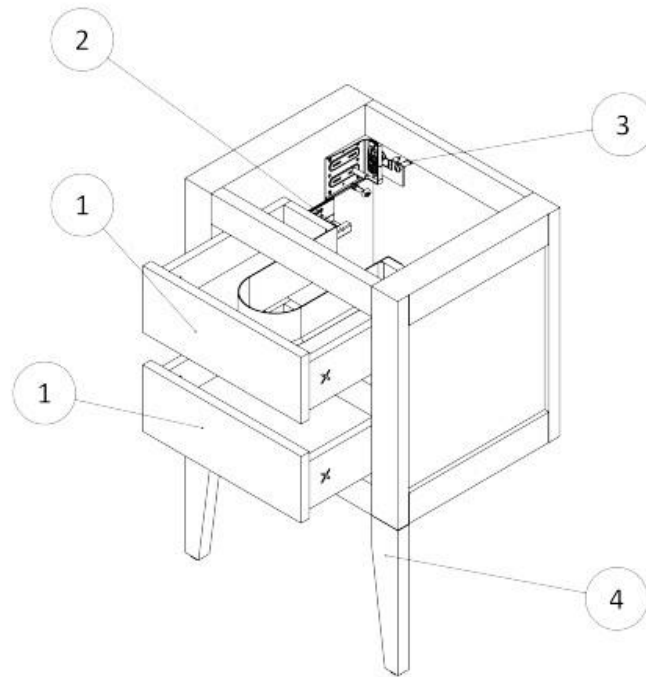
## TECHNICAL DIMENSIONS

Dimensions in mm unless otherwise specified.

Tolerances (per material type) apply.



## SPARES DIAGRAM



NUMBER	PART CODE	DESCRIPTION
1	DF_CV4850WG	Canvass Drawer Front - Gloss White
	DF_CV4850IB	Canvass Drawer Front - Indigo Blue
	DF_CV4850SG	Canvass Drawer Front - Storm Grey
	DF_CV4850SGR	Canvass Drawer Front - Sage Green
2	RUNNERSCANVASS	Set of Drawer Runners x2 Canvass Depth 370mm
3	WBRACKETSCANVASS	Wall Brackets x2 Canvass
4	LEGISNTALL_CANVASS	Canvass Leg Install kit

## PRODUCT DATA SHEET

crosswater<sup>®</sup>



PRODUCT CODE  
FWT495CM

RANGE  
FURNITURE WORKTOP

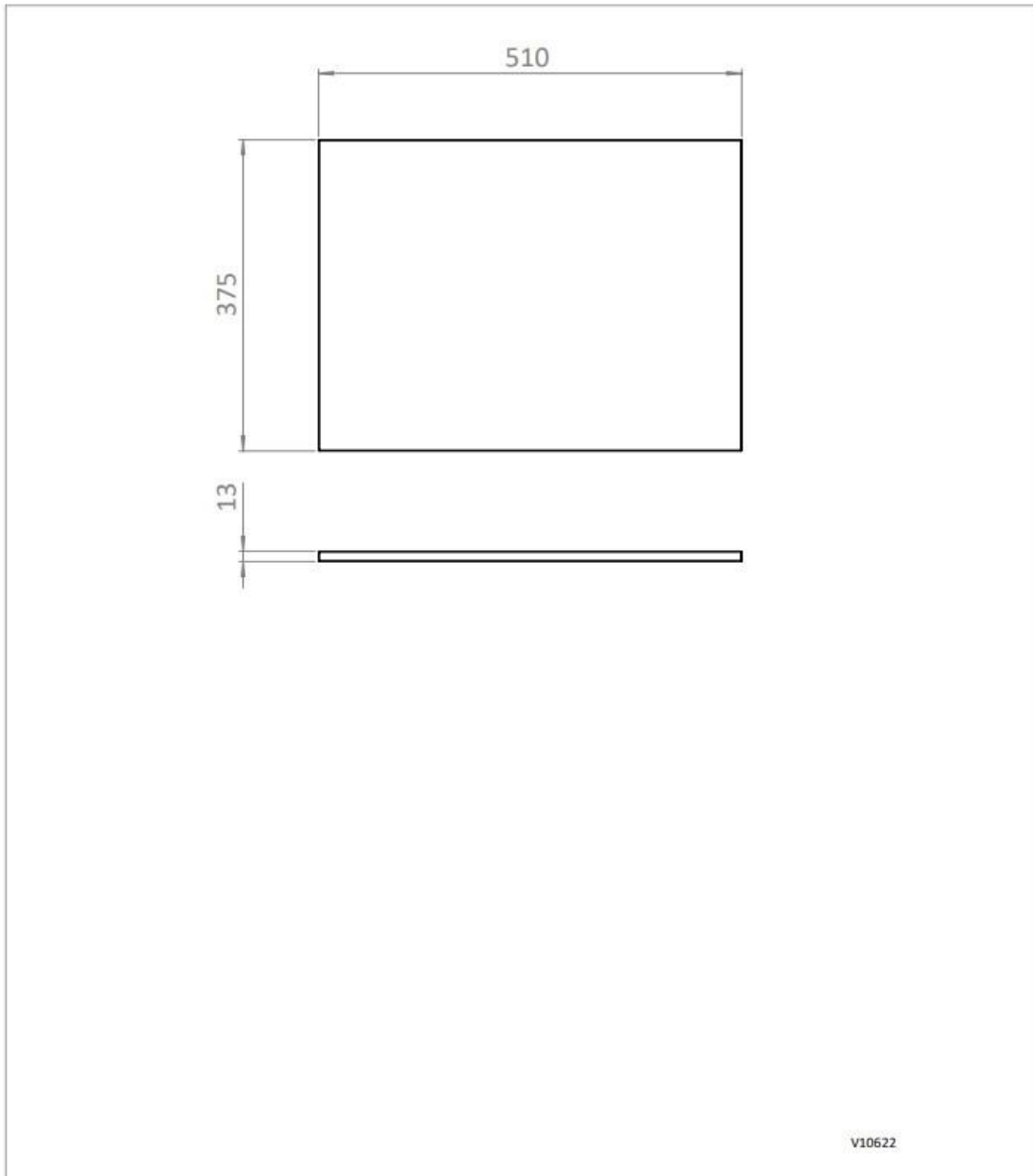
DESCRIPTION  
Worktop Cararra Marble 510mm x  
12.5mm

COLOUR	Cararra
MATERIAL	Modified Acrylic
STANDARDS	FIRA Gold Award
INSTALLATION TYPE	Furniture - Mounted
WARRANTY	10 Years

## TECHNICAL DIMENSIONS

Dimensions in mm unless otherwise specified.

Tolerances (per material type) apply.



## PRODUCT DATA SHEET

crosswater<sup>x</sup>



PRODUCT CODE  
CV6000SG

RANGE  
CANVASS

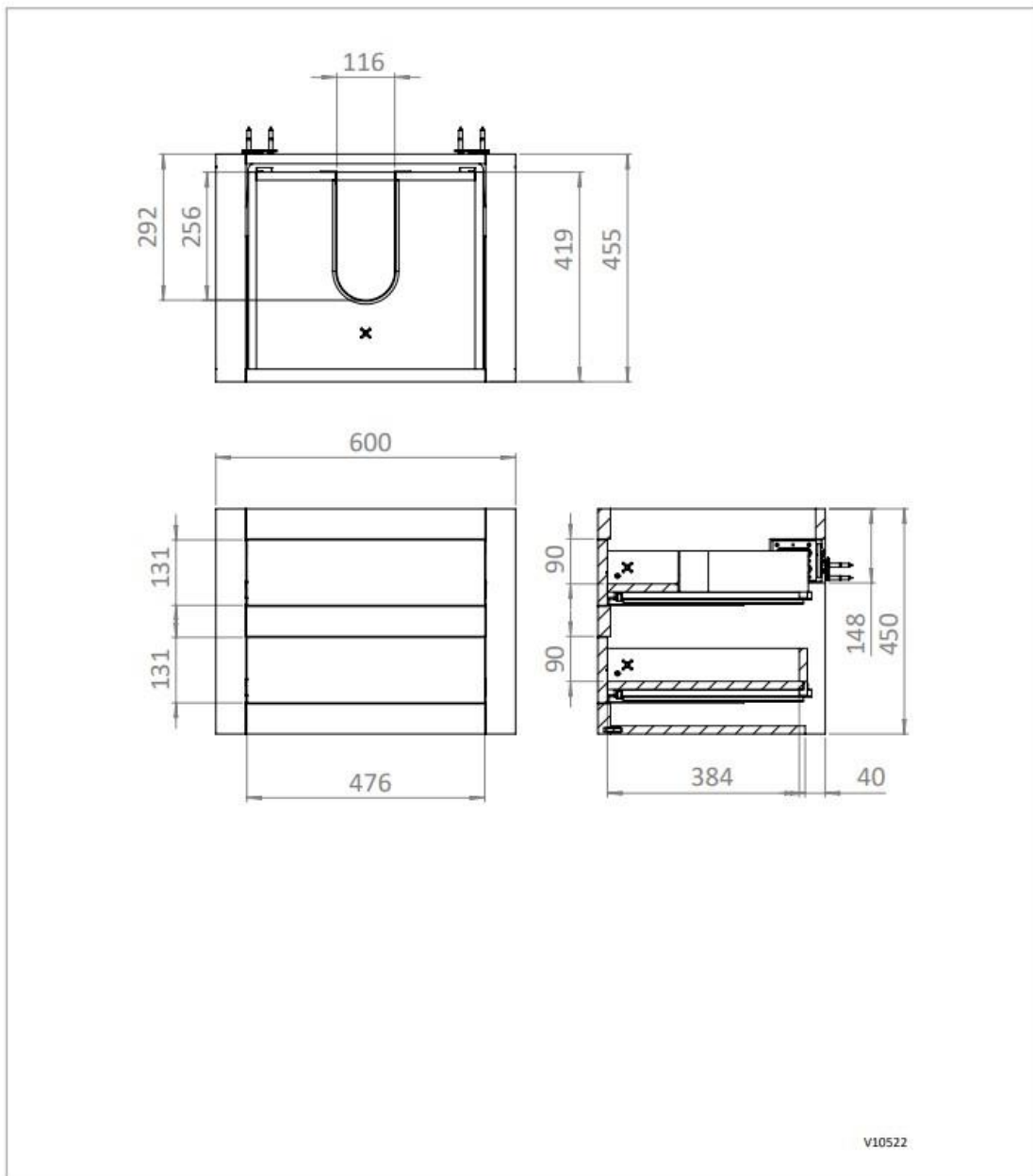
DESCRIPTION  
Basin Unit 600mm Storm Grey

COLOUR	Storm Grey
COLOUR CODE/ REFERENCE	NCS S 3502-Y
MATERIAL	16 and 18mm MDF Solvent Free Acrylic Lacquer
STANDARDS	EN 13986 EN 14749
INSTALLATION TYPE	Floor Standing with Legs or Wall Hung
DRAWER BOX	Self Coloured to Carcass Concealed Runners
DRAWER RUNNERS	Emuca Silver - Soft Close, Pull to Open
DRAWER EXTENSION	Full Extension
DRAWER ADJUSTMENT	3 Way
DRAWER CAPACITY	30kg
WALL HANGERS	ITALIANA FERRAMENTA Libra 11 With Safety Lock - Factory Fitted Load Capacity 200kg Per Pair On A Solid Wall 3 Way Adjustment
ADJUSTABLE FEET	Yes
WARRANTY	10 Years

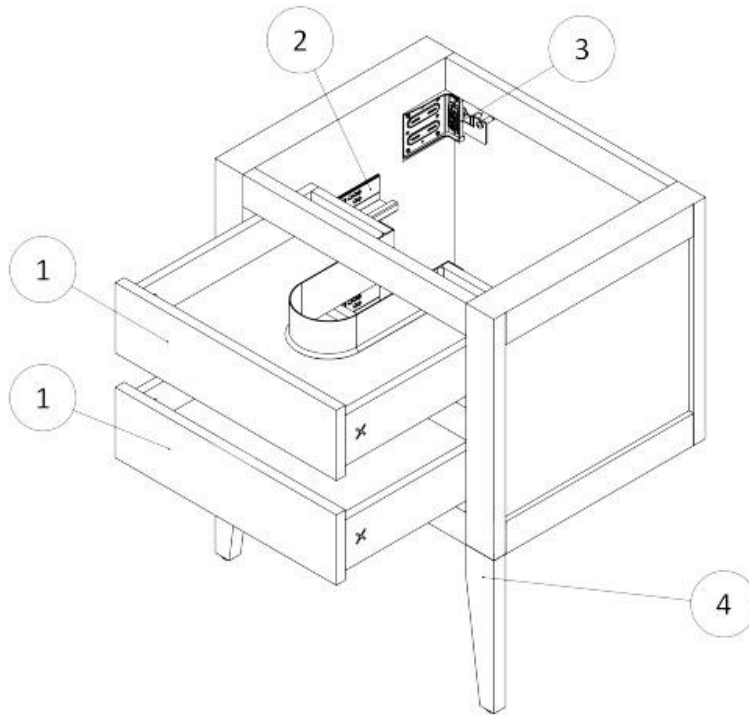
## TECHNICAL DIMENSIONS

Dimensions in mm unless otherwise specified.

Tolerances (per material type) apply.



## SPARES DIAGRAM



NUMBER	PART CODE	DESCRIPTION
1	DF_CV6000WG	Canvass Drawer Front - Gloss White
	DF_CV6000IB	Canvass Drawer Front - Indigo Blue
	DF_CV6000SG	Canvass Drawer Front - Storm Grey
	DF_CV6000SGR	Canvass Drawer Front - Sage Green
2	RUNNERSCANVASS	Set of Drawer Runners x2 Canvass Depth 455mm
3	WBRACKETSCANVASS	Wall Brackets x2 Canvass
4	LEGISNTALL_CANVASS	Canvass Leg Install kit

V10522



## PRODUCT DATA SHEET

crosswater<sup>®</sup>



PRODUCT CODE  
FWT610CM

RANGE  
FURNITURE WORKTOP

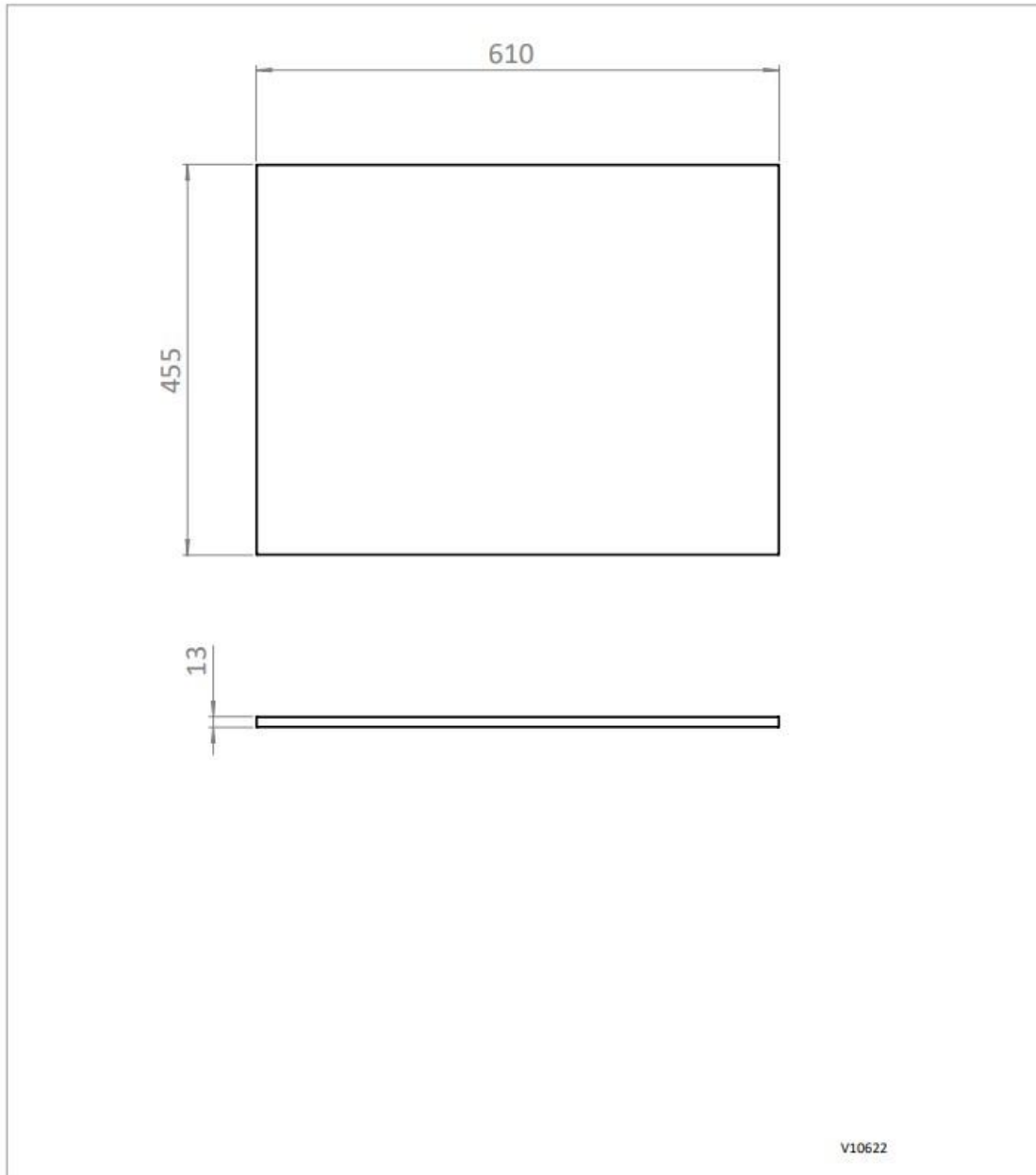
DESCRIPTION  
Worktop Cararra Marble 610mm x  
12.5mm

COLOUR	Cararra
MATERIAL	Modified Acrylic
STANDARDS	FIRA Gold Award
INSTALLATION TYPE	Furniture - Mounted
WARRANTY	10 Years

## TECHNICAL DIMENSIONS

Dimensions in mm unless otherwise specified.

Tolerances (per material type) apply.



## PRODUCT DATA SHEET

crosswater<sup>x</sup>



PRODUCT CODE  
CV7000SG

RANGE  
CANVASS

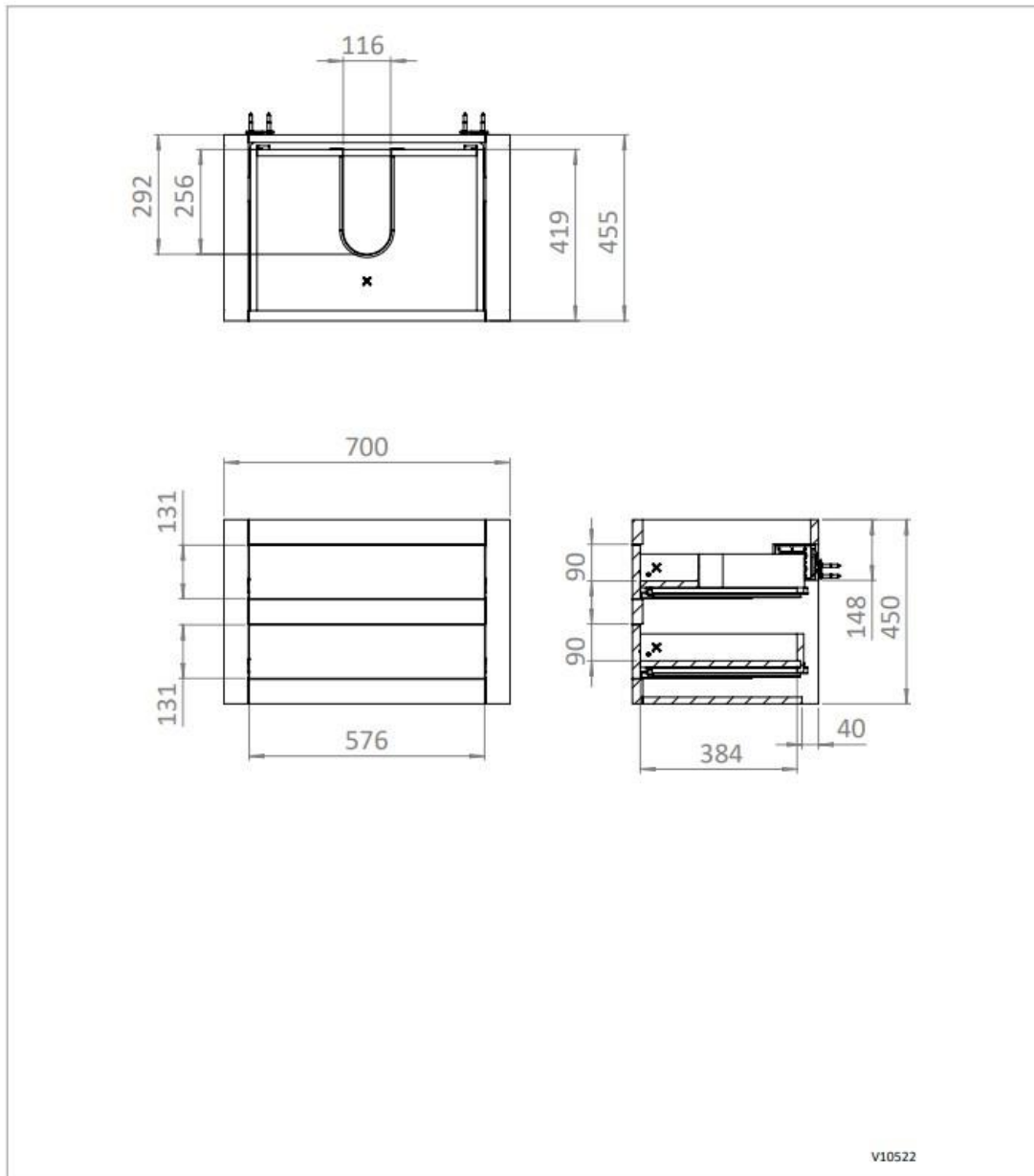
DESCRIPTION  
Basin Unit 700mm Storm Grey

COLOUR	Storm Grey
COLOUR CODE/ REFERENCE	NCS S 3502-Y
MATERIAL	16 and 18mm MDF Solvent Free Acrylic Lacquer
STANDARDS	EN 13986 EN 14749
INSTALLATION TYPE	Floor Standing with Legs or Wall Hung
DRAWER BOX	Self Coloured to Carcass Concealed Runners
DRAWER RUNNERS	Emuca Silver - Soft Close, Pull to Open
DRAWER EXTENSION	Full Extension
DRAWER ADJUSTMENT	3 Way
DRAWER CAPACITY	30kg
WALL HANGERS	ITALIANA FERRAMENTA Libra 11 With Safety Lock - Factory Fitted Load Capacity 200kg Per Pair On A Solid Wall 3 Way Adjustment
ADJUSTABLE FEET	Yes
WARRANTY	10 Years

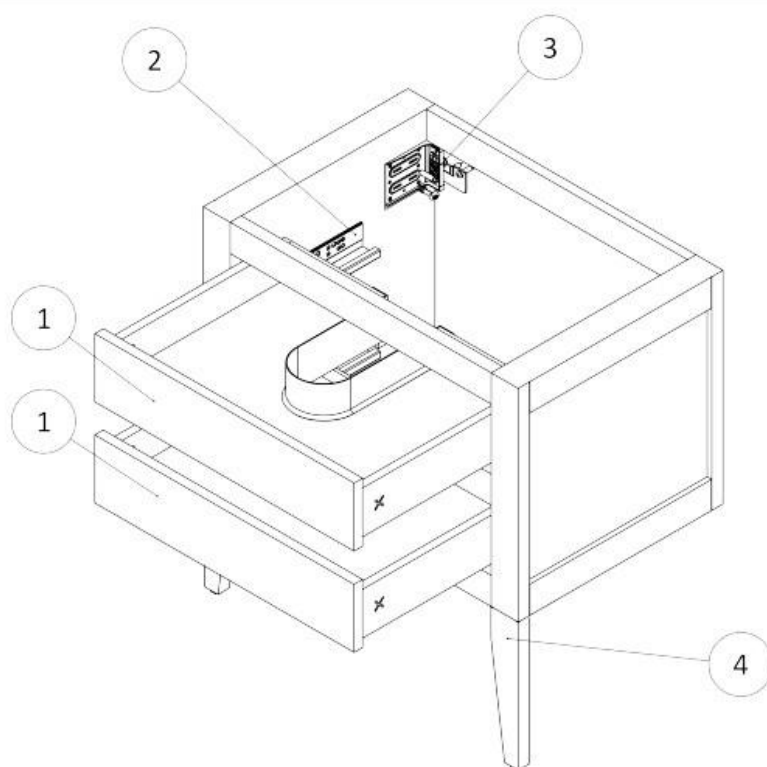
## TECHNICAL DIMENSIONS

Dimensions in mm unless otherwise specified.

Tolerances (per material type) apply.



## SPARES DIAGRAM



NUMBER	PART CODE	DESCRIPTION
1	DF_CV7000WG	Canvass Drawer Front - Gloss White
	DF_CV7000IB	Canvass Drawer Front - Indigo Blue
	DF_CV7000SG	Canvass Drawer Front - Storm Grey
	DF_CV7000SGR	Canvass Drawer Front - Sage Green
2	RUNNERSCANVASS	Set of Drawer Runners x2 Canvass Depth 370mm
3	WBRACKETSCANVASS	Wall Brackets x2 Canvass
4	LEGISNTALL_CANVASS	Canvass Leg Install kit

## PRODUCT DATA SHEET

crosswater<sup>x</sup>



PRODUCT CODE

CV9000SG

RANGE

CANVASS

DESCRIPTION

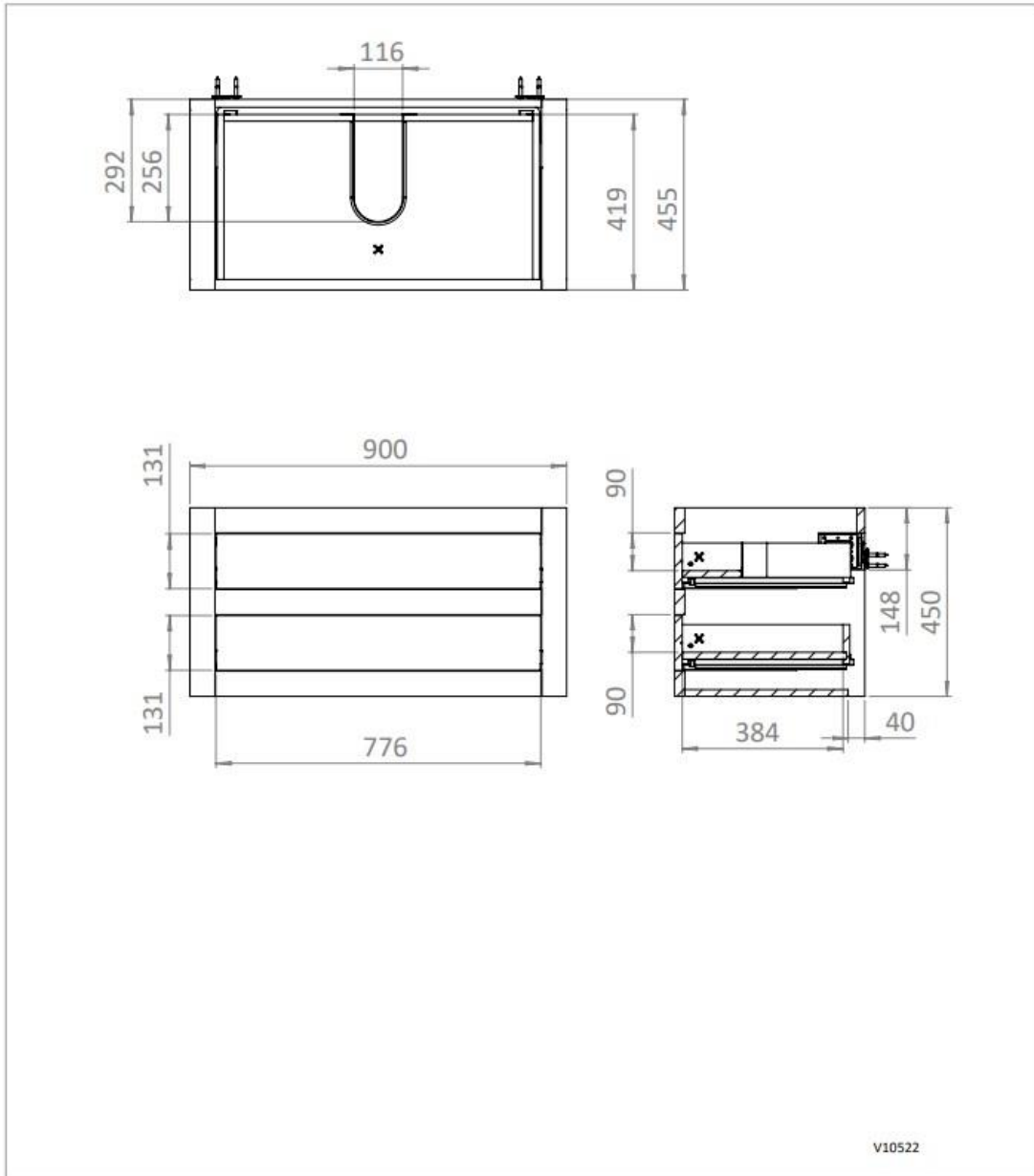
Basin Unit 900mm Storm Grey

COLOUR	Storm Grey
COLOUR CODE/ REFERENCE	NCS S 3502-Y
MATERIAL	16 and 18mm MDF Solvent Free Acrylic Lacquer
STANDARDS	EN 13986 EN 14749
INSTALLATION TYPE	Floor Standing with Legs or Wall Hung
DRAWER BOX	Self Coloured to Carcass Concealed Runners
DRAWER RUNNERS	Emuca Silver - Soft Close, Pull to Open
DRAWER EXTENSION	Full Extension
DRAWER ADJUSTMENT	3 Way
DRAWER CAPACITY	30kg
WALL HANGERS	ITALIANA FERRAMENTA Libra 11 With Safety Lock - Factory Fitted Load Capacity 200kg Per Pair On A Solid Wall 3 Way Adjustment
ADJUSTABLE FEET	Yes
WARRANTY	10 Years

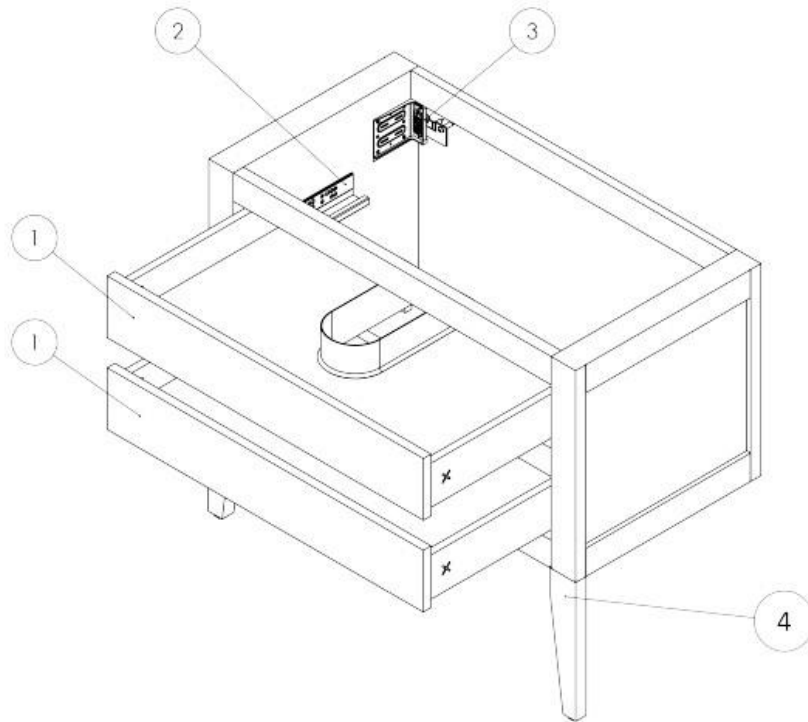
## TECHNICAL DIMENSIONS

Dimensions in mm unless otherwise specified.

Tolerances (per material type) apply.



## SPARES DIAGRAM



NUMBER	PART CODE	DESCRIPTION
1	DF_CV9000WG	Canvass Drawer Front - Gloss White
	DF_CV9000IB	Canvass Drawer Front - Indigo Blue
	DF_CV9000SG	Canvass Drawer Front - Storm Grey
	DF_CV9000SGR	Canvass Drawer Front - Sage Green
2	RUNNERSCANVASS	Set of Drawer Runners x2 Canvass Depth 370mm
3	WBRACKETSCANVASS	Wall Brackets x2 Canvass
4	LEGISNTALL_CANVASS	Canvass Leg Install kit