

SPECIFICATION SHEET

COLLECTION: ORIGINS

PRODUCT CODE: ORI-209S/A-CP



DESCRIPTION:

slimline 2 hole basin mixer
single lever, wall mounted
with water flow aerator
ceramic cartridge CAR-K35B
2 x 1/2" inlets
min-max wall mount 55-72mm
tile-to mortar guard included
wall mount drill hole diameters:
spout 40-48mm handle 45-48mm
minimum operating pressure 0.2 bar LP

FINISH:

Chrome

FLOW REGULATOR:

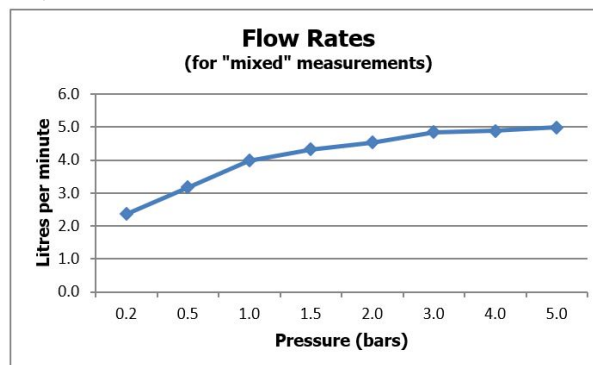
5 l/m flow regulator fitted as standard

MINIMUM OPERATING PRESSURE:

0.2 bar LP

FLOW RATE AT 3.0 BAR FLOW PRESSURE:

4.9 l/m



tel: 01934 744466
email: sales@vado.com
www.vado.com

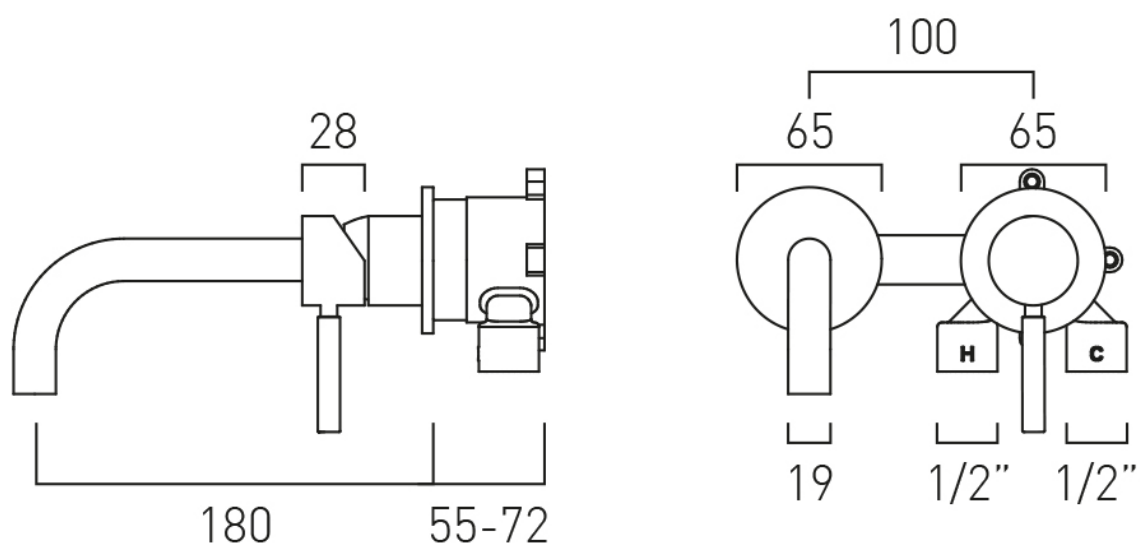
where inspiration flows
taps | showering | accessories



TECHNICAL DRAWING

COLLECTION: ORIGINS

PRODUCT CODE: ORI-209S/A-CP



tel: 01934 744466
email: sales@vado.com
www.vado.com

where inspiration flows
taps | showering | accessories

