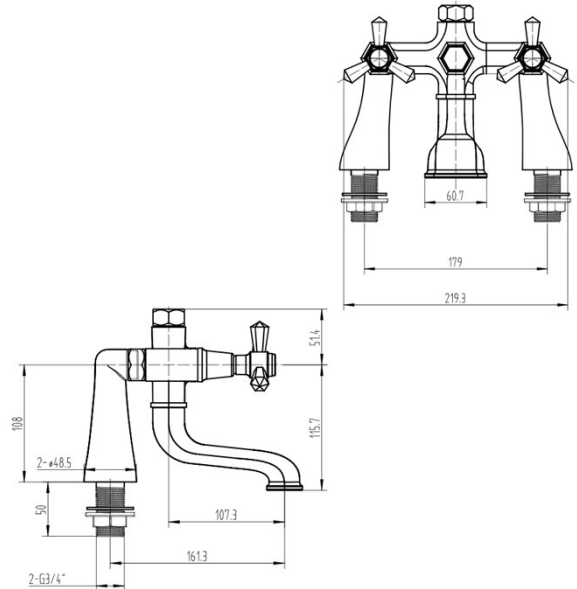


WASHINGTON TAPS
Bath Filler | 2TH

RAK
CERAMICS



Dimensions: 219.3w x 161.3d x 167.1 mm

Colour: CHROME

Code: RAKWTN3004

Pressures: 0.5 BAR – 6.0 BAR

Warranty: 15 YEARS

Weight: 3.85 KG

Dimensions: All Dimensions in mm tolerance $\pm 5\%$ for below 200mm and $\pm 3\%$ for above 200mm.
Note: Due to a continuing development programme to improve design and performance the manufacturer reserves all rights to vary specifications without prior information.
Please note accessories are for photographic use only.