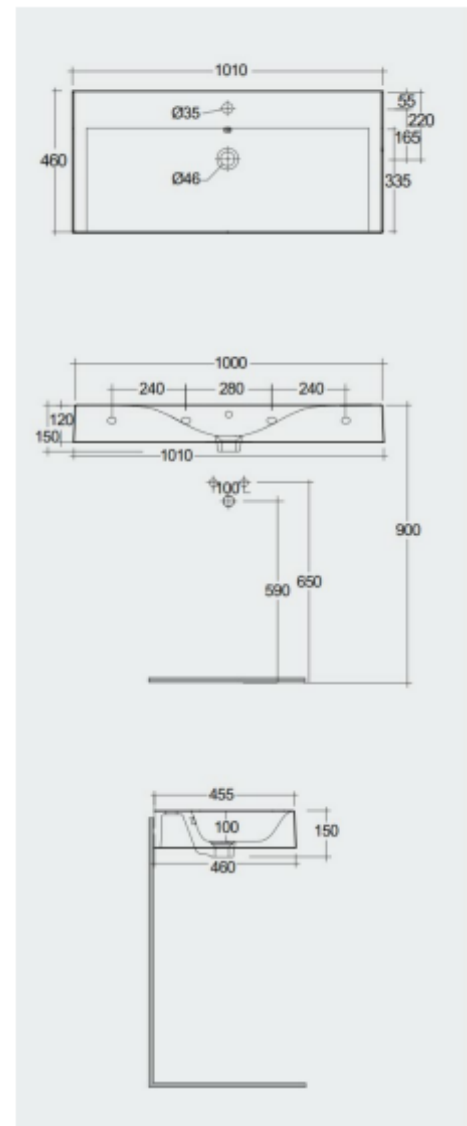


RAK-DES - DESWB10101AWHA

Wash basin | Wall Hung

RAK
CERAMICS



Technical specifications

Dimensions:	1010 x 460 mm
Weight:	31 Kg
Color:	Alpine White
Shape of basin:	Rectangle
Overflow hole:	yes
Suites:	RAK-DES RAK-JOY UNO

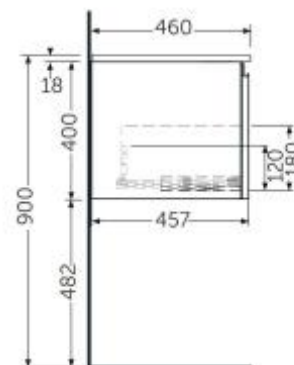
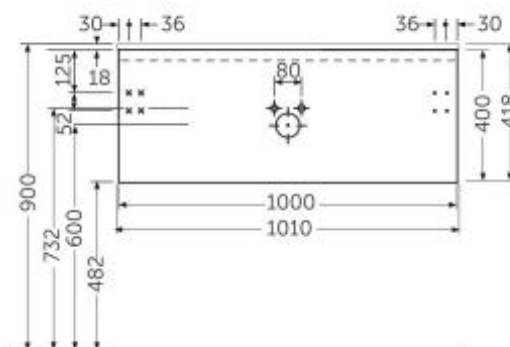
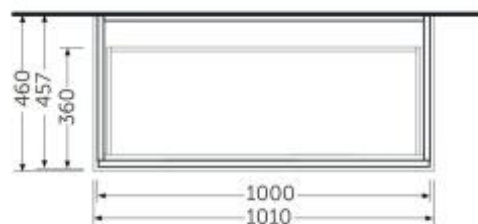
Code	Name
DESWB10101AWHA	RAK-DES WALL HUNG WASH BASIN ALPINE WHITE 101 CM
DESWB10100AWHA	RAK-DES WALL HUNG WASH BASIN ALPINE WHITE 101 CM W/O TAP HOLE

Dimensions: All dimensions in mm. Tolerance of vitreous china & fireclay items: $\pm 5\%$ for below 200mm and $\pm 3\%$ for above 200mm; for all other items tolerance $\pm 1\%$. Note: Due to a continuing development program to improve design and performance, the manufacturer reserves all rights to vary specifications without prior information. Please note accessories are for photographic use only.

RAK-JOY UNO - UNOWH100PWH

Wall Hung Vanity Unit, Pure White

RAK
CERAMICS



Technical specifications

Dimensions: 1010 x 418 mm

Weight: 25.5 Kg

Color: Pure White

Suites: [RAK-JOY UNO](#)

Code Name

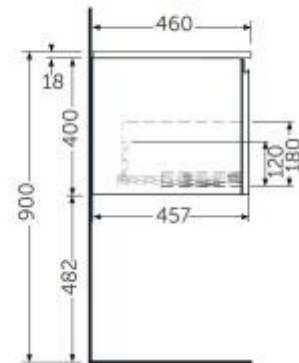
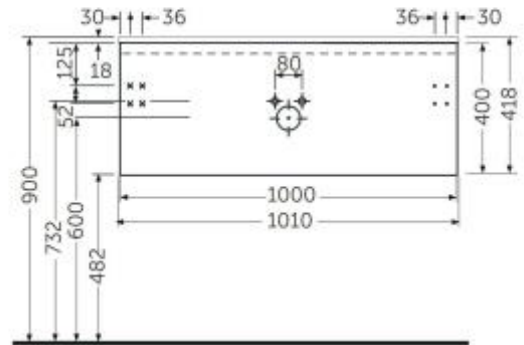
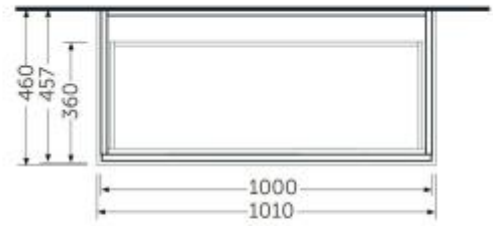
UNOWH100PWH RAK-JOY UNO WALL HUNG VANITY UNITS PURE WHITE 100 CM

Dimensions: All dimensions in mm. Tolerance of vitreous china & fireclay items: $\pm 5\%$ for below 200mm and $\pm 3\%$ for above 200mm; for all other items tolerance $\pm 1\%$. Note: Due to a continuing development program to improve design and performance, the manufacturer reserves all rights to vary specifications without prior information. Please note accessories are for photographic use only.

RAK-JOY UNO - UNOWH100EGY

Wall Hung Vanity Unit, Grey Elm

RAK
CERAMICS



Technical specifications

Dimensions:	1010 x 418 mm
Weight:	25.5 Kg
Color:	Grey Elm
Suites:	RAK-JOY UNO

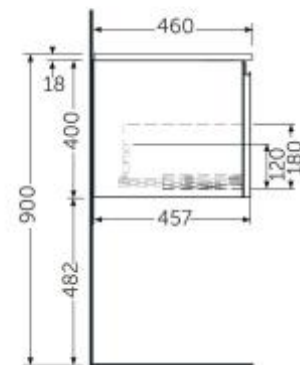
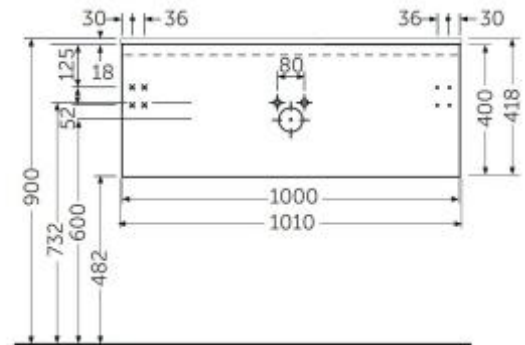
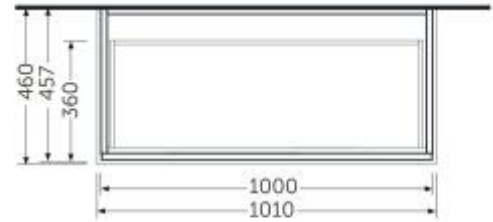
Code	Name
UNOWH100EGY	RAK-JOY UNO WALL HUNG VANITY UNITS GREY ELM 100 CM

Dimensions: All dimensions in mm. Tolerance of vitreous china & fireclay items: $\pm 5\%$ for below 200mm and $\pm 3\%$ for above 200mm; for all other items tolerance $\pm 1\%$. Note: Due to a continuing development program to improve design and performance, the manufacturer reserves all rights to vary specifications without prior information. Please note accessories are for photographic use only.

RAK-JOY UNO - UNOWH100SOK

Wall Hung Vanity Unit, Scandinavian Oak

RAK
CERAMICS



Technical specifications

Dimensions: 1010 x 418 mm

Weight: 25.5 Kg

Color: Scandinavian Oak

Suites: [RAK-JOY UNO](#)

Code **Name**

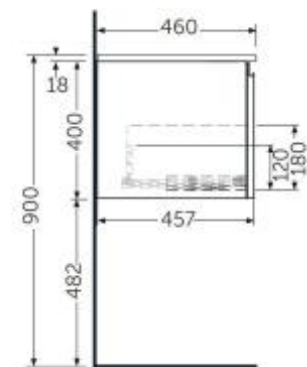
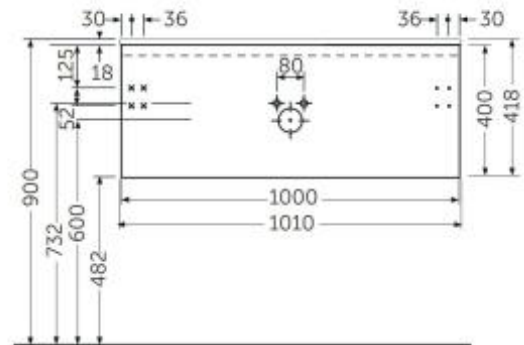
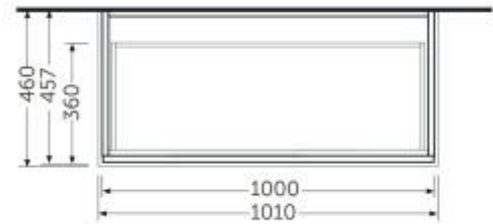
UNOWH100SOK RAK-JOY UNO WALL HUNG VANITY UNITS SCANDINAVIAN OAK
100 CM

Dimensions: All dimensions in mm. Tolerance of vitreous china & fireclay items: $\pm 5\%$ for below 200mm and $\pm 3\%$ for above 200mm; for all other items tolerance $\pm 1\%$. Note: Due to a continuing development program to improve design and performance, the manufacturer reserves all rights to vary specifications without prior information. Please note accessories are for photographic use only.

RAK-JOY UNO - UNOWH100UGY

Wall Hung Vanity Unit, Urban Grey

RAK
CERAMICS



Technical specifications

Dimensions: 1010 x 418 mm

Weight: 25.5 Kg

Color: Urban Grey

Suites: [RAK-JOY UNO](#)

Code Name

UNOWH100UGY RAK-JOY UNO WALL HUNG VANITY UNITS URBAN GREY 100 CM

Dimensions: All dimensions in mm. Tolerance of vitreous china & fireclay items: $\pm 5\%$ for below 200mm and $\pm 3\%$ for above 200mm; for all other items tolerance $\pm 1\%$. Note: Due to a continuing development program to improve design and performance, the manufacturer reserves all rights to vary specifications without prior information. Please note accessories are for photographic use only.

RAK-JOY UNO - UNOWH100MOK

Wall Hung Vanity Unit, MOKA WALNUT

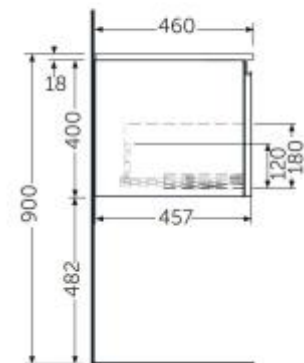
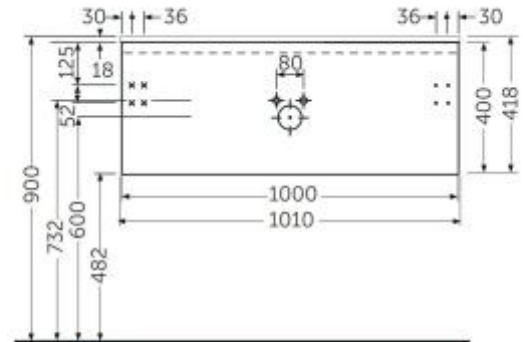
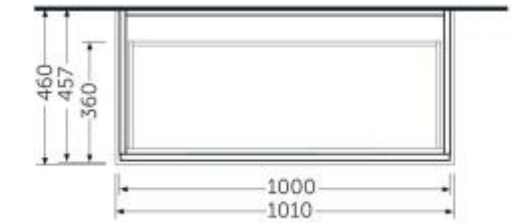
RAK
CERAMICS



Technical specifications

Dimensions:	1010 x 418 mm
Weight:	25.5 Kg
Color:	MOKA WALNUT
Suites:	RAK-JOY UNO

Code	Name
UNOWH100MOK	RAK-JOY UNO WALL HUNG VANITY UNITS MOKA 100 CM



Dimensions: All dimensions in mm. Tolerance of vitreous china & fireclay items: $\pm 5\%$ for below 200mm and $\pm 3\%$ for above 200mm; for all other items tolerance $\pm 1\%$. Note: Due to a continuing development program to improve design and performance, the manufacturer reserves all rights to vary specifications without prior information. Please note accessories are for photographic use only.