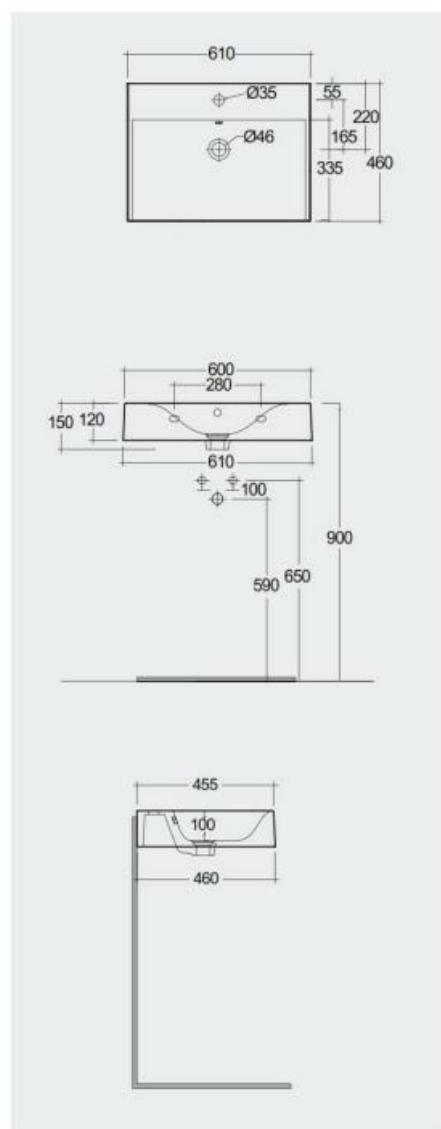


RAK-DES - DESWB06101AWHA

Wash basin | Wall Hung

RAK
CERAMICS



Technical specifications

Dimensions: 610 x 460 mm

Weight: 20 Kg

Color: Alpine White

Shape of basin: Rectangle

Overflow hole: yes

Suites: [RAK-DES](#)
[RAK-JOY UNO](#)

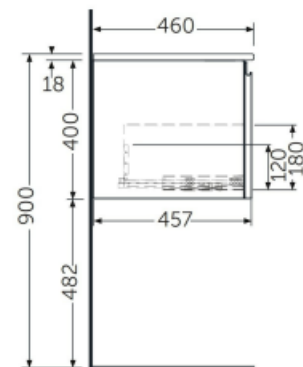
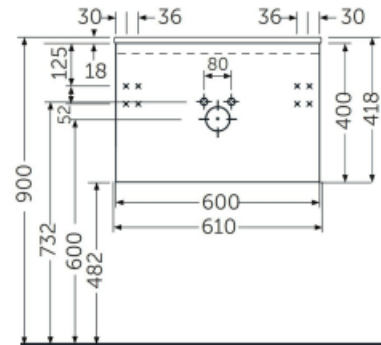
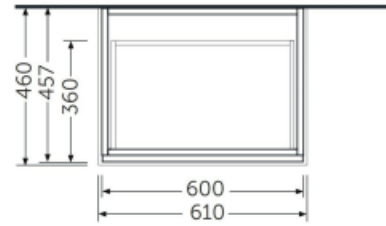
Code	Name
DESWB06101AWHA	RAK-DES WALL HUNG WASH BASIN ALPINE WHITE 61 CM
DESWB06100AWHA	RAK-DES WALL HUNG WASH BASIN ALPINE WHITE 61 CM W/O TAP HOLE

Dimensions: All dimensions in mm. Tolerance of vitreous china & fireclay items: $\pm 5\%$ for below 200mm and $\pm 3\%$ for above 200mm; for all other items tolerance $\pm 1\%$. Note: Due to a continuing development program to improve design and performance, the manufacturer reserves all rights to vary specifications without prior information. Please note accessories are for photographic use only.

RAK-JOY UNO - UNOWH060UGY

Wall Hung Vanity Unit, Urban Grey

RAK
CERAMICS



Technical specifications

Dimensions: 610 x 418 mm

Weight: 16 Kg

Color: Urban Grey

Suites: [RAK-JOY UNO](#)

Code Name

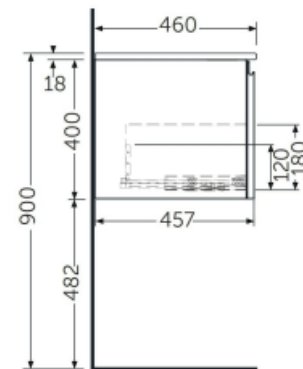
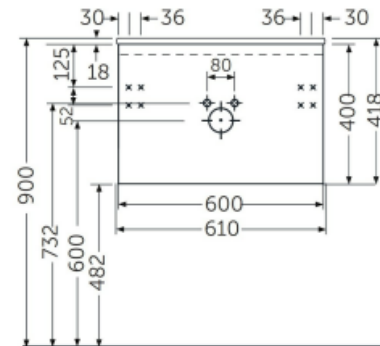
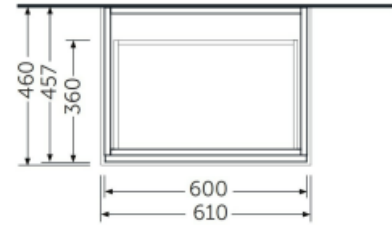
UNOWH060UGY RAK-JOY UNO WALL HUNG VANITY UNITS URBAN GREY 60 CM

Dimensions: All dimensions in mm. Tolerance of vitreous china & fireclay items: $\pm 5\%$ for below 200mm and $\pm 3\%$ for above 200mm; for all other items tolerance $\pm 1\%$. Note: Due to a continuing development program to improve design and performance, the manufacturer reserves all rights to vary specifications without prior information. Please note accessories are for photographic use only.

RAK-JOY UNO - UNOWH060PWH

Wall Hung Vanity Unit, Pure White

RAK
CERAMICS



Technical specifications

Dimensions: 610 x 418 mm

Weight: 16 Kg

Color: Pure White

Suites: [RAK-JOY UNO](#)

Code Name

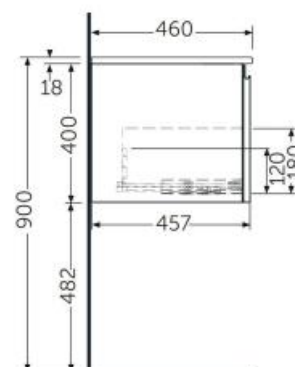
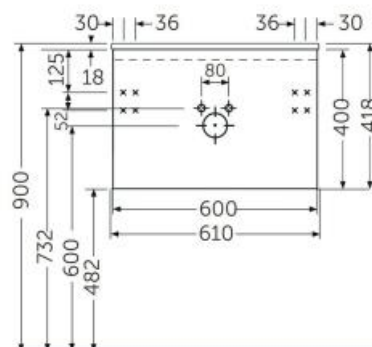
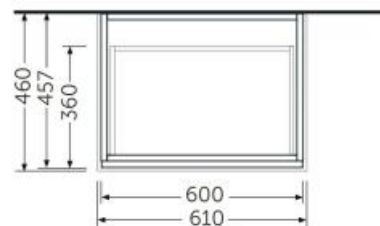
UNOWH060PWH RAK-JOY UNO WALL HUNG VANITY UNITS PURE WHITE 60 CM

Dimensions: All dimensions in mm. Tolerance of vitreous china & fireclay items: $\pm 5\%$ for below 200mm and $\pm 3\%$ for above 200mm; for all other items tolerance $\pm 1\%$. Note: Due to a continuing development program to improve design and performance, the manufacturer reserves all rights to vary specifications without prior information. Please note accessories are for photographic use only.

RAK-JOY UNO - UNOWH060EGY

Wall Hung Vanity Unit, Grey Elm

RAK
CERAMICS



Technical specifications

Dimensions: 610 x 418 mm

Weight: 16 Kg

Color: Grey Elm

Suites: [RAK-JOY UNO](#)

Code **Name**

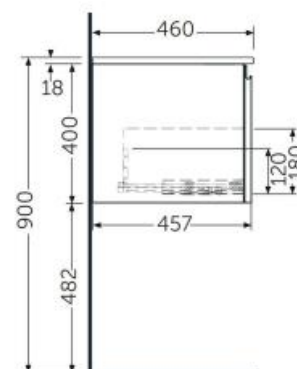
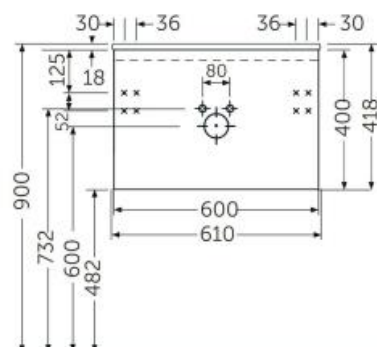
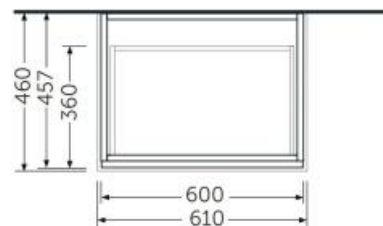
UNOWH060EGY RAK-JOY UNO WALL HUNG VANITY UNITS GREY ELM 60 CM

Dimensions: All dimensions in mm. Tolerance of vitreous china & fireclay items: $\pm 5\%$ for below 200mm and $\pm 3\%$ for above 200mm; for all other items tolerance $\pm 1\%$. Note: Due to a continuing development program to improve design and performance, the manufacturer reserves all rights to vary specifications without prior information. Please note accessories are for photographic use only.

RAK-JOY UNO - UNOWH060SOK

Wall Hung Vanity Unit, Scandinavian Oak

RAK
CERAMICS



Technical specifications

Dimensions: 610 x 418 mm

Weight: 16 Kg

Color: Scandinavian Oak

Suites: [RAK-JOY UNO](#)

Code **Name**

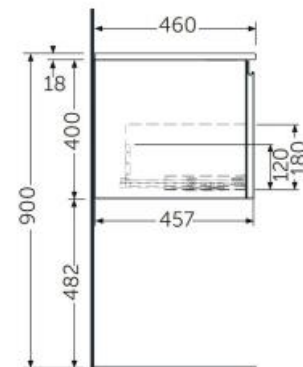
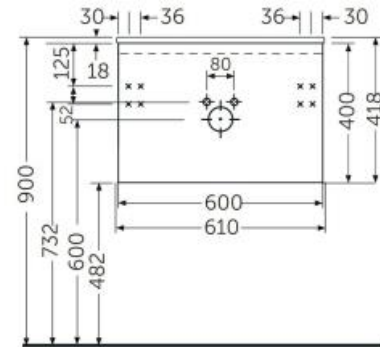
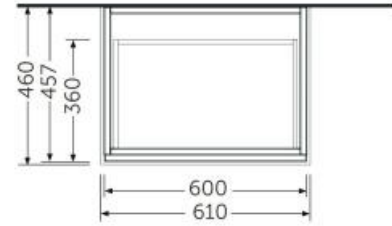
UNOWH060SOK RAK-JOY UNO WALL HUNG VANITY UNITS SCANDINAVIAN OAK
60 CM

Dimensions: All dimensions in mm. Tolerance of vitreous china & fireclay items: $\pm 5\%$ for below 200mm and $\pm 3\%$ for above 200mm; for all other items tolerance $\pm 1\%$. Note: Due to a continuing development program to improve design and performance, the manufacturer reserves all rights to vary specifications without prior information. Please note accessories are for photographic use only.

RAK-JOY UNO - UNOWH060MOK

Wall Hung Vanity Unit, MOKA WALNUT

RAK
CERAMICS



Technical specifications

Dimensions: 610 x 418 mm

Weight: 16 Kg

Color: MOKA WALNUT

Suites: [RAK-JOY UNO](#)

Code	Name
UNOWH060MOK	RAK-JOY UNO WALL HUNG VANITY UNITS MOKA 60 CM

Dimensions: All dimensions in mm. Tolerance of vitreous china & fireclay items: $\pm 5\%$ for below 200mm and $\pm 3\%$ for above 200mm; for all other items tolerance $\pm 1\%$. Note: Due to a continuing development program to improve design and performance, the manufacturer reserves all rights to vary specifications without prior information. Please note accessories are for photographic use only.