

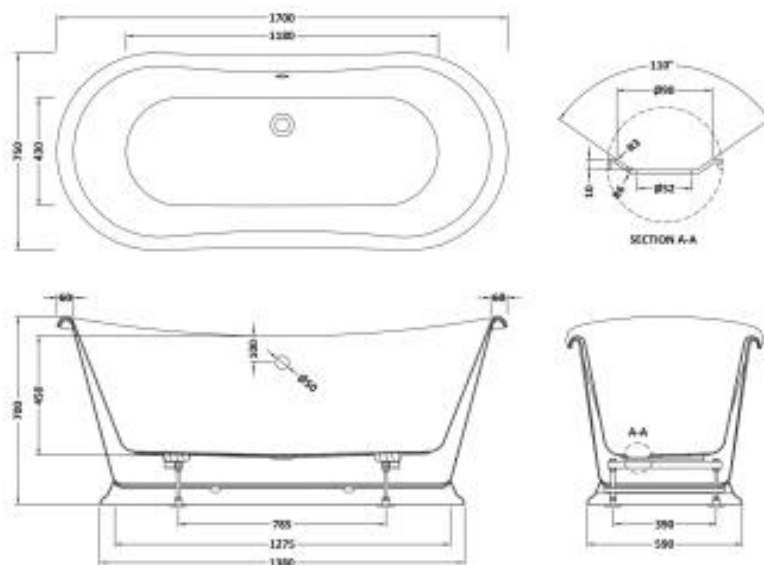
# B A Y S W A T E R

London W.2

**CODE:** BAYB117

**DESCRIPTION:** 1700 Freestanding Boat Bath

**CATEGORY:** Baths



#### PRODUCT DIMENSIONS

Length (mm)	Width (mm)	Height (mm)	Nett Wgt Kg
1700	750	700	41.5

#### PACKAGING DIMENSIONS

Length (mm)	Width (mm)	Height (mm)	Gross Wgt Kg
1860	800	1200	42

#### PACKAGING DATA

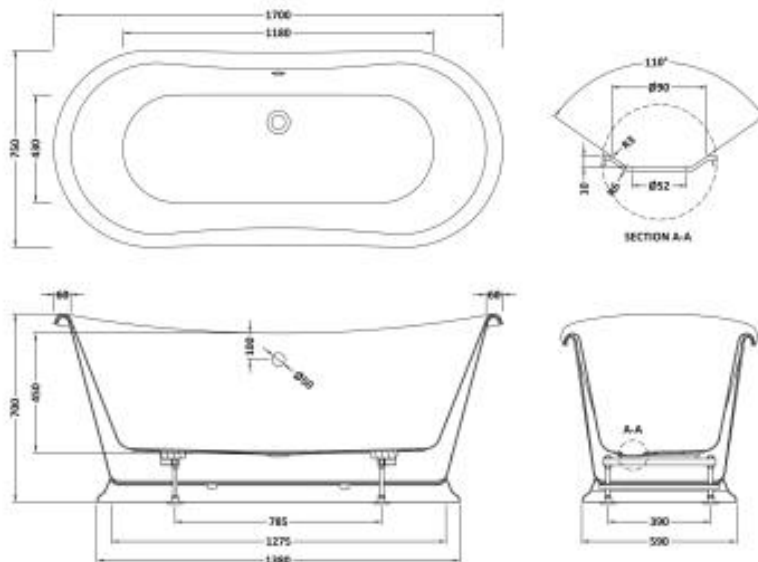
Box Colour	Polystyrene Moulded Box		
Box Qty	1	Label Colour	White Label
Label Size	100 x 50	Label Qty	2

#### OUTER BOX DIMENSIONS (If Applicable)

Length (mm)	Width (mm)	Height (mm)	Gross Wgt Kg
Barcode	5056462620916		

#### PRODUCT DETAILS

Country of Origin	Hong Kong	Certification	FSC	N/A	CE	N/A
Fitting Instruction	No	Material Colour Ref	European White			
Product Material	Acrylic	Material Thickness	20mm			
Volume (Ltr)	200L	Displaced Capacity	130L			
Leg Set Inc	Legset Included	Waste Inc	Waste Not Included			
Drilled/Undrilled	Undrilled For Taps	Includes Grips	No Grips Supplied			
Embossed	No	No of Tapholes	None			
Anti-Slip	No					

**CODE:** BAYB118**DESCRIPTION:** 1700 Freestanding Boat Bath**CATEGORY:** Baths**PRODUCT DIMENSIONS**

Length (mm)	Width (mm)	Height (mm)	Nett Wgt Kg
1700	750	700	41.5

**PACKAGING DIMENSIONS**

Length (mm)	Width (mm)	Height (mm)	Gross Wgt Kg
1860	800	1200	42

**PACKAGING DATA**

Box Colour	Polystyrene Moulded Box		
Box Qty	1	Label Colour	White Label
Label Size	100 X 50	Label Qty	2

**OUTER BOX DIMENSIONS (If Applicable)**

Length (mm)	Width (mm)	Height (mm)	Gross Wgt Kg
Barcode	5056462620923		

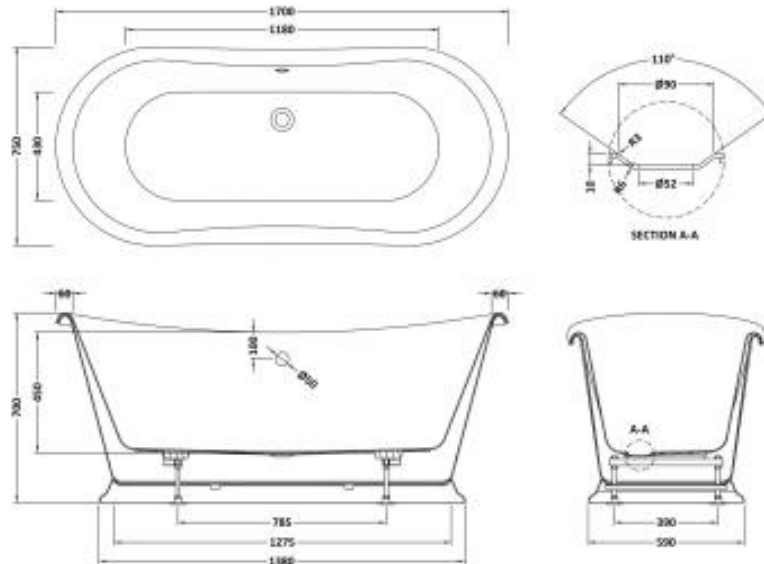
**PRODUCT DETAILS**

Country of Origin	Hong Kong	Certification	FSC	N/A	CE	N/A
Fitting Instruction	No	Material Colour Ref'	Stiffkey Blue			
Product Material	Acrylic	Material Thickness	20mm			
Volume (Ltr)	200L	Displaced Capacity	130L			
Leg Set Inc'	Legset Included	Waste Inc'	Waste Not Included			
Drilled/Undrilled	Undrilled For Taps	Includes Grips	No Grips Supplied			
Embossed	No	No of Tapholes	None			
Anti-Slip	No					

**CODE:** BAYB119

**DESCRIPTION:** 1700 Freestanding Boat Bath

**CATEGORY:** Baths



PRODUCT DIMENSIONS			
Length (mm)	Width (mm)	Height (mm)	Nett Wgt Kg
1700	750	700	41.5

PACKAGING DIMENSIONS			
Length (mm)	Width (mm)	Height (mm)	Gross Wgt Kg
1860	800	1200	42

PACKAGING DATA			
Box Colour	Polystyrene Moulded Box		
Box Qty	1	Label Colour	White Label
Label Size	100 x 50	Label Qty	2

OUTER BOX DIMENSIONS (If Applicable)			
Length (mm)	Width (mm)	Height (mm)	Gross Wgt Kg
Barcode	5056462620930		

PRODUCT DETAILS				
Country of Origin	Hong Kong	Certification	FSC	N/A
Fitting Instruction	No	Material Colour Ref'	Plummett Grey	CE
Product Material	Acrylic	Material Thickness	20mm	N/A
Volume (Ltr)	200L	Displaced Capacity	130L	
Leg Set Inc'	Legset Included	Waste Inc'	Waste Not Included	
Drilled/Undrilled	Undrilled For Taps	Includes Grips	No Grips Supplied	
Embossed	No	No of Tapholes	None	
Anti-Slip	No			