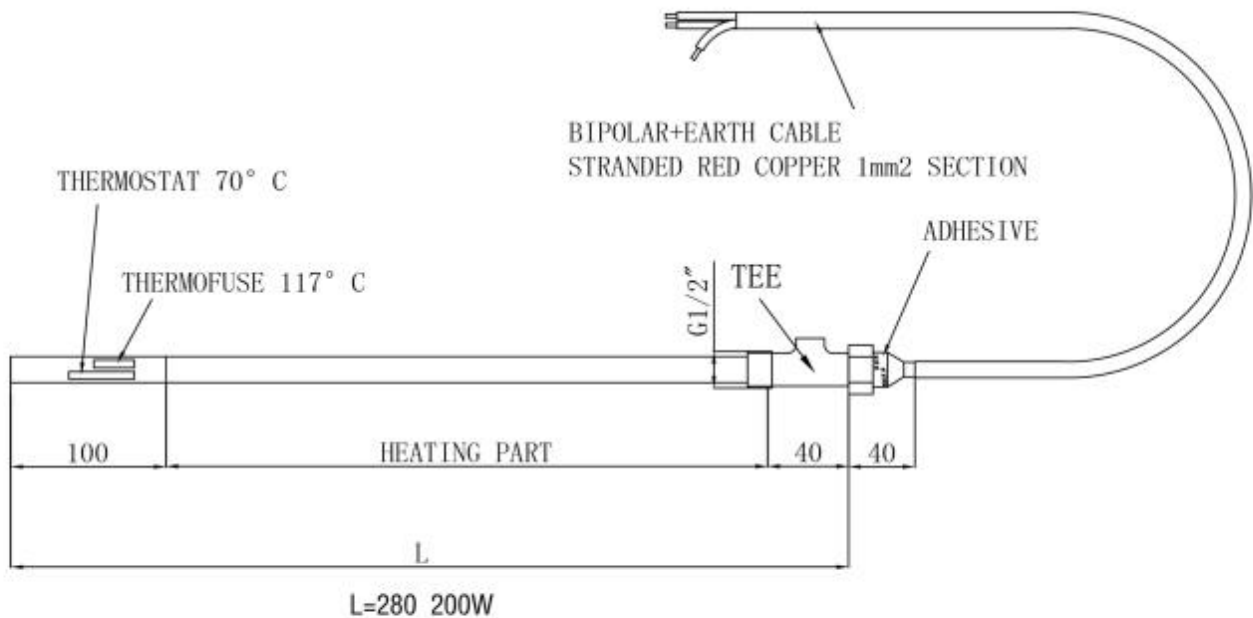




Technical Drawing

Product code: ELE200WCH, ELE200WBBR, ELE200WMB

Product range: Valves



www.jtpuk.co.uk

technical@jtpuk.co.uk

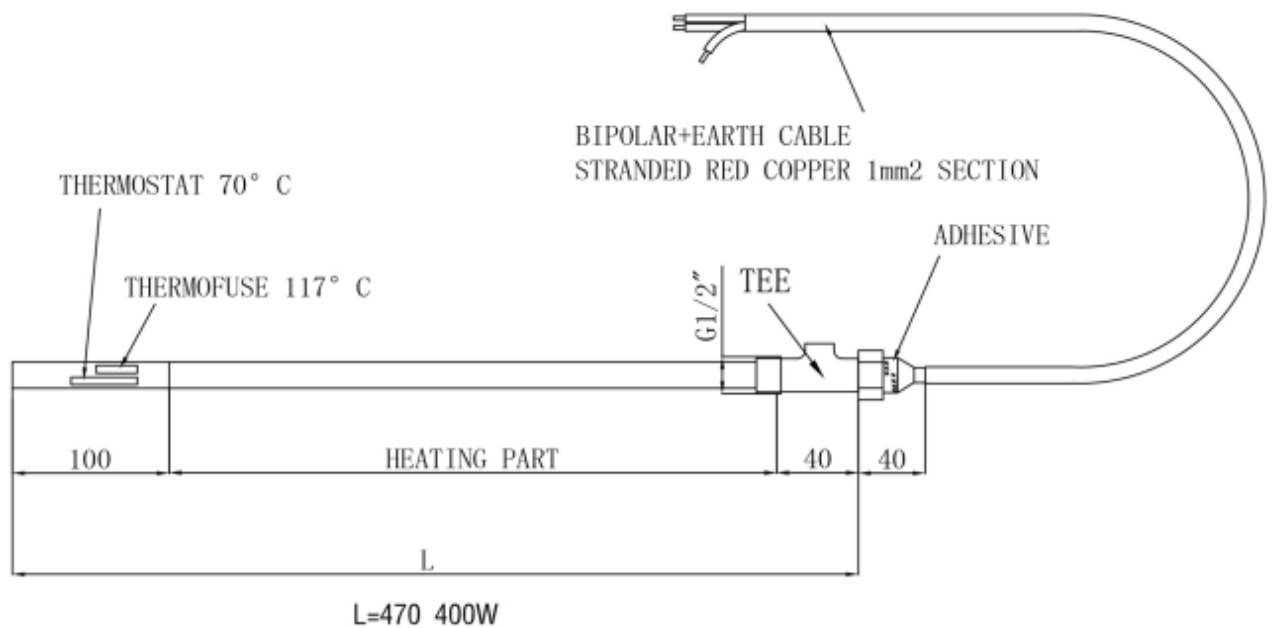
01895 442211



Technical Drawing

Product code: ELE400WCH, ELE400WBBR, ELE400WMB

Product range: Valves





Technical Drawing

Product code: ELE600WCH, ELE600WBBR, ELE600WMB

Product range: Valves

