

SPECIFICATIONS

DESCRIPTION

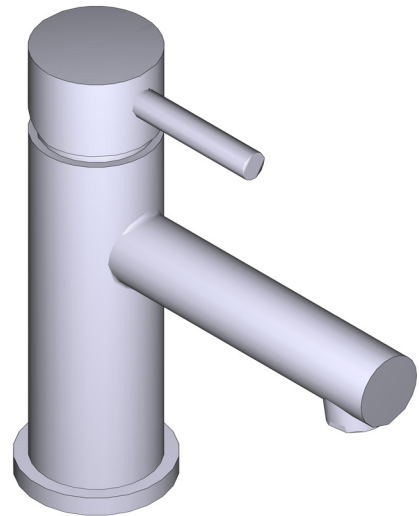
- G1/2" connection flexes
- Supplied with G3/8" adaptor
- Ceramic cartridge
- Waste kit sold separately (DB160-EM)

FLOW

- 8.3 L/min, 60psi, 4 bar

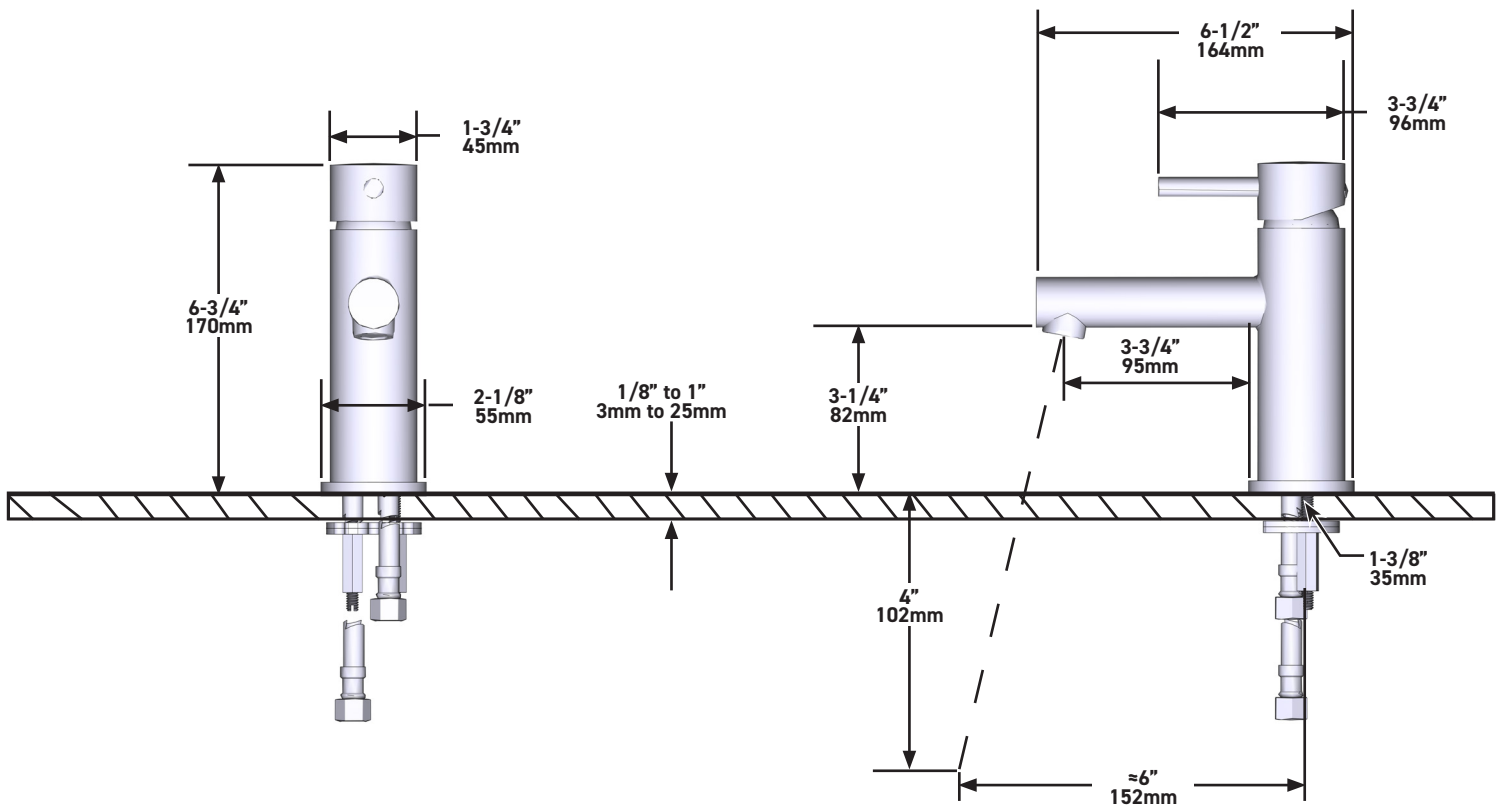
WARRANTY

- www.riobel.design



Single Lever Basin Mixer

MODELS: GS00-EM



+44 (0)1952 221 100

www.riobel.design

A DISTINCTIVE MEMBER OF THE HOUSE OF ROHL

TECHNISCHE DATEN

BESCHREIBUNG

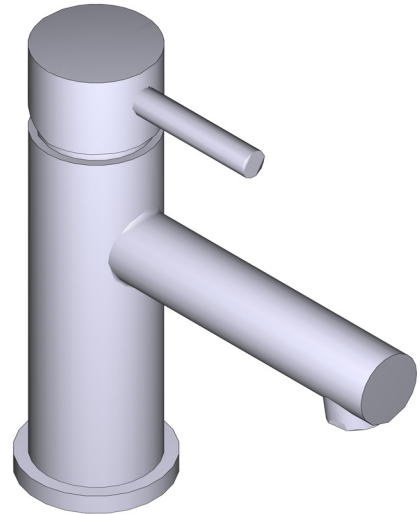
- Flexschläuche ½"
- Adapter G3/8" mitgeliefert
- Keramikkartusche
- Ablaufgarnitur muss separat erworben werden

DURCHFLUSSMENGE

- 8.3 L/min, 60psi, 4 bar

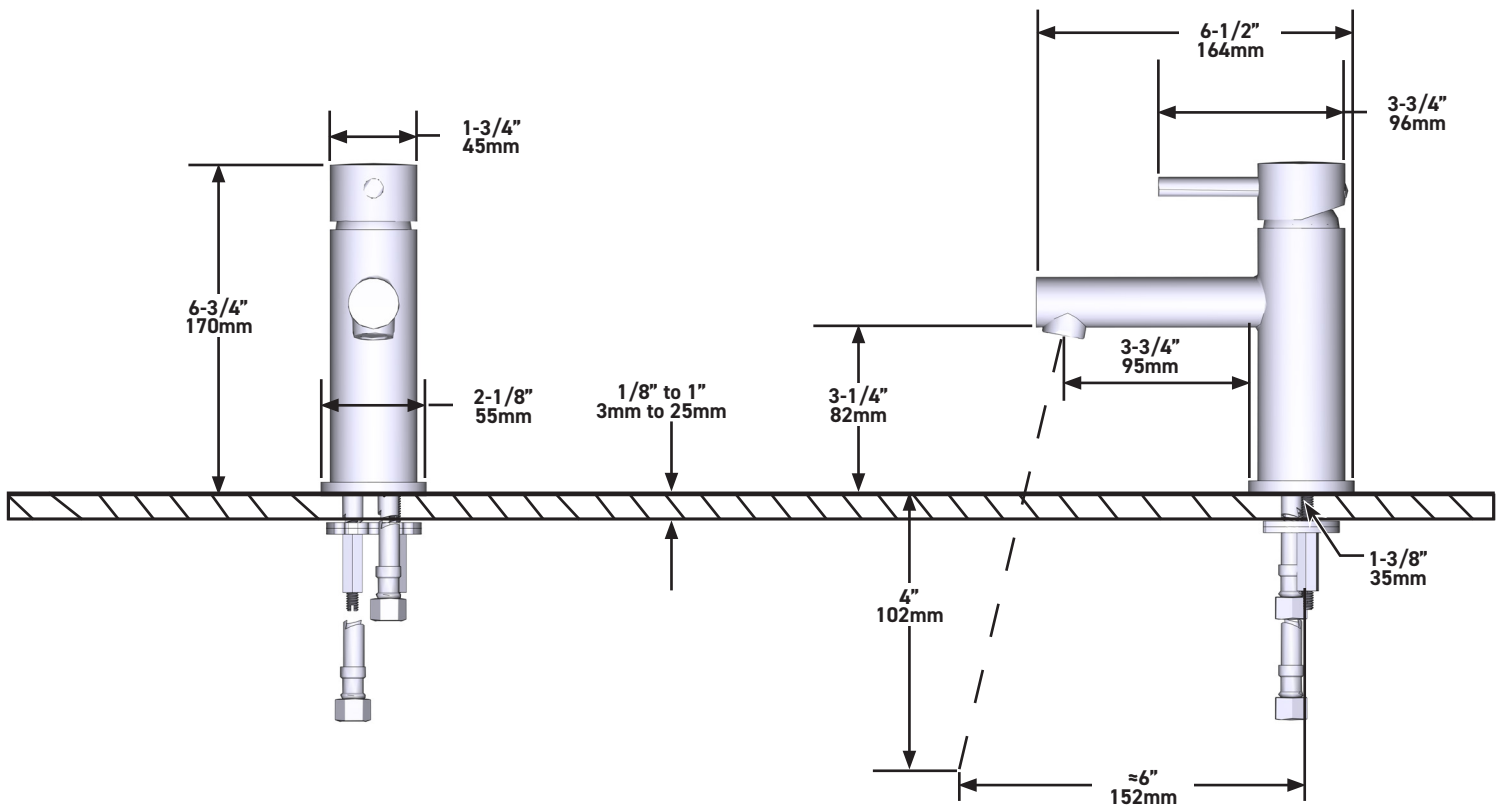
GARANTIE

- www.riobel.design



Einhand-Waschtischbatterie

MODELLE: GS00-EM



+44 (0)1952 221 100
www.riobel.design

A DISTINCTIVE MEMBER OF THE HOUSE OF ROHL

CARACTÉRISTIQUES TECHNIQUES

DESCRIPTION

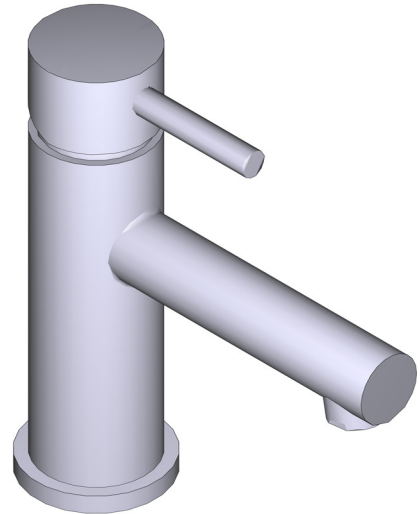
- Conexión de G1/2"
- Adaptateur G3/8" inclus
- Cartouche céramique
- Vidage vendu séparément

DÉBIT

- 8.3 L/min, 60psi, 4 bar

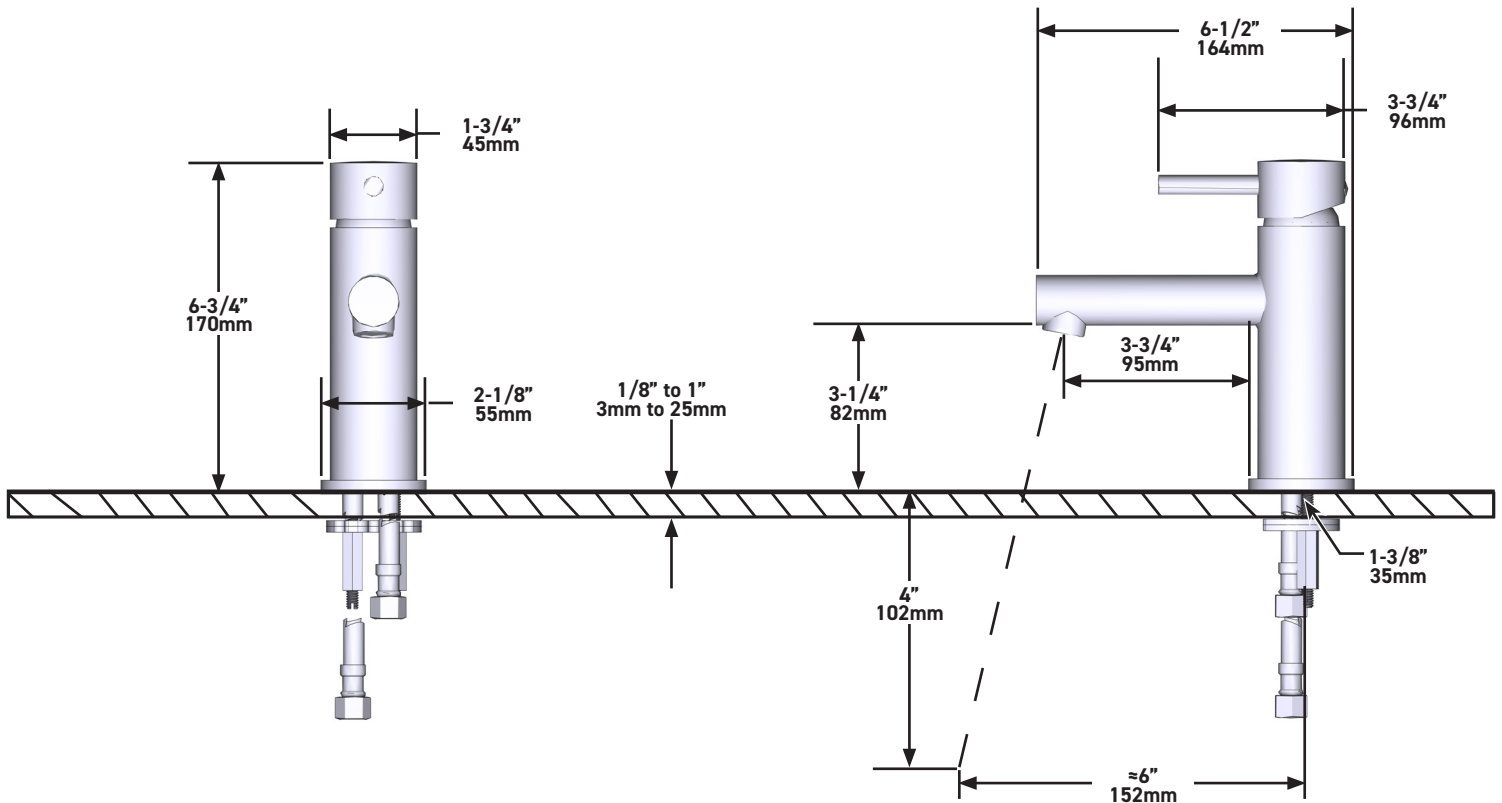
GARANTIE

- www.riobel.design



Mitigeur de lavabo

MODÈLES: GS00-EM



+44 (0)1952 221 100
www.riobel.design

A DISTINCTIVE MEMBER OF THE HOUSE OF ROHL

SPECIFICHE

DESCRIZIONE

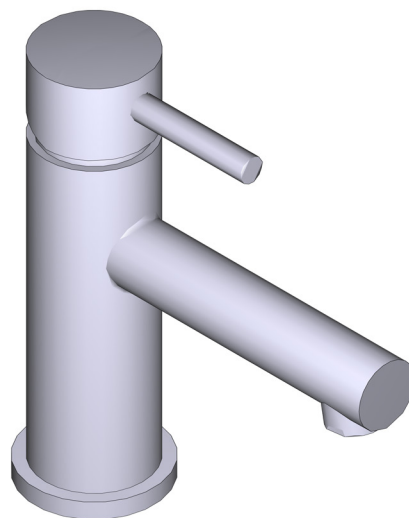
- G1/2" tubi flessibili
- Adattatore G3/8" incluso
- Cartucce a disco ceramico
- Kit piletta venduto separatamente

FLUSSO

- 8.3 L/min, 60psi, 4 bar

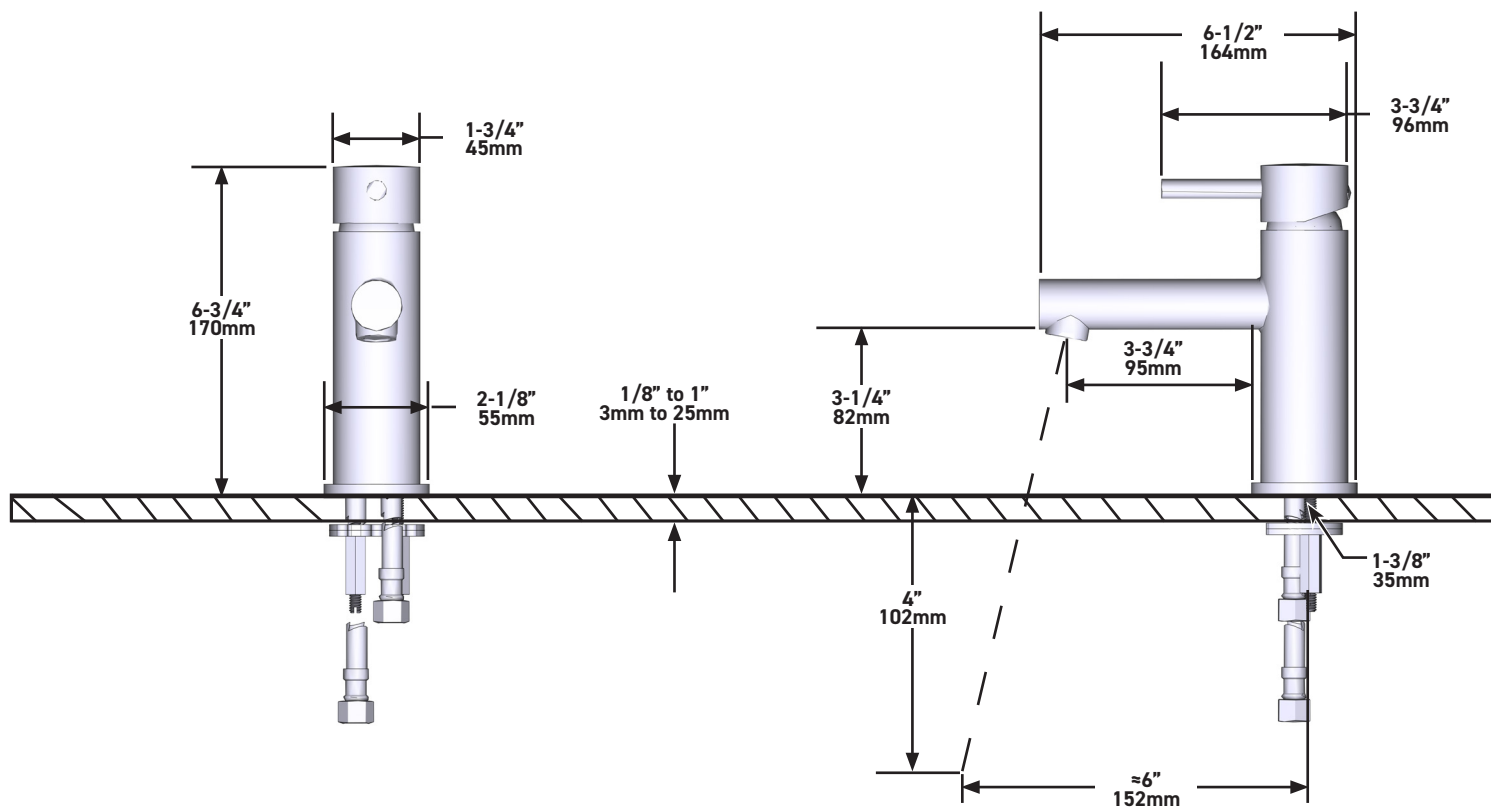
GARANZIA

- www.riobel.design



Miscelatore monocomando lavabo

MODELLI: GS00-EM



+44 (0)1952 221 100
www.riobel.design

A DISTINCTIVE MEMBER OF THE HOUSE OF ROHL

CARACTERÍSTICAS TÉCNICAS

DESCRIPCIÓN

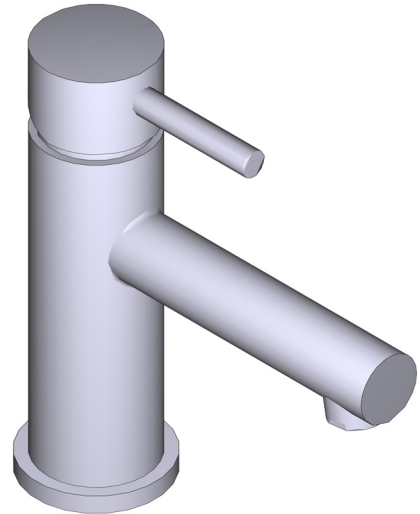
- Conexión de G1/2"
- Adaptador G3/8" incluido
- Cartucho cerámico
- El kit de desagüe se vende por separado

CAUDAL

- 8.3 L/min, 60psi, 4 bar

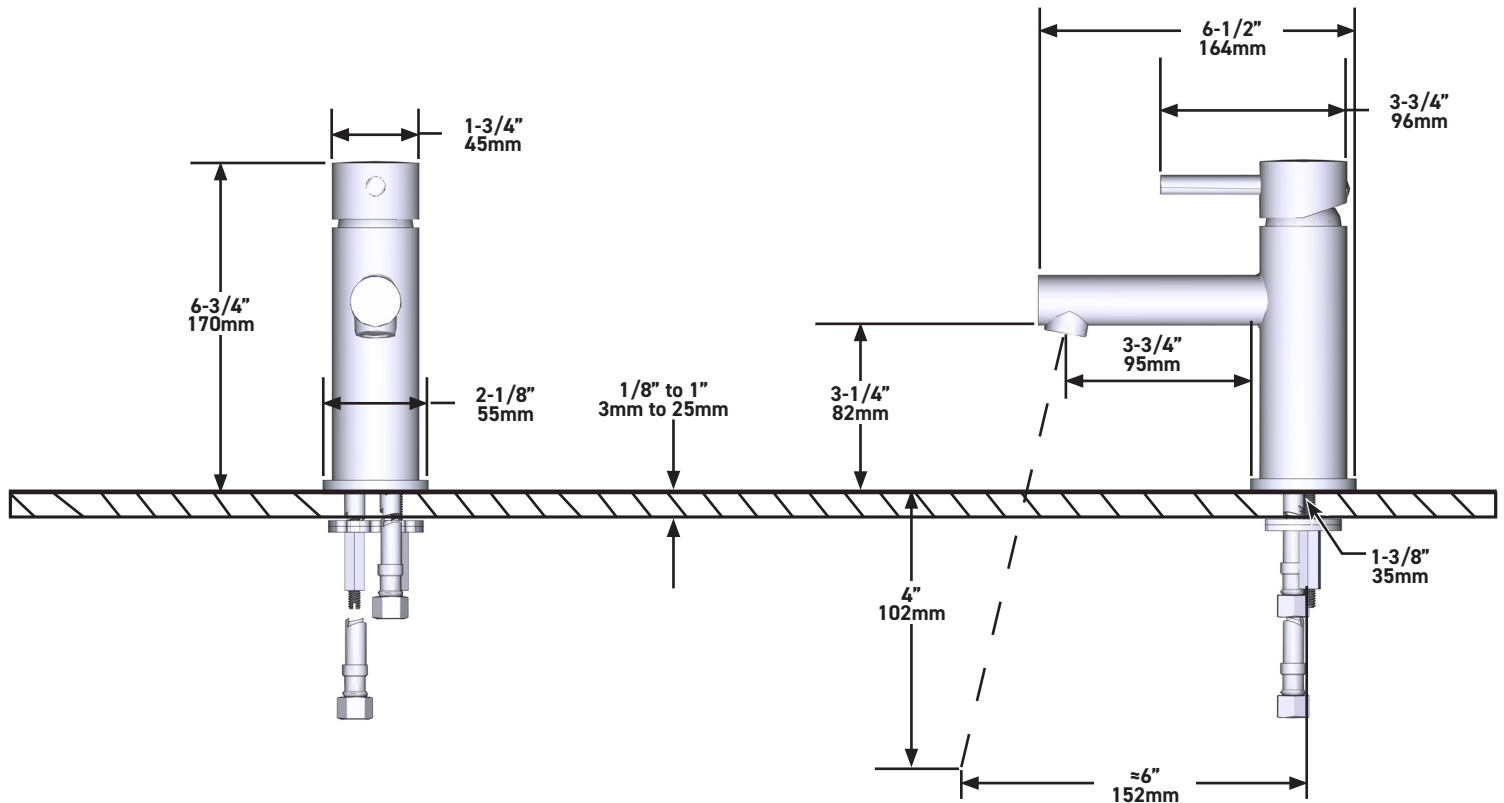
GARANTÍA

- www.riobel.design



Mezclador monomando para lavabo

MODELOS: GS00-EM



+44 (0)1952 221 100
www.riobel.design

A DISTINCTIVE MEMBER OF THE HOUSE OF ROHL