

SPECIFICATIONS

THE VENTY 1244 SHOWER KIT INCLUDES

- TVY44-EM - 2-Way No Share Type T/P Coaxial Valve Trim
- R23-EM - 2-Way Type T/P Coaxial Valve Rough
- R8045-EM - Shower Rail
- VY80-EM - Wall-Mount Bath Spout
- R794-EM - Elbow Supply

WARRANTY

- www.riobel.design



KIT1244VYC-EM

+44 (0)1952 221 100
www.riobel.design

A DISTINCTIVE MEMBER OF THE HOUSE OF ROHL

SPECIFICATIONS

DESCRIPTION

- Thermostatic/pressure balance coaxial cartridge with check valves
- Trim only
- R23-EM rough required to complete
- 3 positions (OFF, 1, 2) no share

FLOW

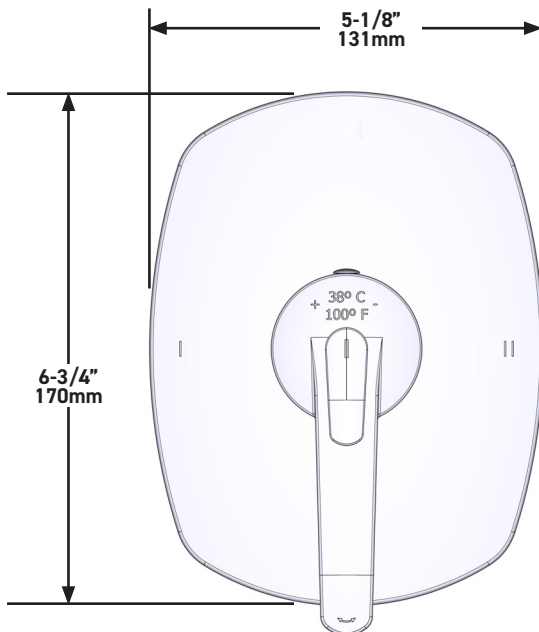
- 23 L/min, 60psi, 4 bar

WARRANTY

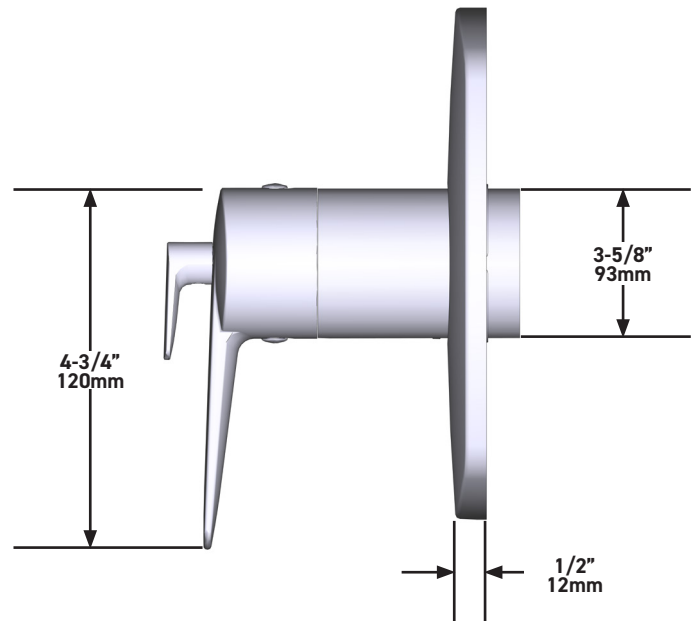
- www.riobel.design



**2-Way No Share Type T/P
Coaxial Valve Trim**



MODELS: TVY44-EM



+44 (0)1952 221 100
www.riobel.design

A DISTINCTIVE MEMBER OF THE HOUSE OF ROHL

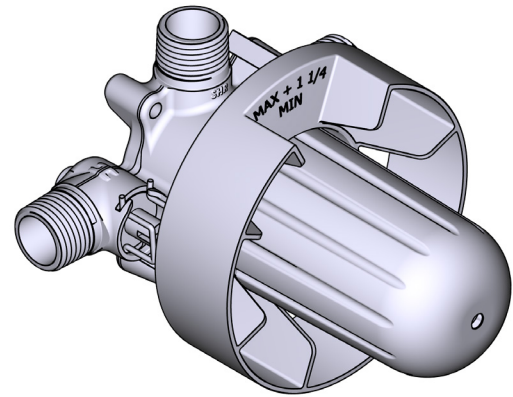
SPECIFICATIONS

DESCRIPTION

- Test cap
- Service valves
- G 1/2" male inlets
- Two G 1/2" outlets
- TGS23-EM trim required to complete
- Rough only

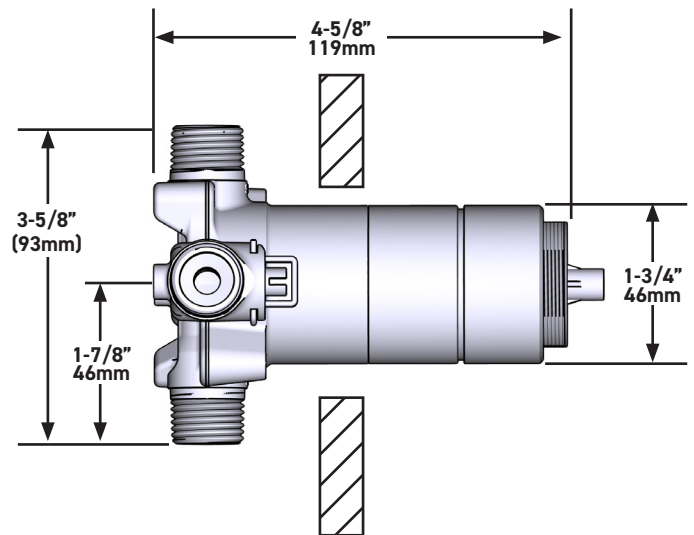
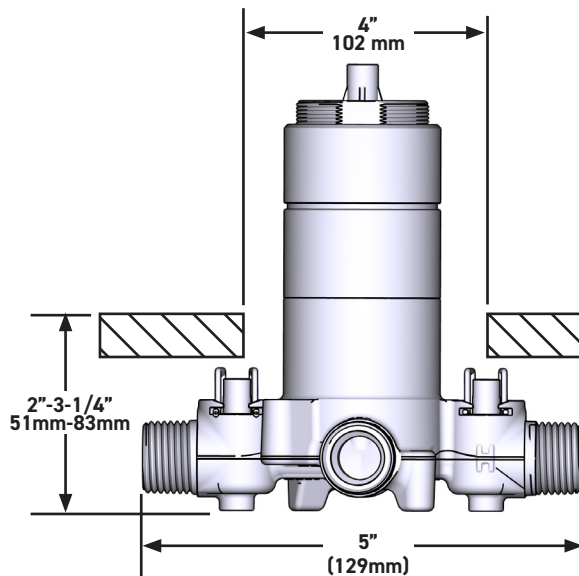
WARRANTY

- www.riobel.design



2-Way Type T/P Coaxial Valve Rough

MODELS: R23-EM



+44 (0)1952 221 100
www.riobel.design

A DISTINCTIVE MEMBER OF THE HOUSE OF ROHL

SPECIFICATIONS

DESCRIPTION

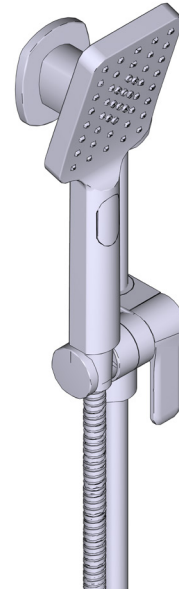
- Easy clean
- 150 cm (59") double interlock flexible hose, swivel and 2 check valves
- Ø19 mm (¾") slide bar
- Multifunction easy clean hand shower
- Easy-Glide left cursor

FLOW

- 7.6 L/min, 60 psi, 4 bar

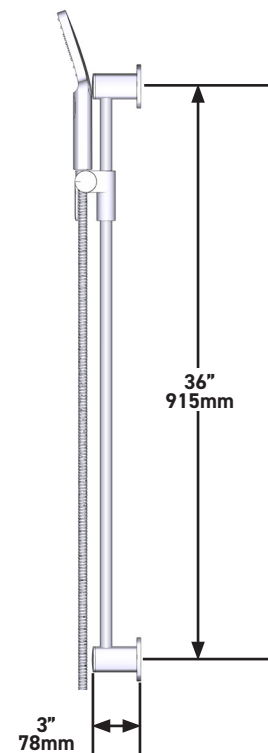
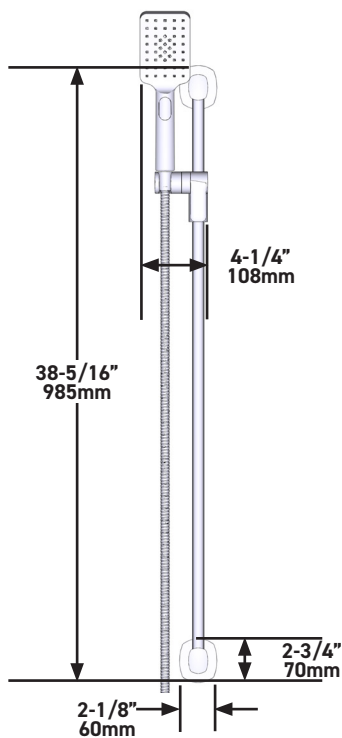
WARRANTY

- www.riobel.design



Shower Rail

MODELS: R8045-EM



+44 (0)1952 221 100
www.riobel.design

SPECIFICATIONS

DESCRIPTION

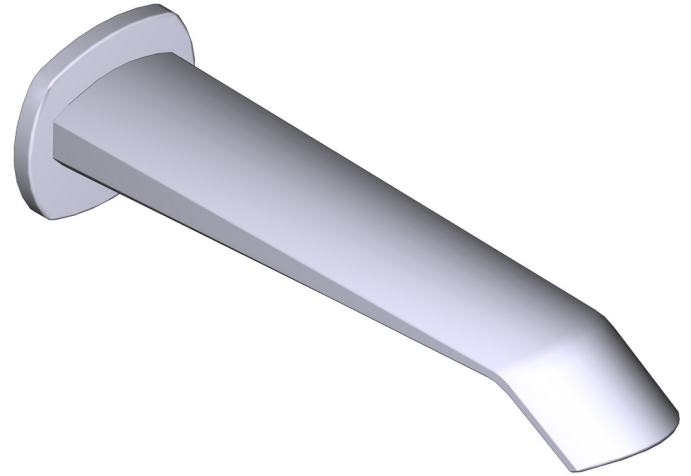
- G $\frac{1}{2}$ " copper slip fit inlet
- Brass

FLOW

- 23 L/min, 60psi, 4 bar

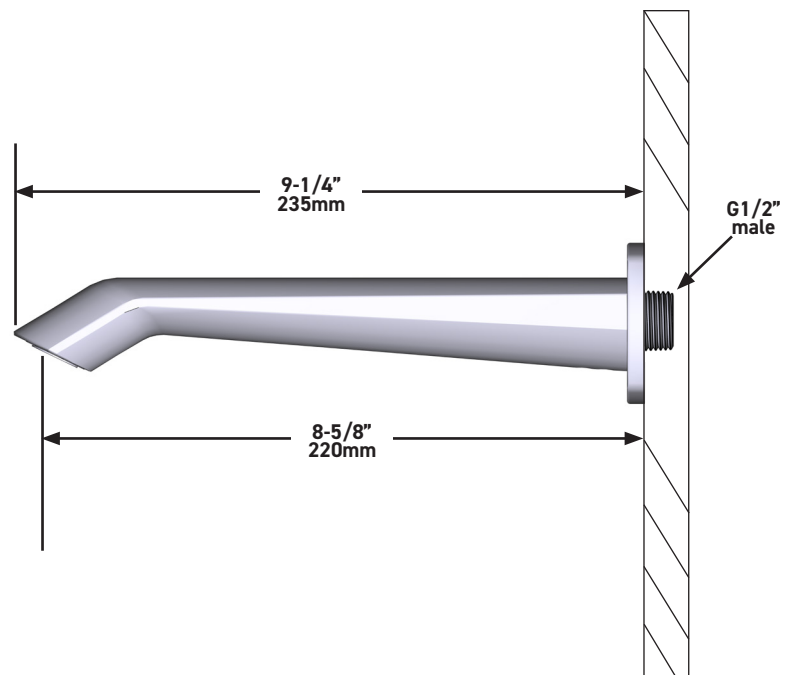
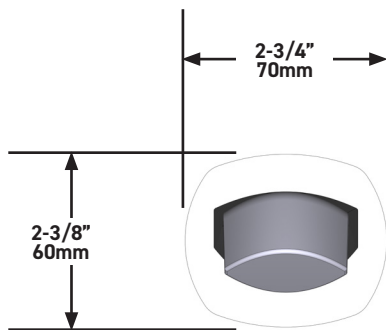
WARRANTY

- www.riobel.design



Wall Mount Bath Spout

MODELS: VY80-EM



+44 (0)1952 221 100
www.riobel.design

A DISTINCTIVE MEMBER OF THE HOUSE OF ROHL

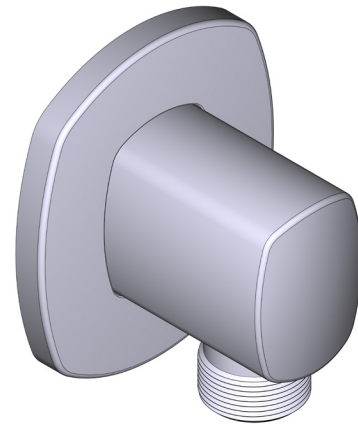
SPECIFICATIONS

DESCRIPTION

- G1/2" female inlet
- G1/2" shank supplied
- Adjustable depth
- G1/2" outlet male

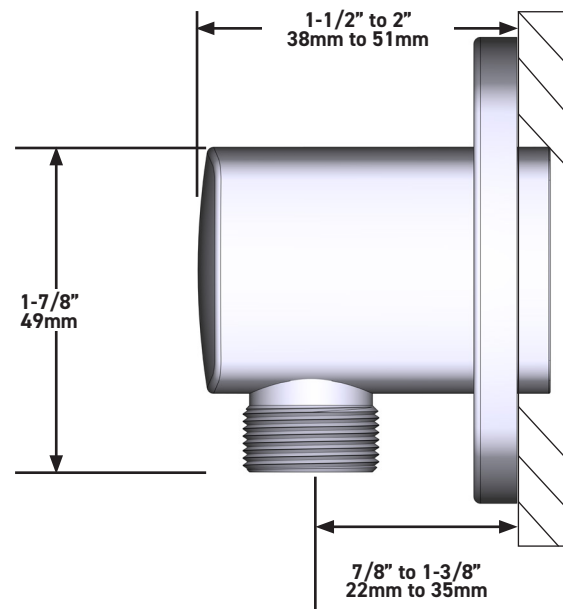
WARRANTY

- www.riobel.design



Elbow Supply

MODELS: R794-EM



+44 (0)1952 221 100
www.riobel.design

A DISTINCTIVE MEMBER OF THE HOUSE OF ROHL

TECHNISCHE DATEN

DAS DUSCHSYSTEM VENTY 1244 ENTHÄLT

- TVY44-EM - 2-Wege Einbau-Ventil T/P Sichtteil, beide Strahlarten gleichzeitig nutzbar
- R23-EM - 2-Wege Einbau-Ventil T/P UP-Teil
- R8045-EM - Brausestange
- VY80-EM - Wanneneinlauf
- R794-EM - Wandanschlussbogen

GARANTIE

- www.riobel.design



KIT1244VYC-EM

+44 (0)1952 221 100
www.riobel.design

A DISTINCTIVE MEMBER OF THE HOUSE OF ROHL

TECHNISCHE DATEN

BESCHREIBUNG

- Thermostat/Druckausgleichs-Kartusche mit Rückschlagventilen
- Nur Sichtteile
- R23-EM UP-Teil obligatorisch
- 3 Positionen (Aus, 1,2) nur einzeln nutzbar

DURCHFLUSSMENGE

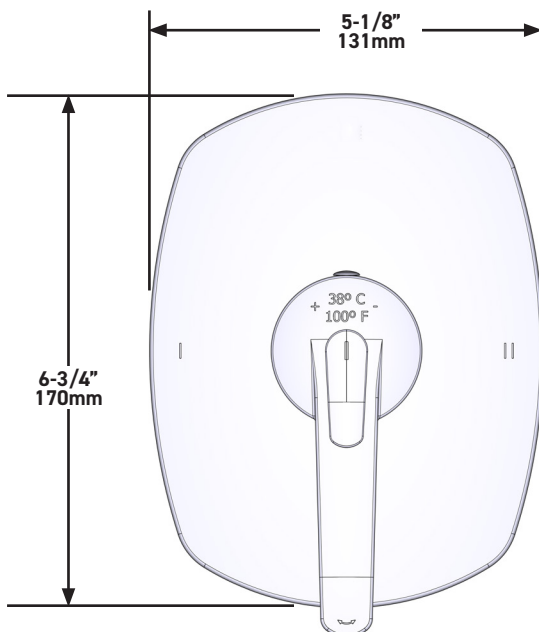
- 23 L/min, 60psi, 4 bar

GARANTIE

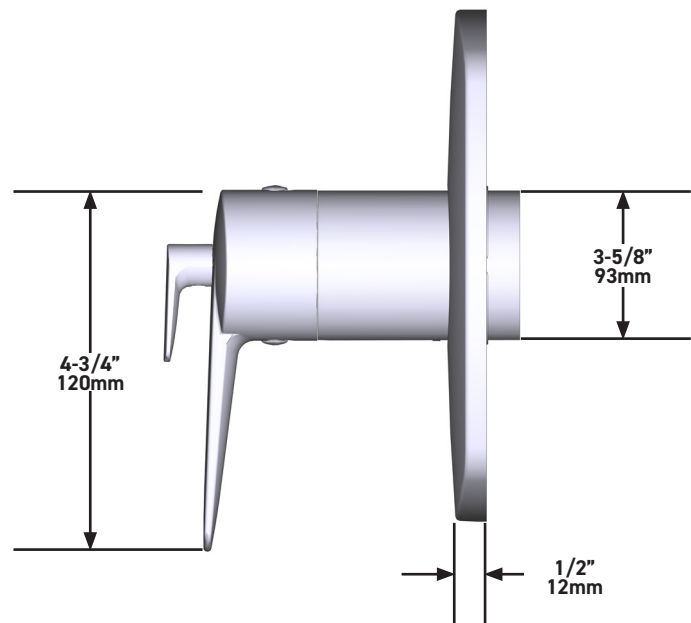
- www.riobel.design



2- Wege Einbau-Ventil T/P Sichtteil



MODELLE: TVY44-EM



+44 (0)1952 221 100
www.riobel.design

A DISTINCTIVE MEMBER OF THE HOUSE OF ROHL

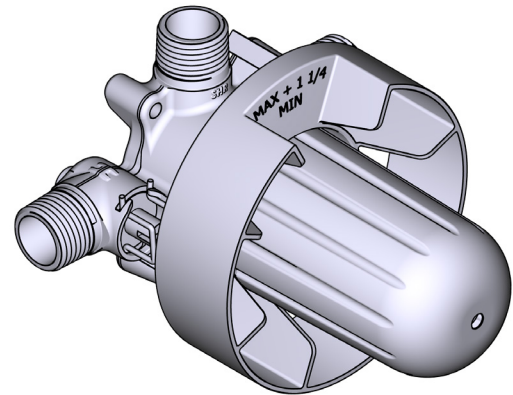
TECHNISCHE DATEN

BESCHREIBUNG

- Prüfkappe
- Service-Ventil
- G 1/2" Verbindung Aussengewinde
- 2 G 1/2" Aussengewindes
- TGS23-EM Zuschneiden erforderlich, um abzuschliessen
- Nur grob

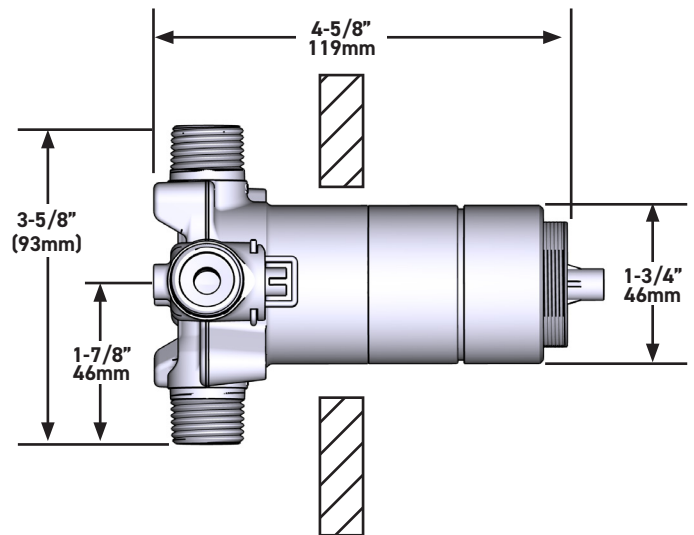
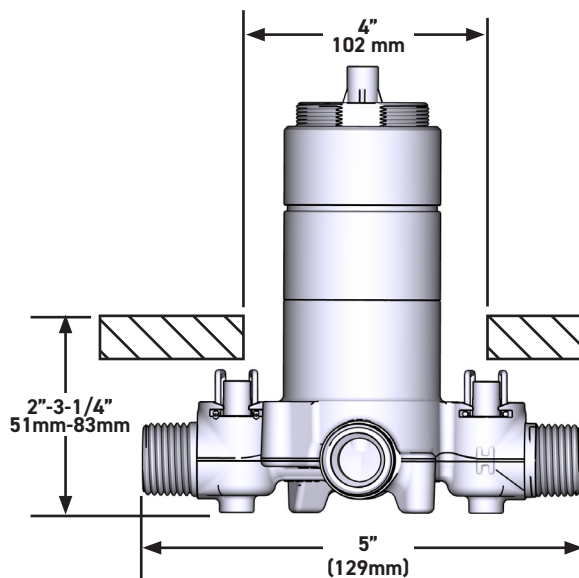
GARANTIE

- www.riobel.design



**2-Wege Einbau-Ventil T/P Sichtteil ,
beide Strahlarten gleichzeitig nutzbar**

MODELLE: R23-EM



+44 (0)1952 221 100
www.riobel.design

A DISTINCTIVE MEMBER OF THE HOUSE OF ROHL

TECHNISCHE DATEN

BESCHREIBUNG

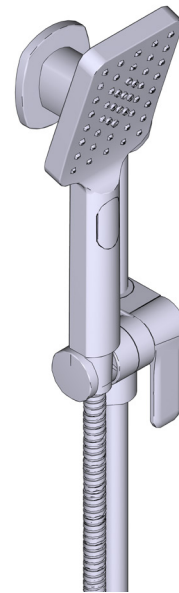
- Easy-Clean-Noppen
- 150 cm flexibler, doppelwandiger Schlauch mit Drehgelenk und 2 Anschlüssen
- Ø19 mm (¾") brausestange
- Zweistahl-Handbrause
- "Easy-Glide" Brausehalter

DURCHFLUSSMENGE

- 7.6 L/min, 60 psi, 4 bar

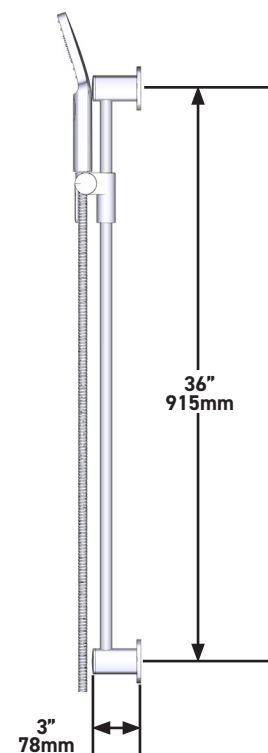
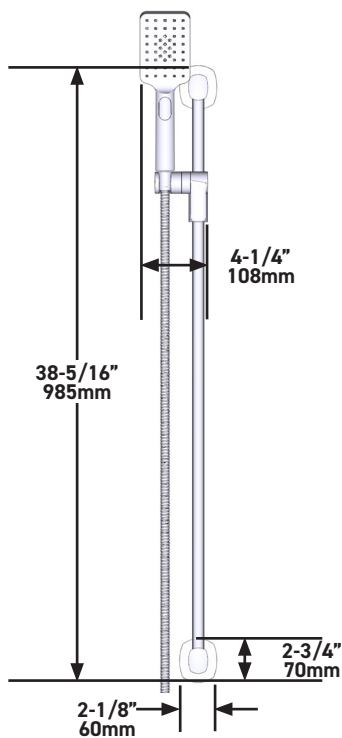
GARANTIE

- www.riobel.design



Brausestange

MODELLE: R8045-EM



+44 (0)1952 221 100
www.riobel.design

A DISTINCTIVE MEMBER OF THE HOUSE OF ROHL

TECHNISCHE DATEN

BESCHREIBUNG

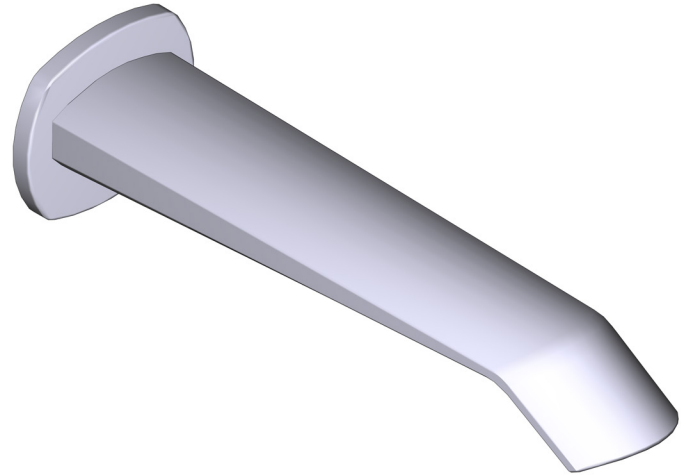
- G 1/2" Kupfer Einlass
- Messing

DURCHFLUSSMENGE

- 23 L/min, 60psi, 4 bar

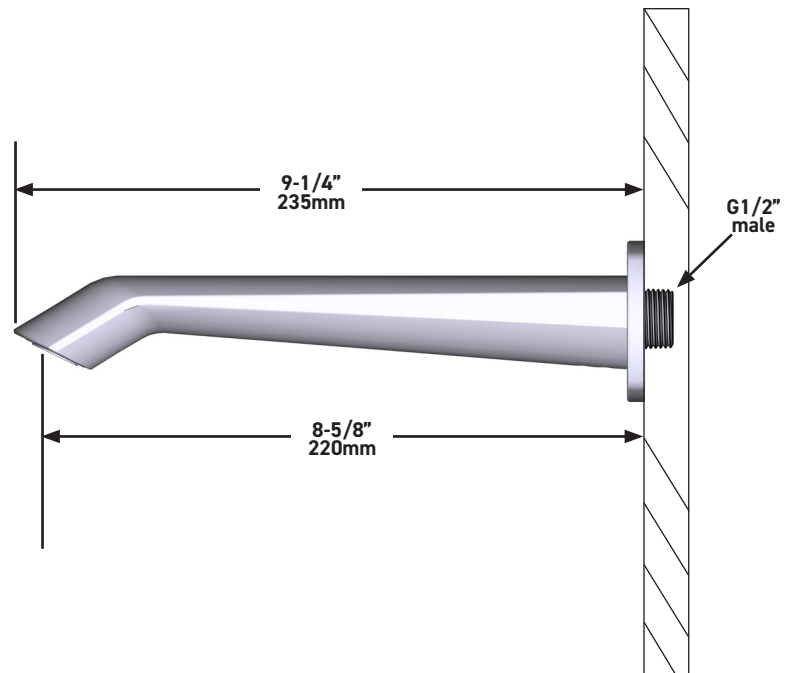
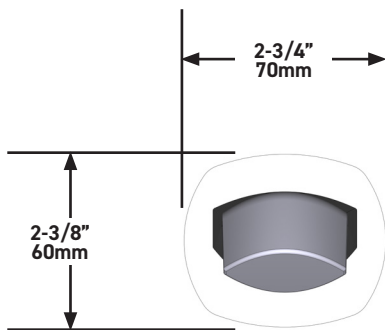
GARANTIE

- www.riobel.design



Wanneneinlauf

MODELLE: VY80-EM



+44 (0)1952 221 100
www.riobel.design

A DISTINCTIVE MEMBER OF THE HOUSE OF ROHL

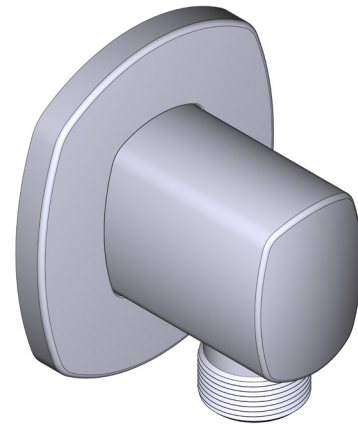
TECHNISCHE DATEN

BESCHREIBUNG

- G1/2" Einlass Innengewinde
- G1/2" Adapter im Lieferumfang
- Einstellbare Tiefe
- G1/2" Auslass Aussengewinde

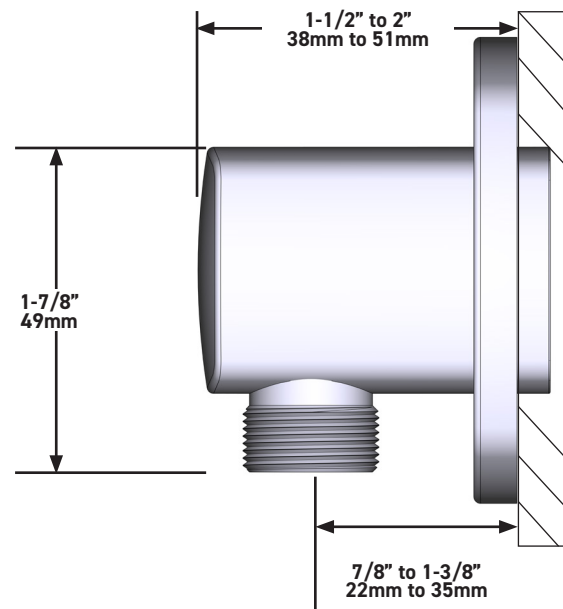
GARANTIE

- www.riobel.design



Wandanschlussbogen

MODELLE: R794-EM



+44 (0)1952 221 100
www.riobel.design

A DISTINCTIVE MEMBER OF THE HOUSE OF ROHL

CARACTÉRISTIQUES TECHNIQUES

LE KIT DE DOUCHE VENTY 1244 COMPREND

- TVY44-EM - Habillage pour corps à encastrer mitigeur thermostatique 2 voies non partagées (T/P : cartouche thermostatique coaxiale avec équilibrage de pression)
- R23-EM - Corps à encastrer pour mitigeur thermostatique 2 voies (Type T/P : cartouche thermostatique coaxiale avec équilibrage de pression)
- R8045-EM - Barre de douche
- VY80-EM - Bec de baignoire
- R794-EM - Coude de raccordement mural

GARANTIE

- www.riobel.design



KIT1244VYC-EM

+44 (0)1952 221 100
www.riobel.design

A DISTINCTIVE MEMBER OF THE HOUSE OF ROHL

CARACTÉRISTIQUES TECHNIQUES

DESCRIPTION

- Cartouche thermostatique coaxiale avec clapets anti-retour
- Plaque d'habillage seule
- R23-EM nécessite un corps d'encastrement pour compléter l'installation
- 3 positions (OFF, 1, 2) non partagées

DÉBIT

- 23 L/min, 60psi, 4 bar

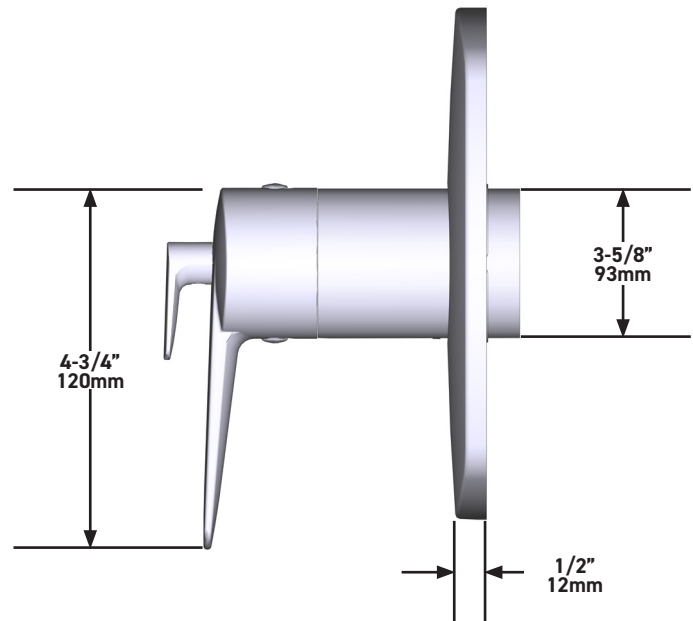
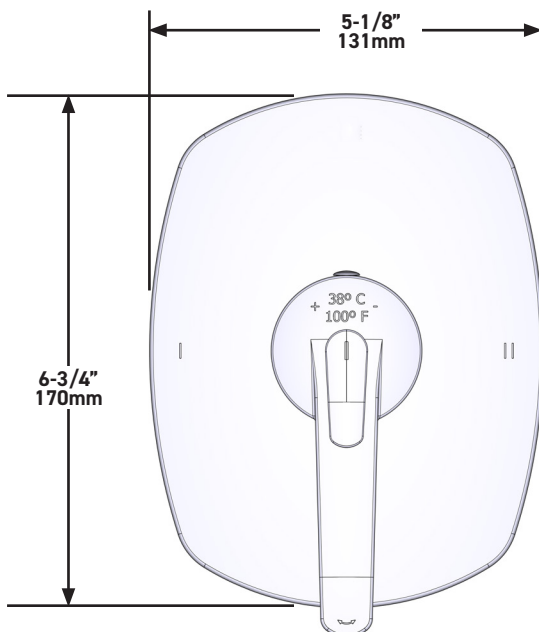
GARANTIE

- www.riobel.design



Habillage pour corps à encastrer mitigeur thermostatique 2 voies non partagées (T/P : cartouche thermostatique coaxiale avec équilibrage de pression)

MODÈLES: TVY44-EM



+44 (0)1952 221 100
www.riobel.design

A DISTINCTIVE MEMBER OF THE HOUSE OF ROHL

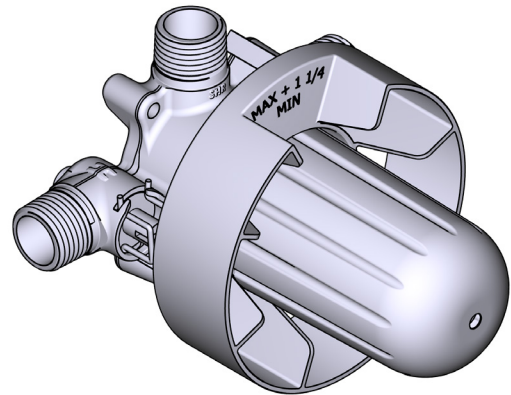
CARACTÉRISTIQUES TECHNIQUES

DESCRIPTION

- Bouchon pour essai
- Robinet d'arrêt
- Connexion mâle G1/2
- 2 G½" sorties
- TGS23-EM garniture requise pour terminer
- Rugueux seulement

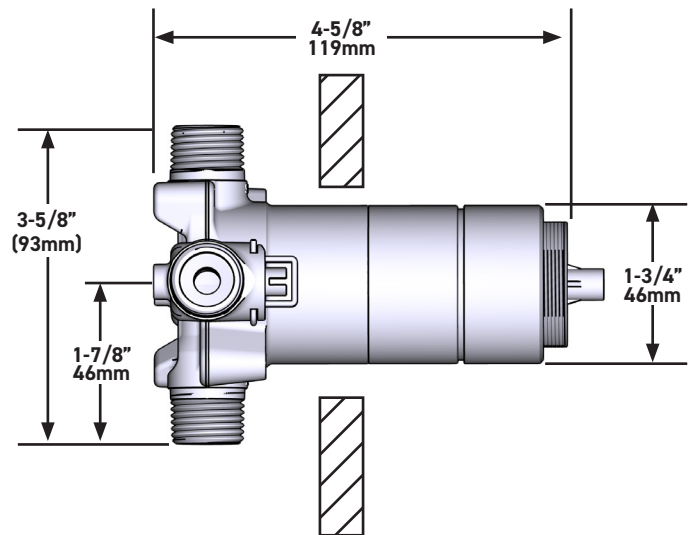
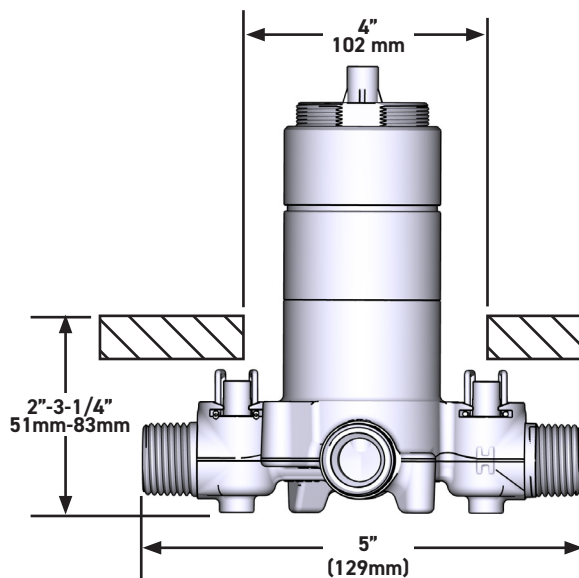
GARANTIE

- www.riobel.design



**Habillage pour corps à encastrer mitigeur
thermostatique 2 voies (T/P : cartouche
thermostatique coaxiale avec équilibrage
de pression)**

MODÈLES: R23-EM



+44 (0)1952 221 100
www.riobel.design

A DISTINCTIVE MEMBER OF THE HOUSE OF ROHL

CARACTÉRISTIQUES TECHNIQUES

DESCRIPTION

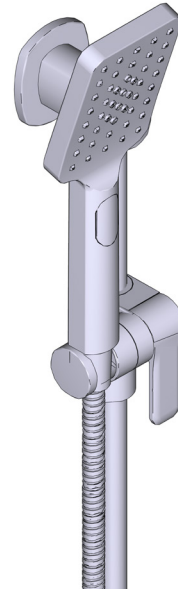
- Anticalcaire
- Flexible de douche double agrafage de 150 cm.
- Écrou tournant et 2 clapets anti-retour
- Ø19 mm (¾") barre de douche
- Douchette 2 jets
- Support coulissant, système "Easy Glide"

DÉBIT

- 7.6 L/min, 60 psi, 4 bar

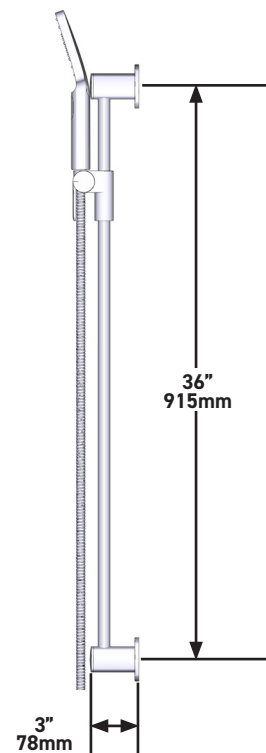
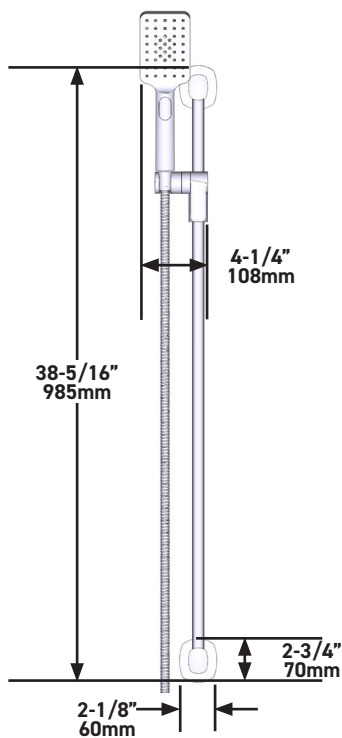
GARANTIE

- www.riobel.design



Barre de douche

MODÈLES: R8045-EM



+44 (0)1952 221 100
www.riobel.design

CARACTÉRISTIQUES TECHNIQUES

DESCRIPTION

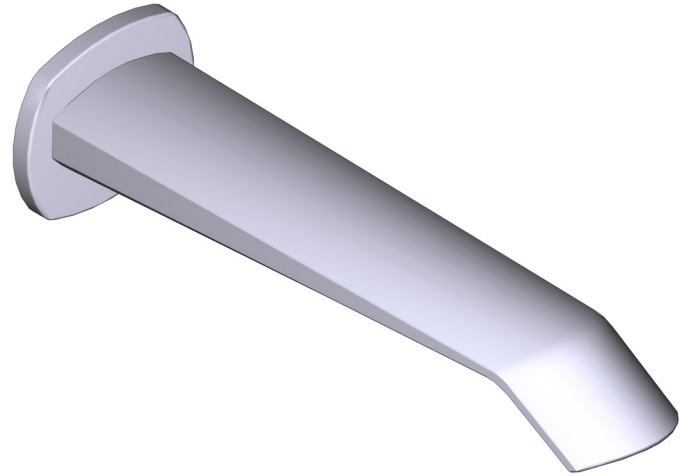
- Entrée coulissante en cuivre G1/2"
- Laiton

DÉBIT

- 23 L/min, 60psi, 4 bar

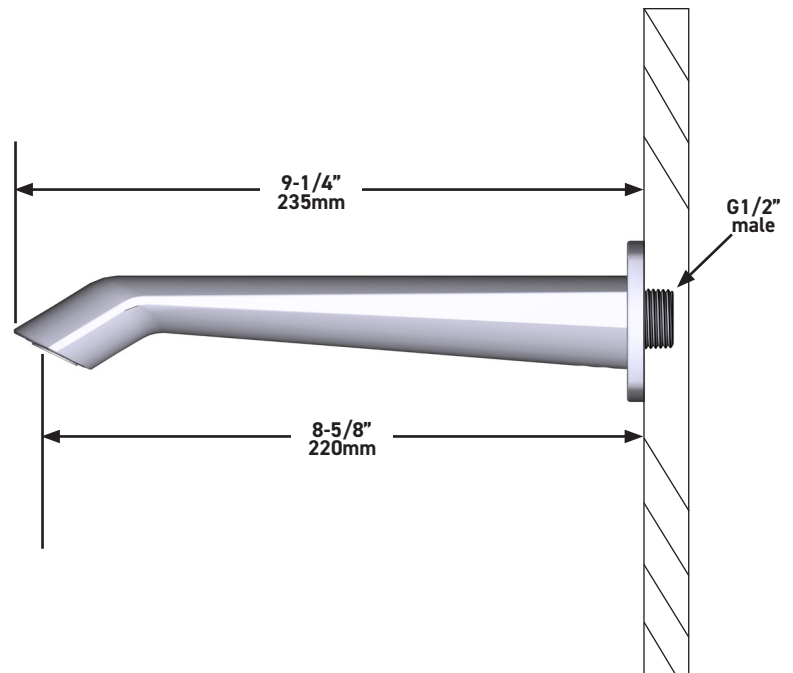
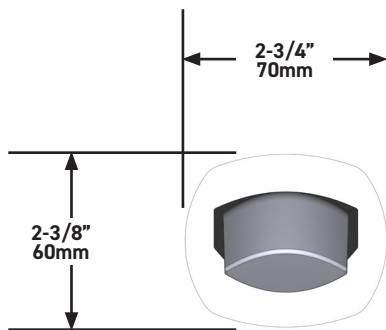
GARANTIE

- www.riobel.design



Bec de baignoire

MODÈLES: VY80-EM



+44 (0)1952 221 100
www.riobel.design

A DISTINCTIVE MEMBER OF THE HOUSE OF ROHL

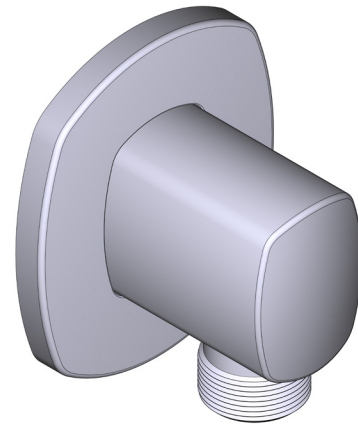
CARACTÉRISTIQUES TECHNIQUES

DESCRIPTION

- Entrée G1/2" femelle
- Raccord mâle-femelle G1/2"
- Profondeur réglable
- Sortie G1/2" mâle

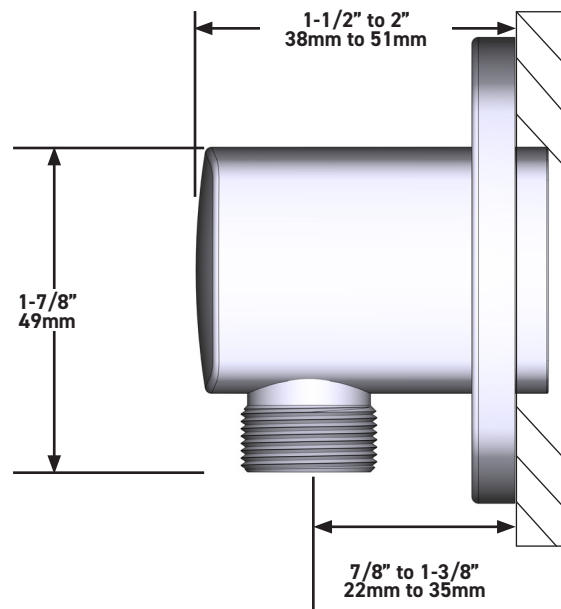
GARANTIE

- www.riobel.design



Coude de raccordement mural

MODÈLES: R794-EM



+44 (0)1952 221 100
www.riobel.design

A DISTINCTIVE MEMBER OF THE HOUSE OF ROHL

SPECIFICHE

IL KIT DOCCIA VENTY 1244 INCLUDE

- TVY44-EM - Valvola coassiale 2 vie di tipo T/P parte esterna
- R23-EM - Valvola coassiale 2 vie di tipo T/P parte interna
- R8045-EM - Asta doccia
- VY80-EM - Bocca di erogazione per vasca da bagno
- R794-EM - Raccordo a gomito

GARANZIA

- www.riobel.design



KIT1244VYC-EM

+44 (0)1952 221 100
www.riobel.design

A DISTINCTIVE MEMBER OF THE HOUSE OF ROHL

SPECIFICHE

DESCRIZIONE

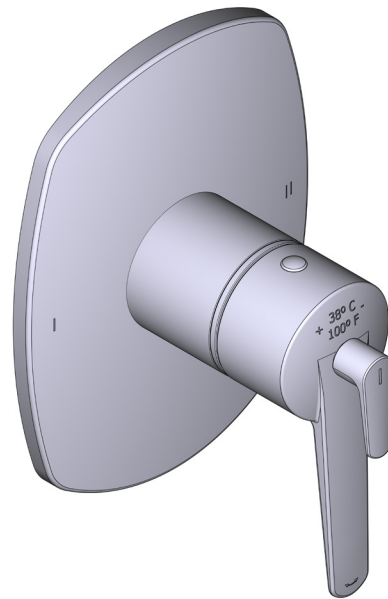
- Cartuccia coassiale con valvole di controllo Termostatica/pressione
- Solo parte esterna
- Parte interna necessaria per R23-EM
- 3 posizioni (off, 1,2), non utilizzabili contemporaneamente

FLUSSO

- 23 L/min, 60psi, 4 bar

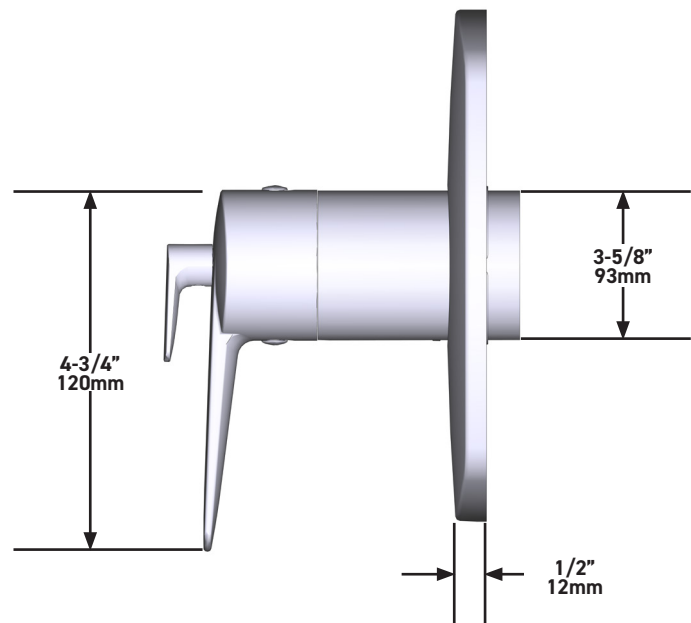
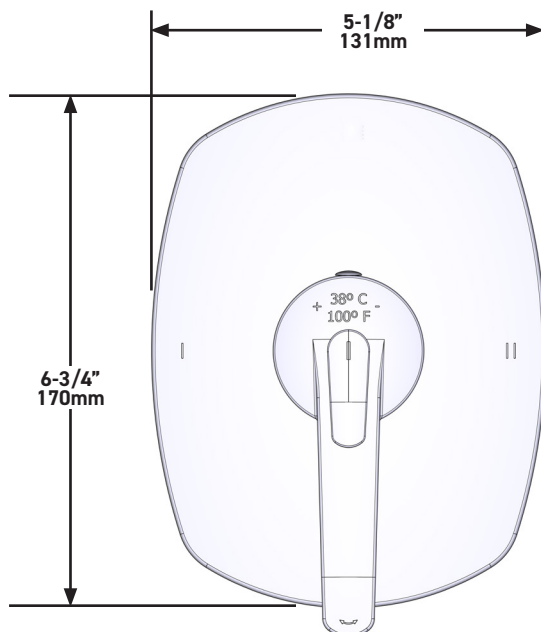
GARANZIA

- www.riobel.design



Valvola coassiale 2 vie di tipo T/P selezione alternata

MODELLI: TVY44-EM



+44 (0)1952 221 100
www.riobel.design

A DISTINCTIVE MEMBER OF THE HOUSE OF ROHL

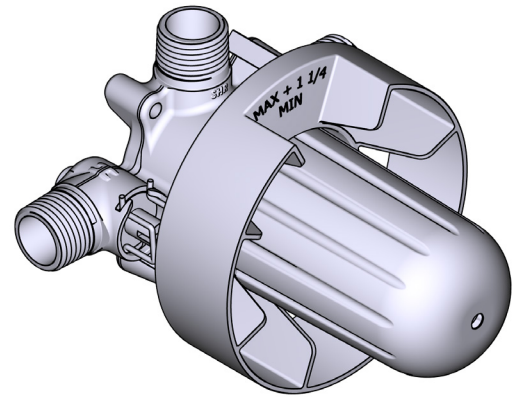
SPECIFICHE

DESCRIZIONE

- Tappo di sicurezza
- Valvola di servizio
- G1/2" congiunzione maschio
- Two G½" uscite
- TGS23-EM trim necessario per completare
- Solo ruvido

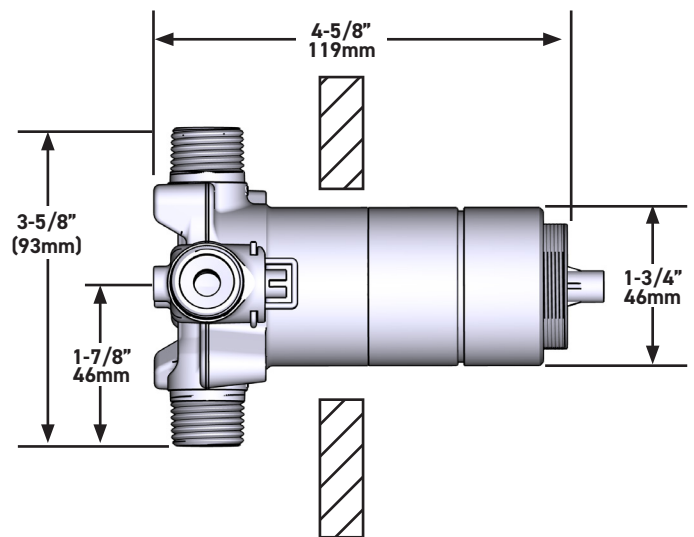
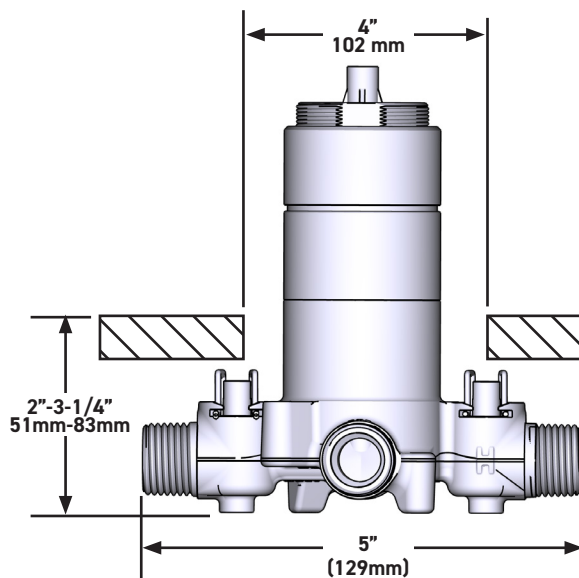
GARANZIA

- www.riobel.design



Valvola coassiale 2 vie di tipo T/P parte esterna

MODELLI: R23-EM



+44 (0)1952 221 100
www.riobel.design

A DISTINCTIVE MEMBER OF THE HOUSE OF ROHL

SPECIFICHE

DESCRIZIONE

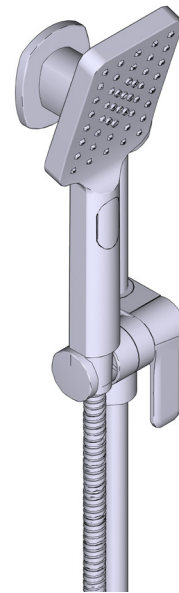
- Ugelli facili da pulire
- Tubo flessibile doccia 150cm con snodo e 2 valvole
- Ø19 mm (¾") asta doccia
- Doccetta con doppio getto
- Cursore sinistro Easy-Glide

FLUSSO

- 7.6 L/min, 60 psi, 4 bar

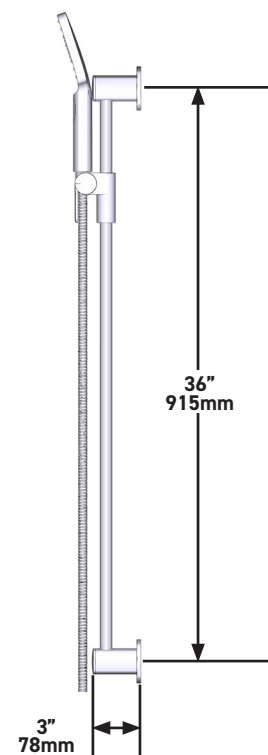
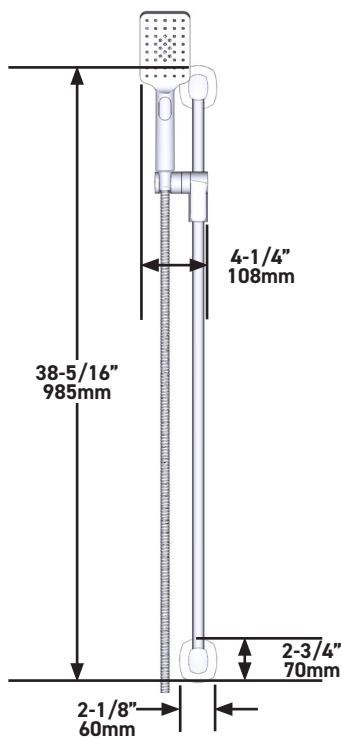
GARANZIA

- www.riobel.design



Asta doccia

MODELLI: R8045-EM



+44 (0)1952 221 100
www.riobel.design

A DISTINCTIVE MEMBER OF THE HOUSE OF ROHL

SPECIFICHE

DESCRIZIONE

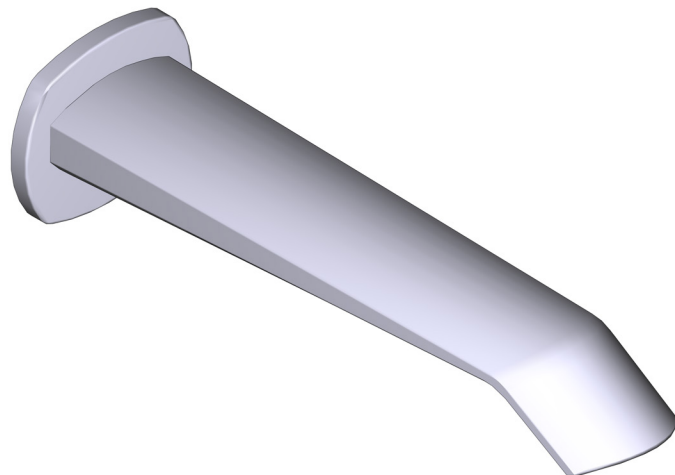
- G1/2" ingresso a pressione in rame
- Cromato

FLUSSO

- 23 L/min, 60psi, 4 bar

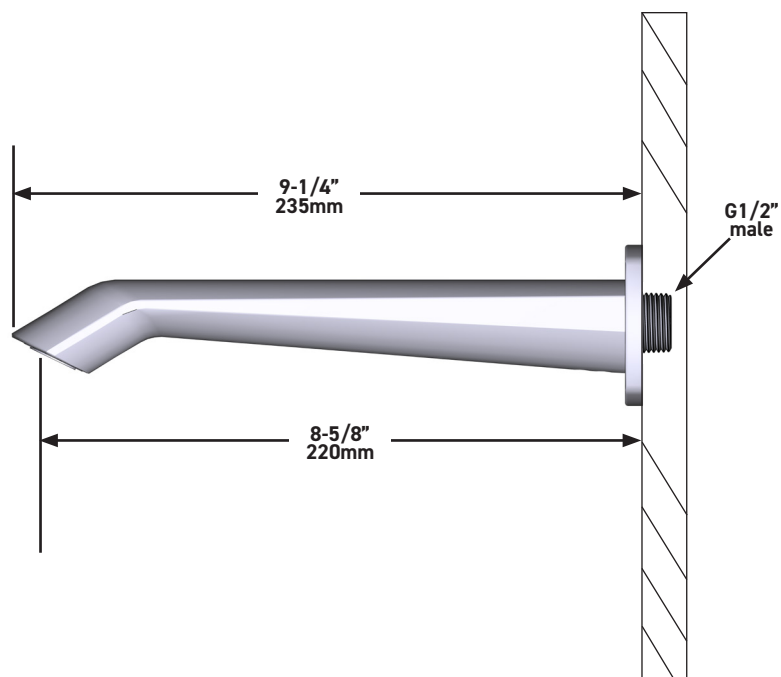
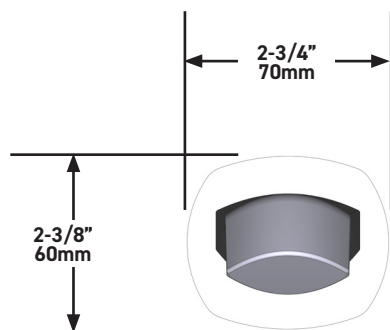
GARANZIA

- www.riobel.design



Bocca di erogazione per vasca da bagno

MODELLI: VY80-EM



+44 (0)1952 221 100
www.riobel.design

A DISTINCTIVE MEMBER OF THE HOUSE OF ROHL

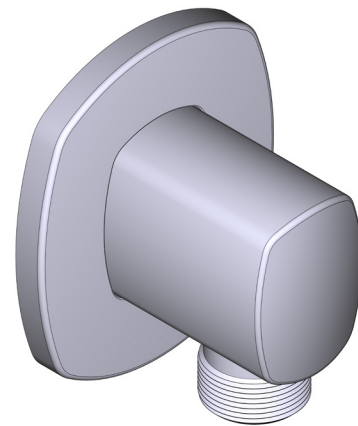
SPECIFICHE

DESCRIZIONE

- G1/2" ingresso femmina
- Attacco G1/2" in dotazione
- Profondità variabile
- G1/2" uscita maschio

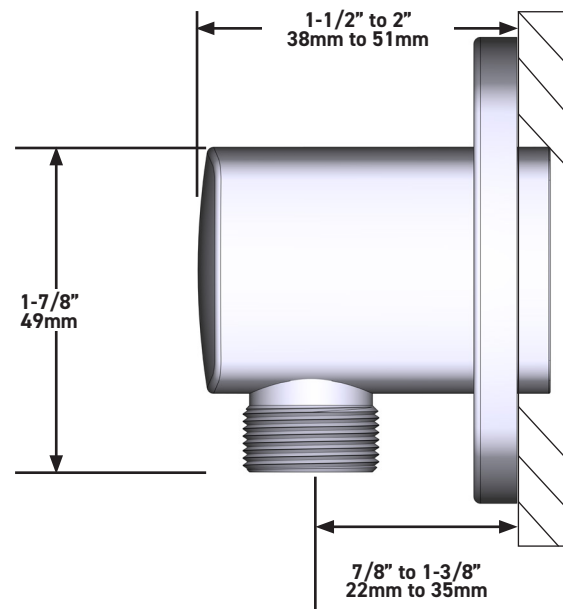
GARANZIA

- www.riobel.design



Raccordo a gomito

MODELLI: R794-EM



+44 (0)1952 221 100
www.riobel.design

A DISTINCTIVE MEMBER OF THE HOUSE OF ROHL

CARACTERÍSTICAS TÉCNICAS

EL KIT DE DUCHA VENTY 1244 INCLUYE

- TVY44-EM - Conjunto embellecedor para cuerpo termostático de 2 vías no compartidas (T/P: cartucho termostático coaxial con equilibrador de presión)
- R23-EM - Cuerpo empotrado para mezclador termostático de 2 vías (tipo T/P: cartucho termostático coaxial con equilibrador de presión)
- R8045-EM - Barra de ducha
- VY80-EM - Caño de bañera
- R794-EM - Codo de salida de pared

GARANTÍA

- www.riobel.design



KIT1244VYC-EM

+44 (0)1952 221 100
www.riobel.design

A DISTINCTIVE MEMBER OF THE HOUSE OF ROHL

CARACTERÍSTICAS TÉCNICAS

DESCRIPCIÓN

- Cartucho termostático coaxial con válvulas anti retorno
- Solo placa embellecedora
- R23-EM cuerpo empotrado requerido para completar la instalación
- 3 posiciones (OFF, 1, 2) no compartidas

Caudal

- 23 L/min, 60psi, 4 bar

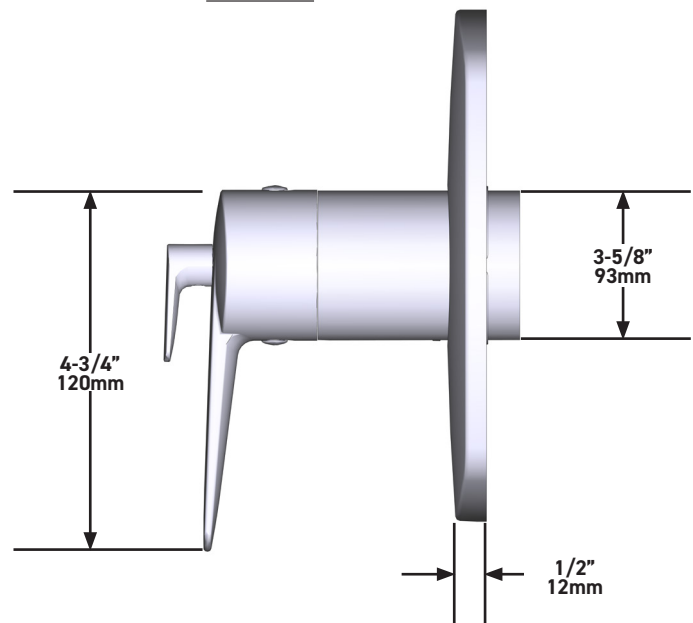
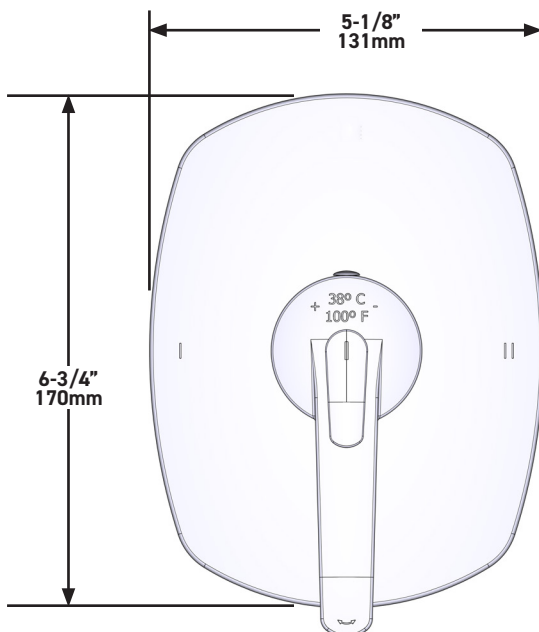
GARANTÍA

- www.riobel.design



Conjunto embellecedor para cuerpo termostático de 2 vías no compartidas (T/P: cartucho termostático coaxial con equilibrador de presión)

MODELOS: TVY44-EM



+44 (0)1952 221 100
www.riobel.design

A DISTINCTIVE MEMBER OF THE HOUSE OF ROHL

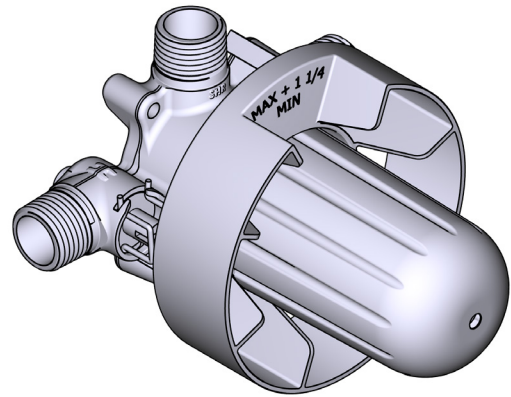
CARACTERÍSTICAS TÉCNICAS

DESCRIPCIÓN

- Tapón de prueba
- Llave de paso
- Conexión macho G1/2"
- Two G½" salidas
- TGS23-EM recorte requerido para completar
- Solo áspero

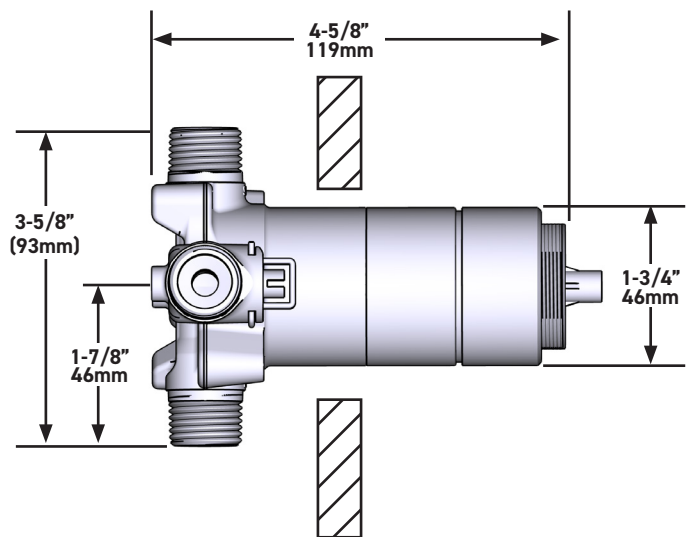
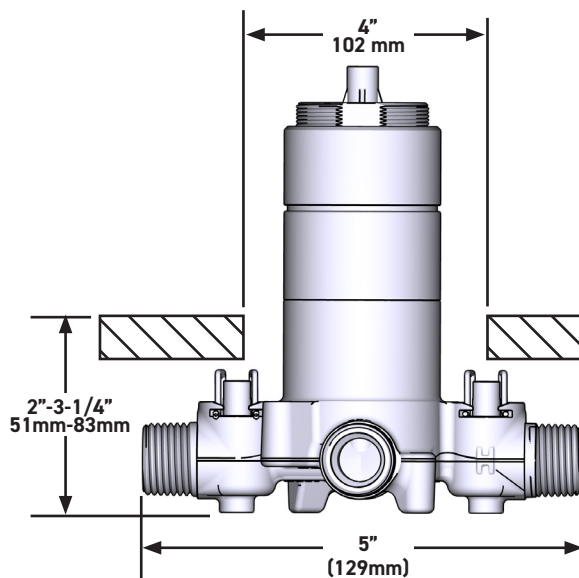
GARANTÍA

- www.riobel.design



Conjunto embellecedor para cuerpo termostático de 2 vías (T/P: cartucho termostático coaxial con equilibrador de presión)

MODELOS: R23-EM



+44 (0)1952 221 100
www.riobel.design

A DISTINCTIVE MEMBER OF THE HOUSE OF ROHL

CARACTERÍSTICAS TÉCNICAS

DESCRIPCIÓN

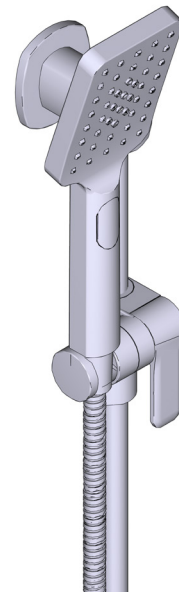
- Anticalcárea
- Flexo de ducha reforzado de 150 cm.
- Tuerca giratoria y 2 válvulas anti retorno
- Ø19 mm (¾") barra de ducha
- Ducha de mano 2 jets
- Soporte deslizante, sistema "Easy Glide"

Caudal

- 7.6 L/min, 60 psi, 4 bar

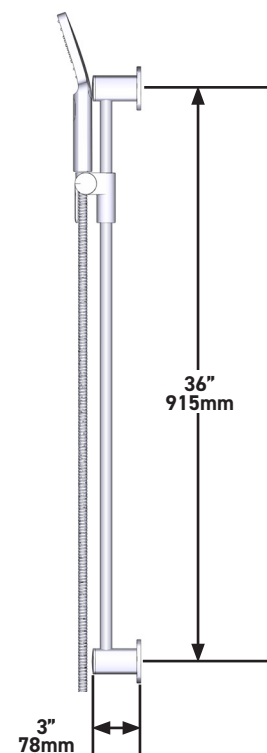
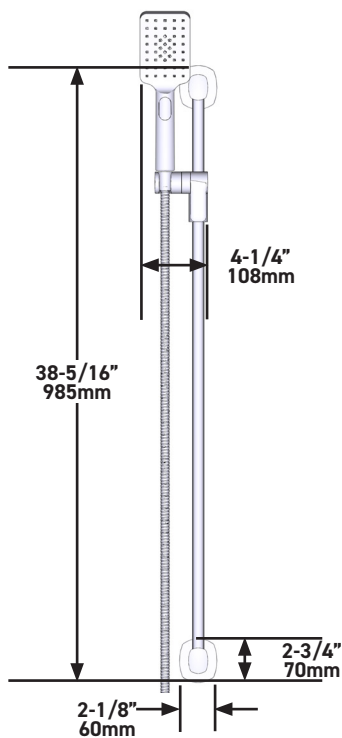
GARANTÍA

- www.riobel.design



Barra de ducha

MODELOS: R8045-EM



+44 (0)1952 221 100
www.riobel.design

CARACTERÍSTICAS TÉCNICAS

DESCRIPCIÓN

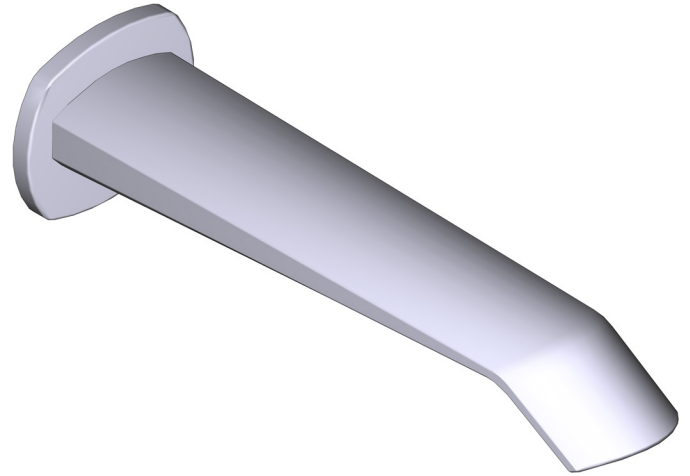
- Entrada de cobre con ajuste deslizante de G1/2 "
- Latón

CAUDAL

- 23 L/min, 60psi, 4 bar

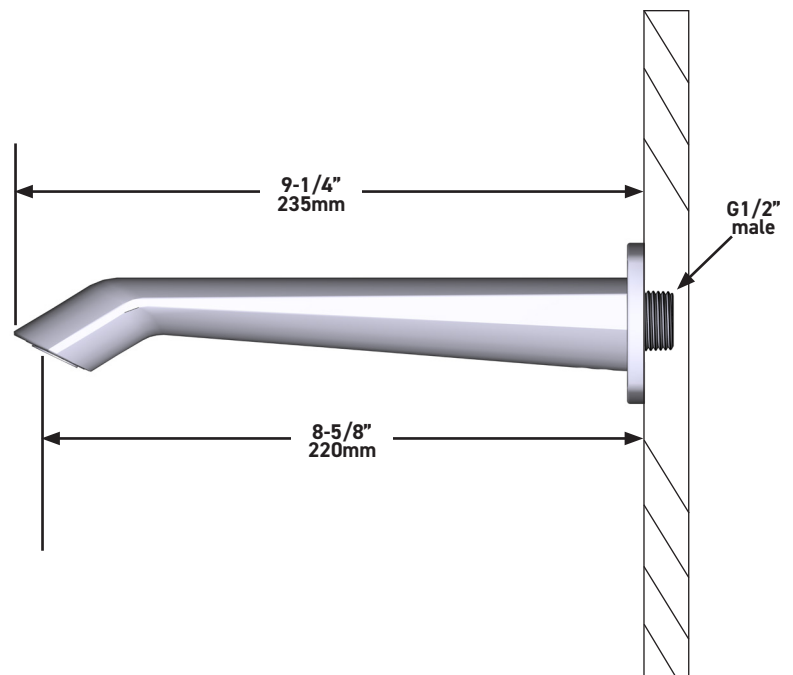
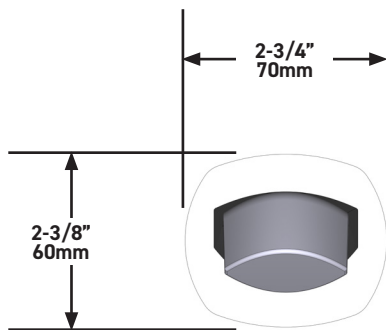
GARANTÍA

- www.riobel.design



Caño de bañera

MODELOS: VY80-EM



+44 (0)1952 221 100
www.riobel.design

A DISTINCTIVE MEMBER OF THE HOUSE OF ROHL

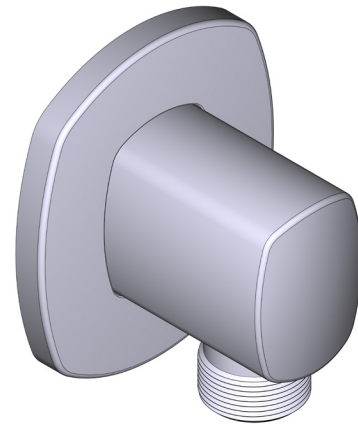
CARACTERÍSTICAS TÉCNICAS

DESCRIPCIÓN

- Entrada hembra G1/2"
- Racor macho-hembra G1/2"
- Profundidad regulable
- Salida macho G1/2"

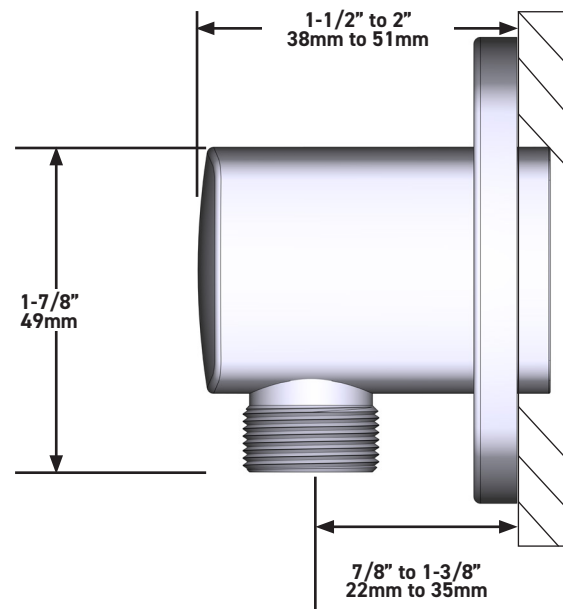
GARANTÍA

- www.riobel.design



Codo de salida de pared

MODELOS: R794-EM



+44 (0)1952 221 100
www.riobel.design

A DISTINCTIVE MEMBER OF THE HOUSE OF ROHL