

SPECIFICATIONS

THE PARADOX 1244 SHOWER KIT INCLUDES

- TPXTQ44-EM - 2-Way No Share Type T/P Coaxial Valve Trim
- R23-EM - 2-Way Type T/P Coaxial Valve Rough
- R4845-EM - Shower Rail
- PXTQ80-EM - Wall-Mount Bath Spout
- R774-EM - Elbow Supply

WARRANTY

- www.riobel.design



KIT1244PXTQ-EM

+44 (0)1952 221 100
www.riobel.design

A DISTINCTIVE MEMBER OF THE HOUSE OF ROHL

SPECIFICATIONS

DESCRIPTION

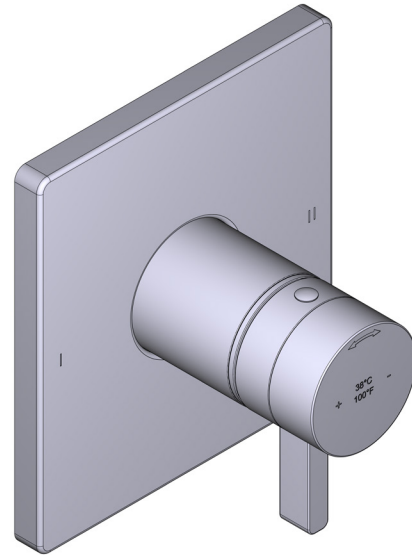
- Thermostatic/pressure balance coaxial cartridge with check valves
- Trim only
- R23-EM rough required to complete
- 3 positions (OFF, 1, 2) no share

FLOW

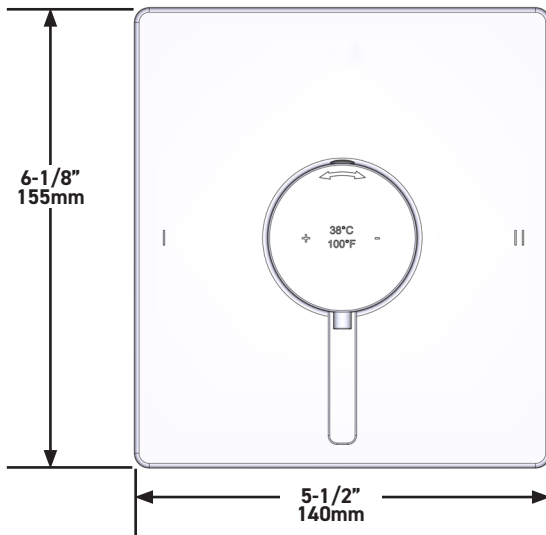
- 23 L/min, 60psi, 4 bar

WARRANTY

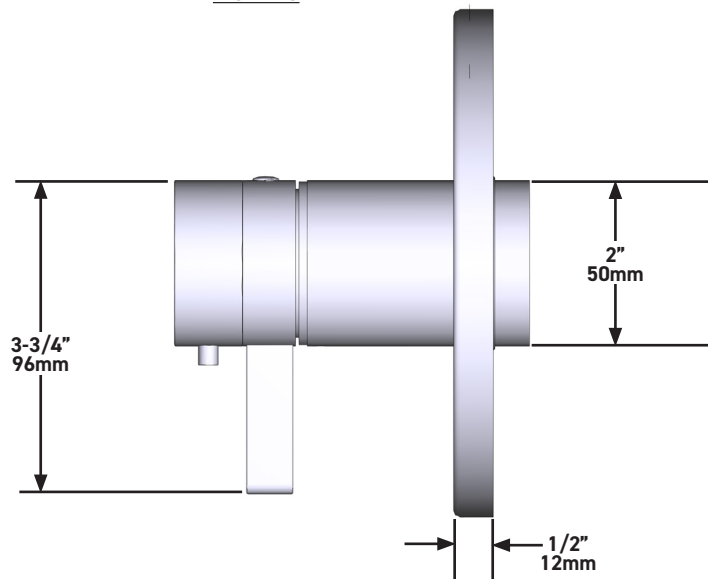
- www.riobel.design



2-Way No Share Type T/P Coaxial Valve Trim



MODELS: TPXTQ44-EM



+44 (0)1952 221 100
www.riobel.design

A DISTINCTIVE MEMBER OF THE HOUSE OF ROHL

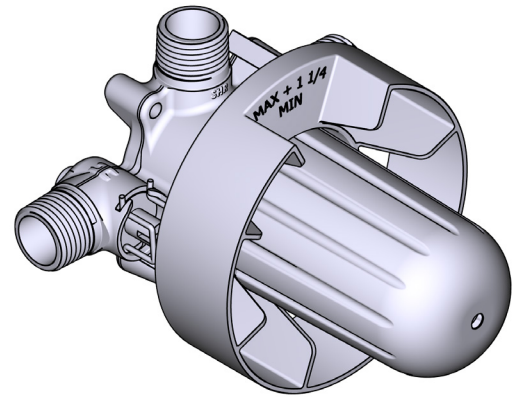
SPECIFICATIONS

DESCRIPTION

- Test cap
- Service valves
- G 1/2" male inlets
- Two G 1/2" outlets
- TGS23-EM trim required to complete
- Rough only

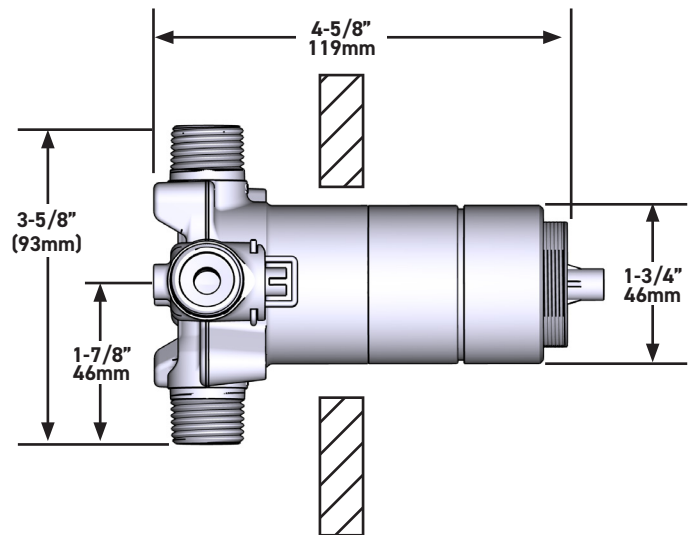
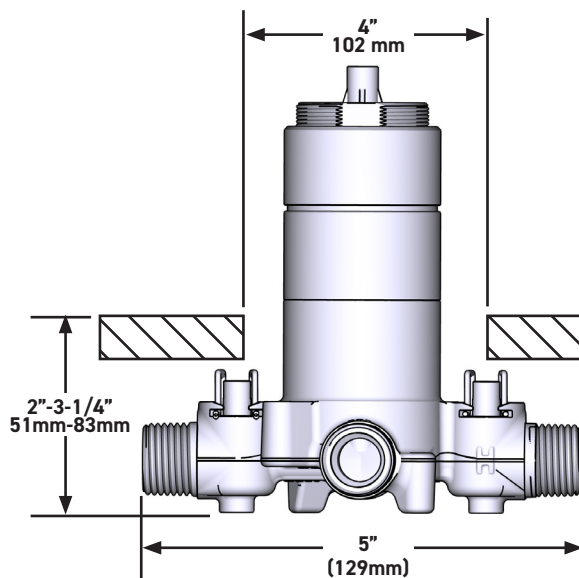
WARRANTY

- www.riobel.design



2-Way Type T/P Coaxial Valve Rough

MODELS: R23-EM



+44 (0)1952 221 100
www.riobel.design

A DISTINCTIVE MEMBER OF THE HOUSE OF ROHL

SPECIFICATIONS

DESCRIPTION

- Easy clean
- Multifunction easy clean hand shower
- 150 cm (59") double interlock flexible hose, swivel and 2 check valves
- Rectangular slide bar
- Easy-Glide left cursor

FLOW

- 7.6 L/min, 60psi, 4 bar

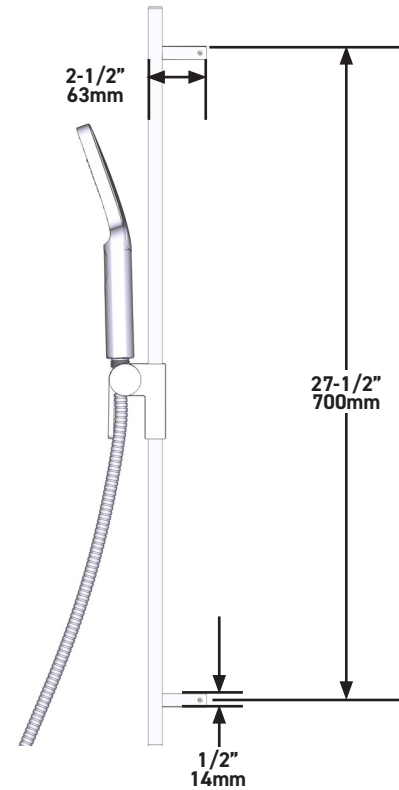
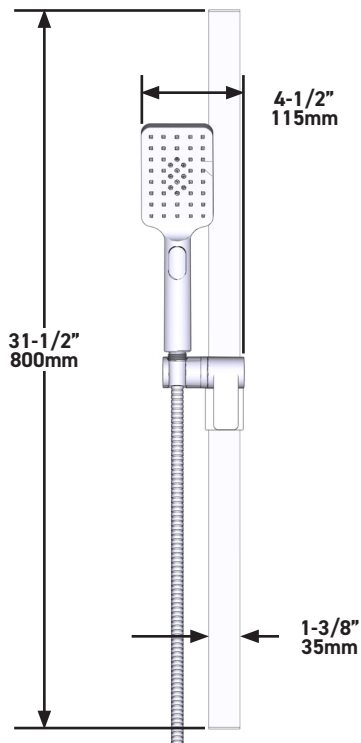
WARRANTY

- www.riobel.design



Shower Rail

MODELS: R4845-EM



+44 (0)1952 221 100
www.riobel.design

A DISTINCTIVE MEMBER OF THE HOUSE OF ROHL

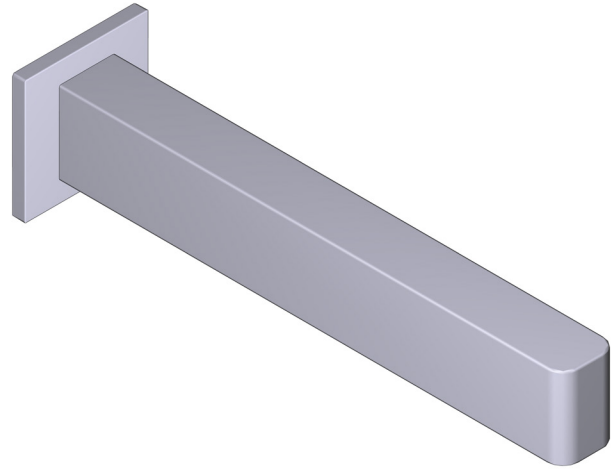
SPECIFICATIONS

DESCRIPTION

- G1/2" male connection
- Brass

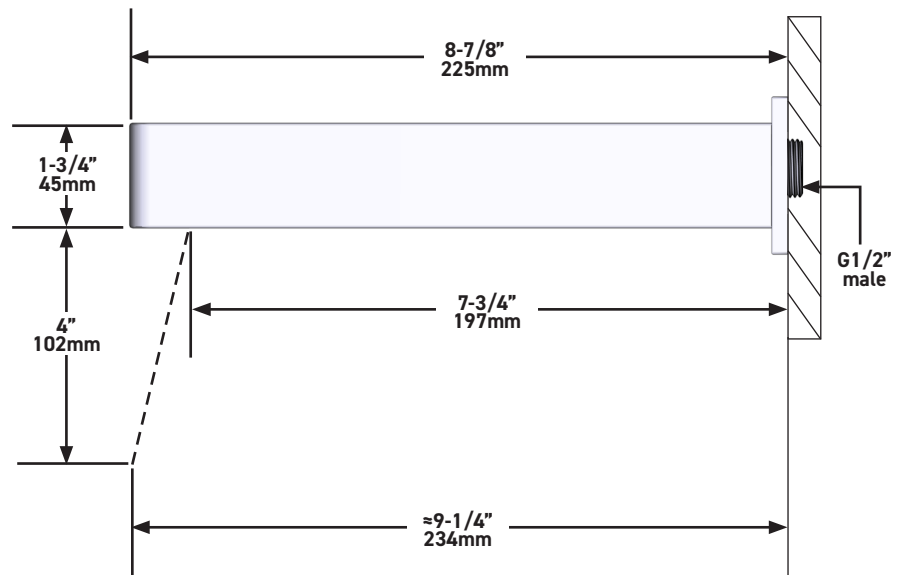
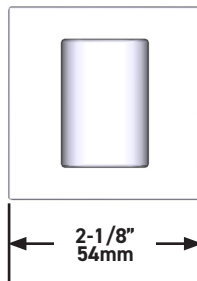
WARRANTY

- www.riobel.design



Wall-Mount Bath Spout

MODELS: PXTQ80-EM



+44 (0)1952 221 100
www.riobel.design

A DISTINCTIVE MEMBER OF THE HOUSE OF ROHL

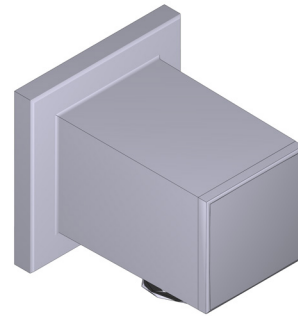
SPECIFICATIONS

DESCRIPTION

- G1/2" female inlet
- G1/2" shank supplied
- Adjustable depth
- G1/2" outlet male

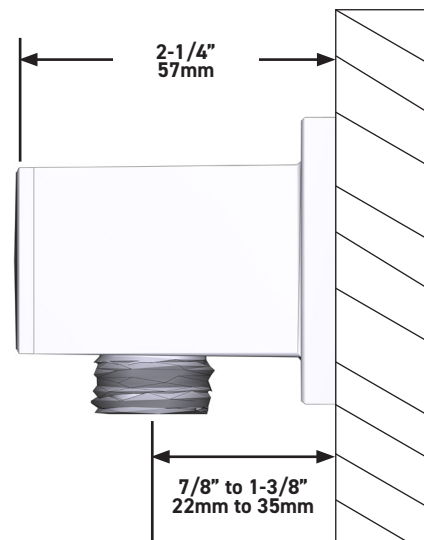
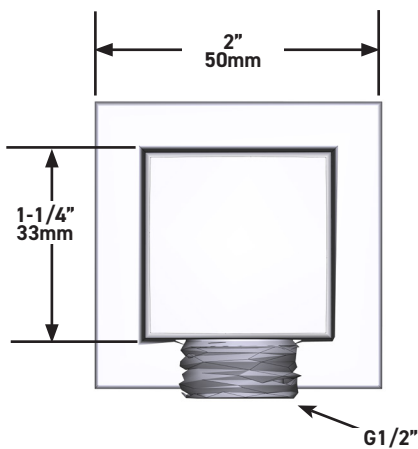
WARRANTY

- www.riobel.design



Elbow Supply

MODELS: R774-EM



+44 (0)1952 221 100
www.riobel.design

A DISTINCTIVE MEMBER OF THE HOUSE OF ROHL

TECHNISCHE DATEN

DAS DUSCHSYSTEM PARADOX 1244 ENTHÄLT

- TPXTQ44-EM - 2-Wege Einbau-Ventil T/P Sichtteil, beide Strahlarten gleichzeitig nutzbar
- R23-EM - 2-Wege Einbau-Ventil T/P UP-Teil
- R4845-EM - Brausestange
- PXTQ80-EM - Wanneneinlauf
- R774-EM - Wandanschlussbogen

GARANTIE

- www.riobel.design



KIT1244PXTQ-EM

+44 (0)1952 221 100
www.riobel.design

A DISTINCTIVE MEMBER OF THE HOUSE OF ROHL

TECHNISCHE DATEN

BESCHREIBUNG

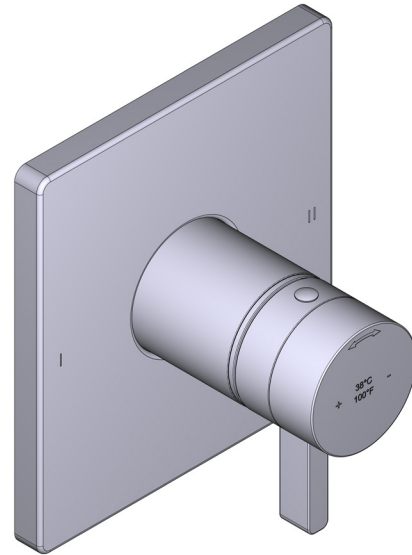
- Thermostat/Druckausgleichs-Kartusche mit Rückschlagventilen
- Nur Sichtteile
- R23-EM UP-Teil obligatorisch
- 3 Positionen (Aus, 1,2) nur einzeln nutzbar

DURCHFLUSSMENGE

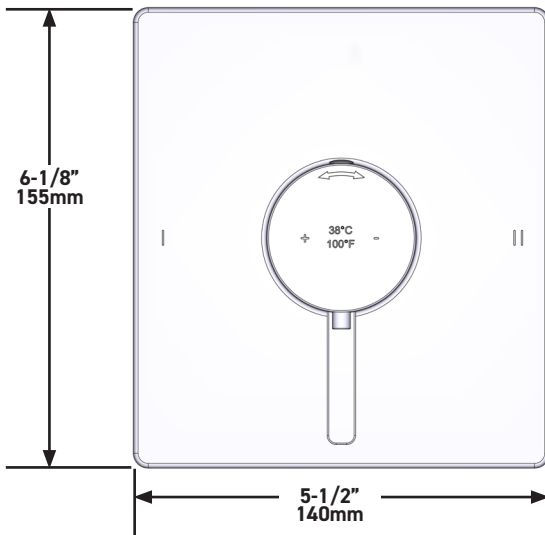
- 23 L/min, 60psi, 4 bar

GARANTIE

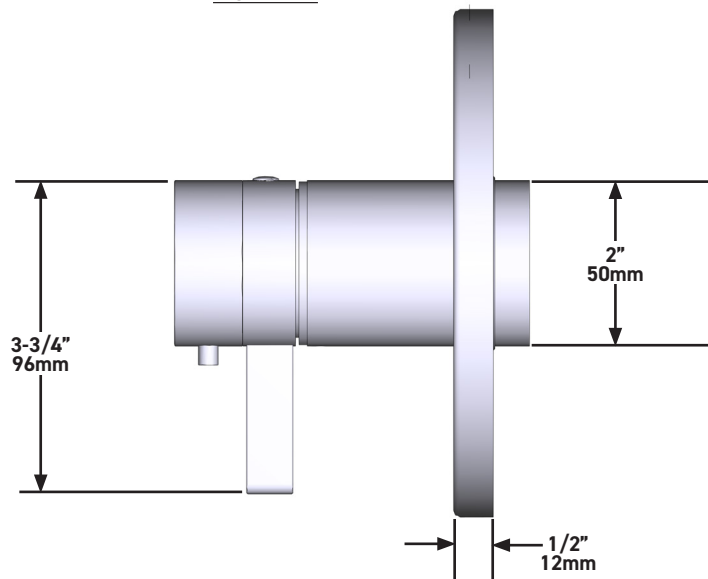
- www.riobel.design



2- Wege Einbau-Ventil T/P Sichtteil



MODELLE: TPXTQ44-EM



+44 (0)1952 221 100
www.riobel.design

A DISTINCTIVE MEMBER OF THE HOUSE OF ROHL

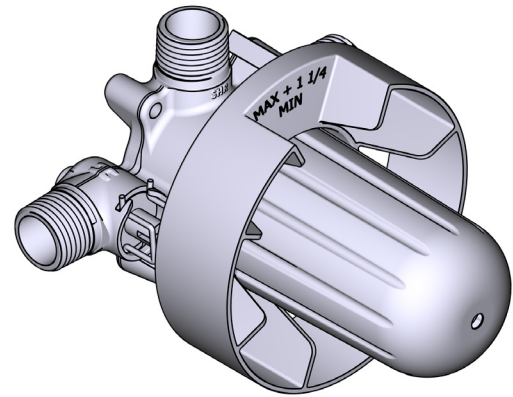
TECHNISCHE DATEN

BESCHREIBUNG

- Prüfkappe
- Service-Ventil
- G 1/2" Verbindung Aussengewinde
- 2 G 1/2" Aussengewindes
- TGS23-EM Zuschneiden erforderlich, um abzuschliessen
- Nur grob

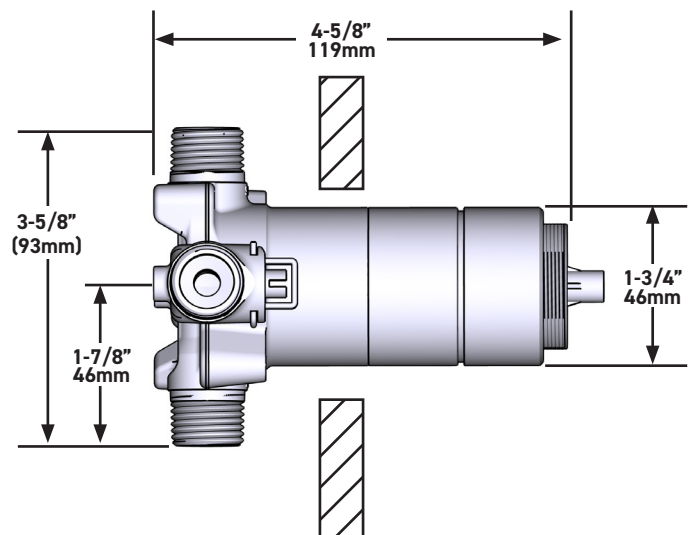
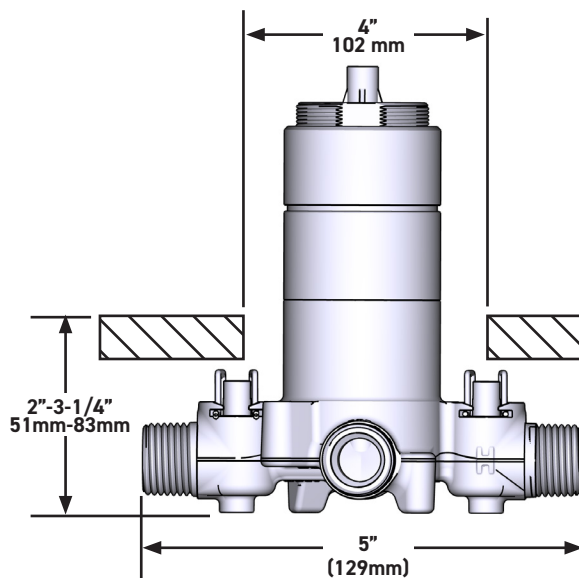
GARANTIE

- www.riobel.design



**2-Wege Einbau-Ventil T/P Sichtteil ,
beide Strahlarten gleichzeitig nutzbar**

MODELLE: R23-EM



+44 (0)1952 221 100
www.riobel.design

A DISTINCTIVE MEMBER OF THE HOUSE OF ROHL

TECHNISCHE DATEN

BESCHREIBUNG

- Easy-Clean-Noppen
- Zweistahl-Handbrause
- 150 cm flexibler, doppelwandiger Schlauch mit Drehgelenk und 2 Anschlüssen
- Brausestangenschieber
- "Easy-Glide" Brausehalter

DURCHFLUSSMENGE

- 7.6 L/min, 60psi, 4 bar

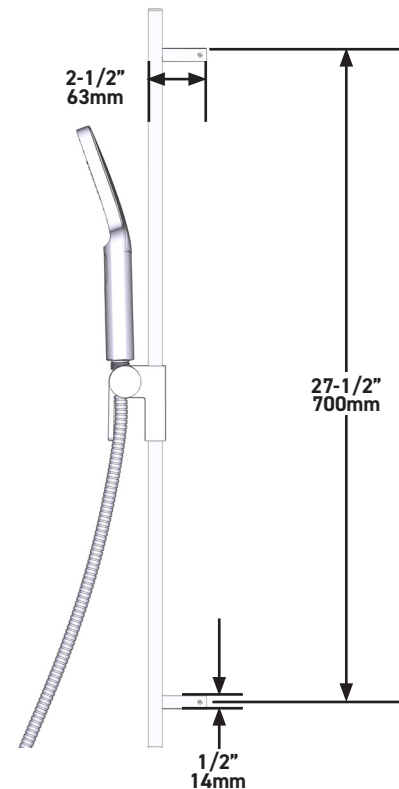
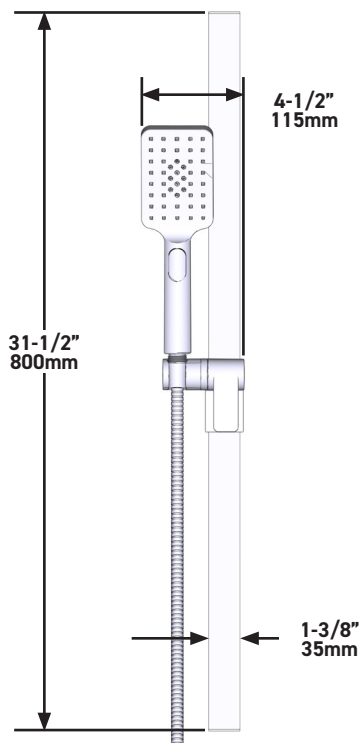
GARANTIE

- www.riobel.design



Brausestange

MODELLE: R4845-EM



+44 (0)1952 221 100
www.riobel.design

A DISTINCTIVE MEMBER OF THE HOUSE OF ROHL

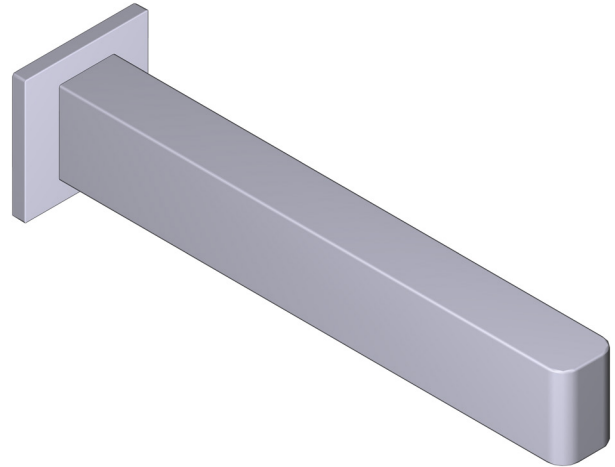
TECHNISCHE DATEN

BESCHREIBUNG

- G 1/2" Verbindung Aussengewinde
- Messing

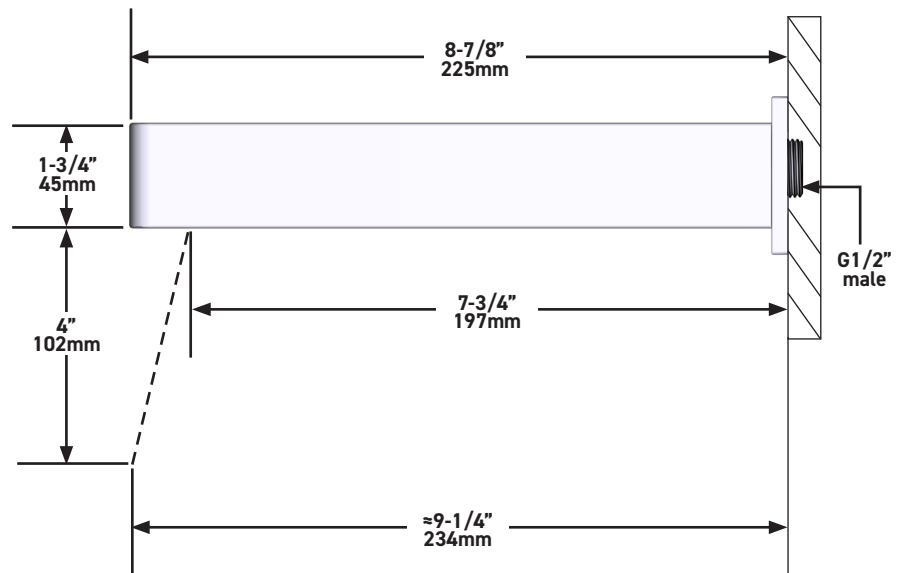
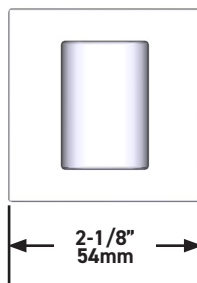
GARANTIE

- www.riobel.design



Wanneneinlauf

MODELLE: PXTQ80-EM



+44 (0)1952 221 100
www.riobel.design

A DISTINCTIVE MEMBER OF THE HOUSE OF ROHL

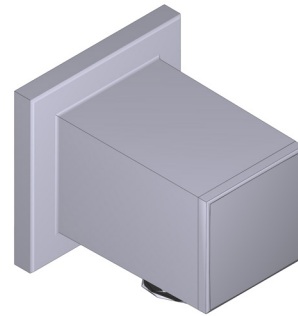
TECHNISCHE DATEN

BESCHREIBUNG

- G1/2" Einlass Innengewinde
- G1/2" Adapter im Lieferumfang
- Einstellbare Tiefe
- G1/2" Auslass Aussengewinde

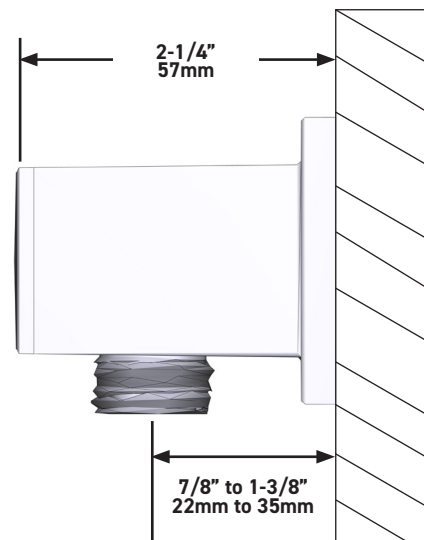
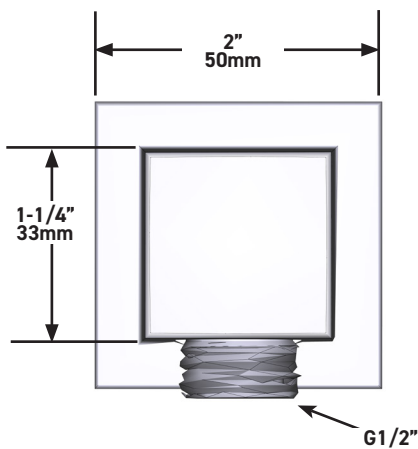
GARANTIE

- www.riobel.design



Wandanschlussbogen

MODELLE: R774-EM



+44 (0)1952 221 100
www.riobel.design

A DISTINCTIVE MEMBER OF THE HOUSE OF ROHL

CARACTÉRISTIQUES TECHNIQUES

LE KIT DE DOUCHE PARADOX 1244 COMPREND

- TPXTQ44-EM - Habillage pour corps à encastrer mitigeur thermostatique 2 voies non partagées (T/P : cartouche thermostatique coaxiale avec équilibrage de pression)
- R23-EM - Corps à encastrer pour mitigeur thermostatique 2 voies (Type T/P : cartouche thermostatique coaxiale avec équilibrage de pression)
- R4845-EM - Barre de douche
- PXTQ80-EM - Bec de baignoire
- R774-EM - Coude de raccordement mural

GARANTIE

- www.riobel.design



KIT1244PXTQ-EM

+44 (0)1952 221 100
www.riobel.design

A DISTINCTIVE MEMBER OF THE HOUSE OF ROHL

CARACTÉRISTIQUES TECHNIQUES

DESCRIPTION

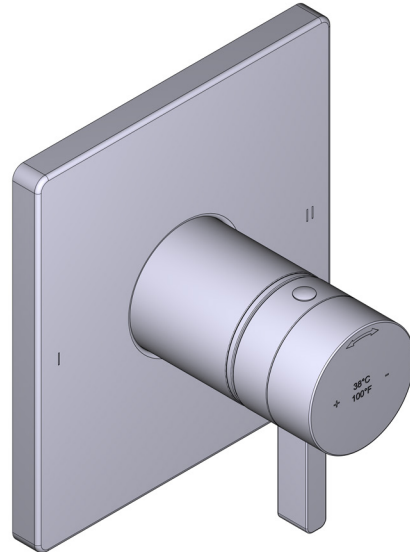
- Cartouche thermostatique coaxiale avec clapets anti-retour
- Plaque d'habillage seule
- R23-EM nécessite un corps d'encastrement pour compléter l'installation
- 3 positions (OFF, 1, 2) non partagées

DÉBIT

- 23 L/min, 60psi, 4 bar

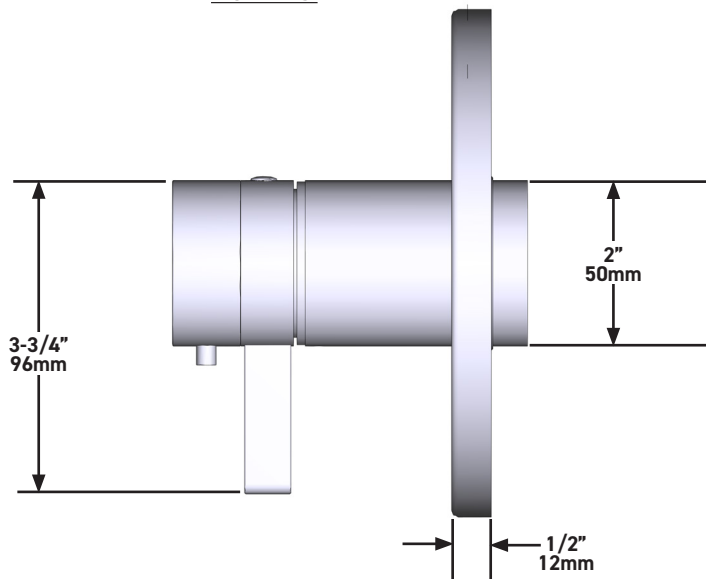
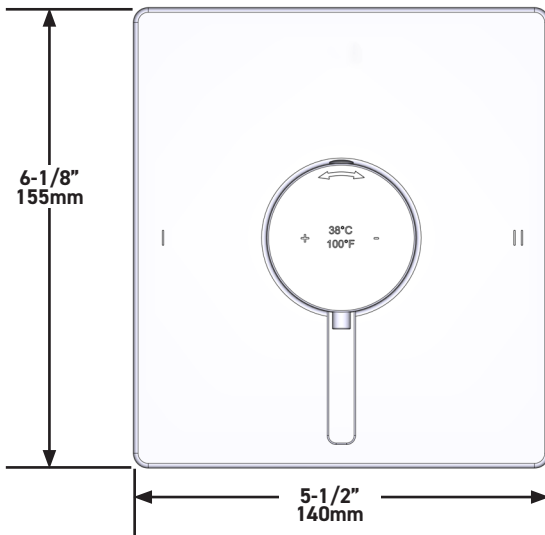
GARANTIE

- www.riobel.design



Habillage pour corps à encastrer mitigeur thermostatique 2 voies non partagées (T/P : cartouche thermostatique coaxiale avec équilibrage de pression)

MODÈLES: TPXTQ44-EM



+44 (0)1952 221 100
www.riobel.design

A DISTINCTIVE MEMBER OF THE HOUSE OF ROHL

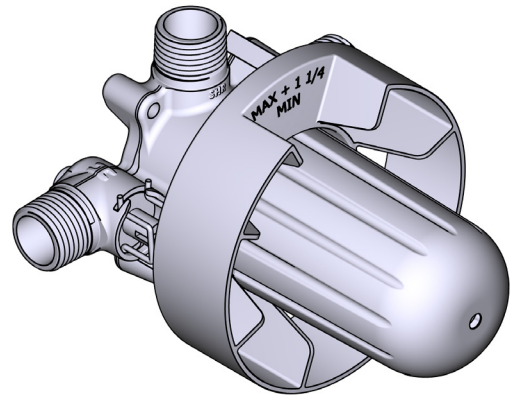
CARACTÉRISTIQUES TECHNIQUES

DESCRIPTION

- Bouchon pour essai
- Robinet d'arrêt
- Connexion mâle G1/2
- 2 G½" sorties
- TGS23-EM garniture requise pour terminer
- Rugueux seulement

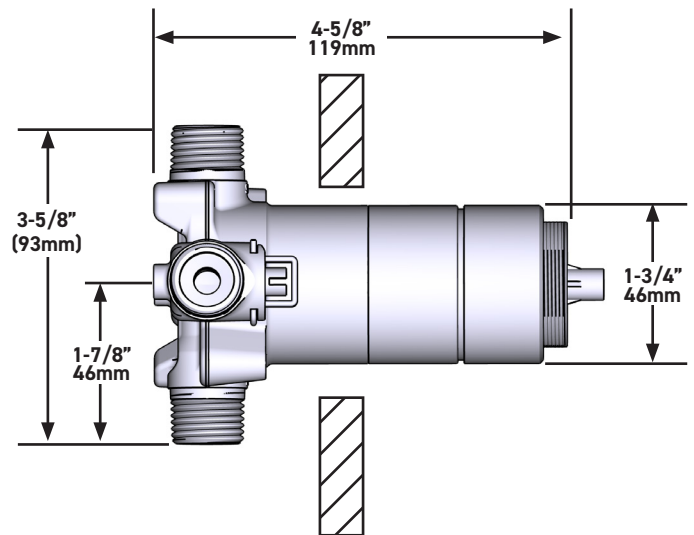
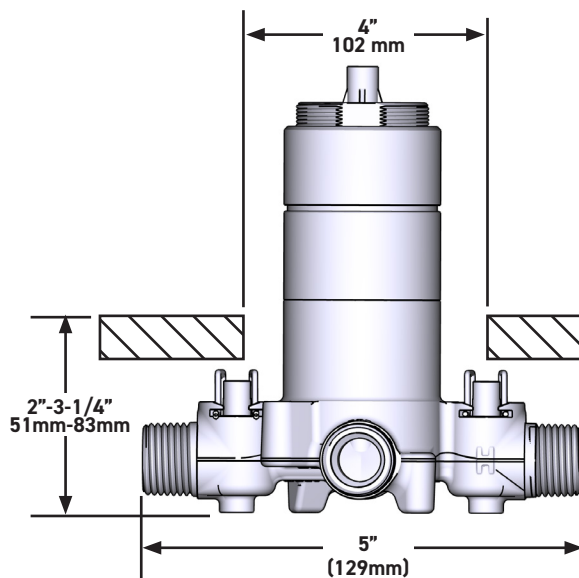
GARANTIE

- www.riobel.design



**Habillage pour corps à encastrer mitigeur
thermostatique 2 voies (T/P : cartouche
thermostatique coaxiale avec équilibrage
de pression)**

MODÈLES: R23-EM



+44 (0)1952 221 100
www.riobel.design

A DISTINCTIVE MEMBER OF THE HOUSE OF ROHL

CARACTÉRISTIQUES TECHNIQUES

DESCRIPTION

- Anticalcaire
- Douchette 2 jets
- Flexible de douche double agrafage de 150 cm.
Écrou tournant et 2 clapets anti-retour
- Barre de douche rectangulaire
- Support coulissant, système "Easy Glide"

DÉBIT

- 7.6 L/min, 60psi, 4 bar

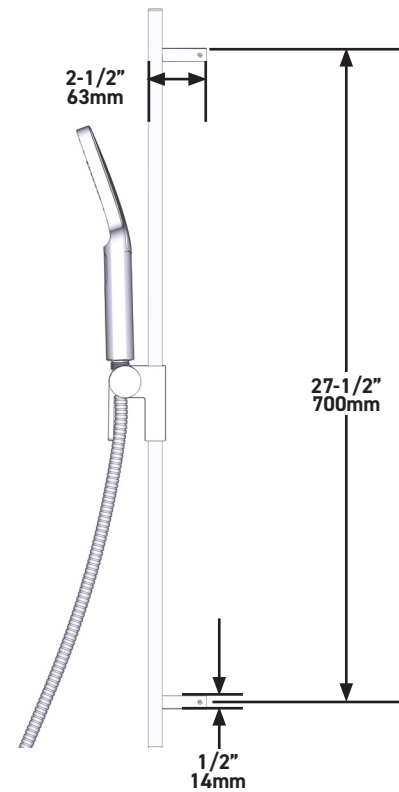
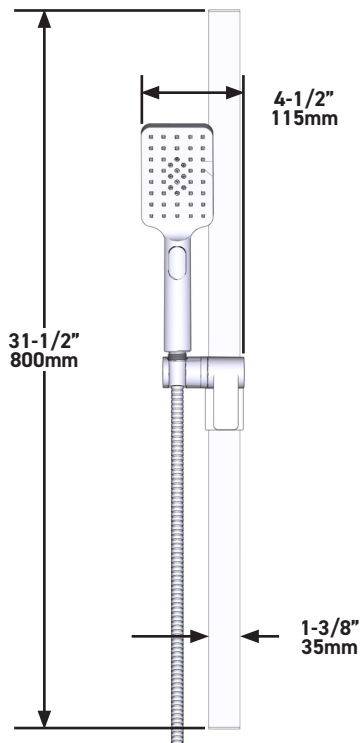
GARANTIE

- www.riobel.design



Barre de douche

MODÈLES: R4845-EM



+44 (0)1952 221 100
www.riobel.design

A DISTINCTIVE MEMBER OF THE HOUSE OF ROHL

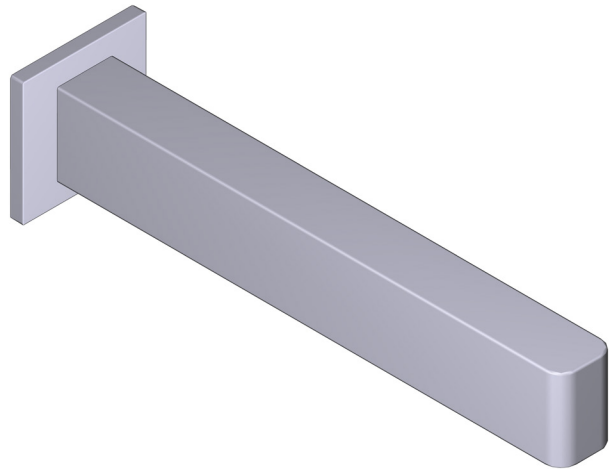
CARACTÉRISTIQUES TECHNIQUES

DESCRIPTION

- Connexion mâle G1/2
- Laiton

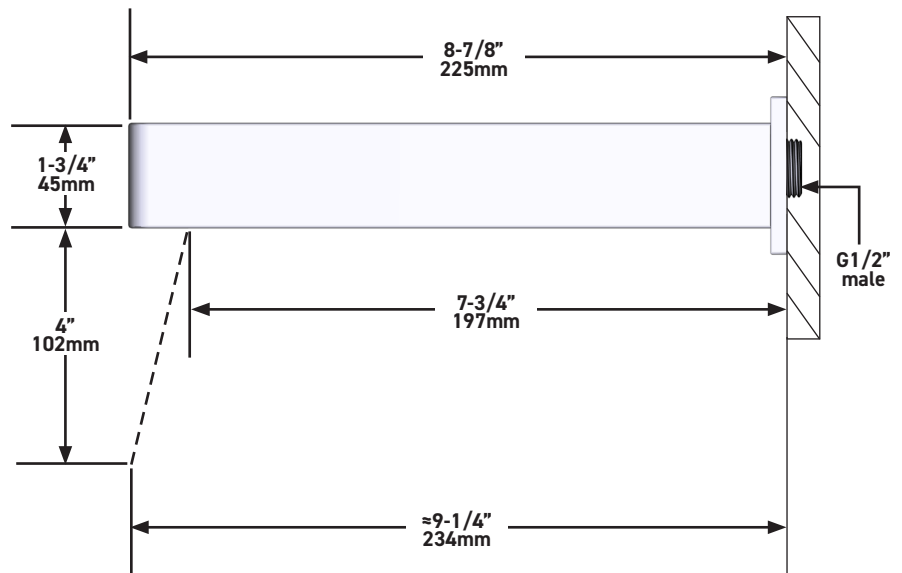
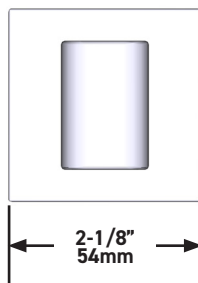
GARANTIE

- www.riobel.design



Bec de baignoire

MODÈLES: PXTQ80-EM



+44 (0)1952 221 100
www.riobel.design

A DISTINCTIVE MEMBER OF THE HOUSE OF ROHL

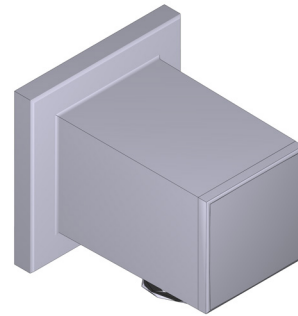
CARACTÉRISTIQUES TECHNIQUES

DESCRIPTION

- Entrée G1/2" femelle
- Raccord mâle-femelle G1/2"
- Profondeur réglable
- Sortie G1/2" mâle

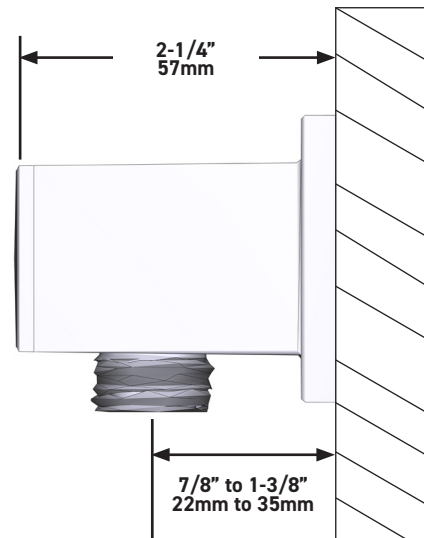
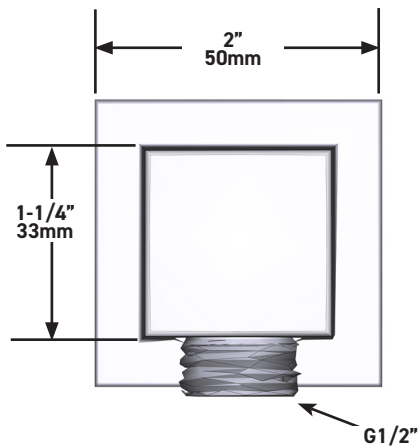
GARANTIE

- www.riobel.design



Coude de raccordement mural

MODÈLES: R774-EM



+44 (0)1952 221 100
www.riobel.design

A DISTINCTIVE MEMBER OF THE HOUSE OF ROHL

SPECIFICHE

IL KIT DOCCIA PARADOX 1244 INCLUDE

- TPXTQ44-EM - Valvola coassiale 2 vie di tipo T/P parte esterna
- R23-EM - Valvola coassiale 2 vie di tipo T/P parte interna
- R4845-EM - Asta doccia
- PXTQ80-EM - Bocca di erogazione per vasca da bagno
- R774-EM - Raccordo a gomito

GARANZIA

- www.riobel.design



KIT1244PXTQ-EM

+44 (0)1952 221 100
www.riobel.design

A DISTINCTIVE MEMBER OF THE HOUSE OF ROHL

SPECIFICHE

DESCRIZIONE

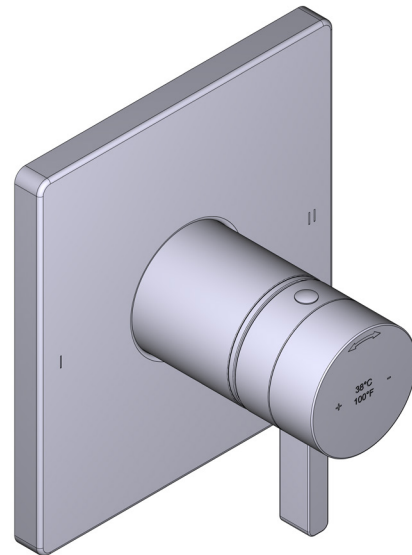
- Cartuccia coassiale con valvole di controllo Termostatica/pressione
- Solo parte esterna
- Parte interna necessaria per R23-EM
- 3 posizioni (off, 1,2), non utilizzabili contemporaneamente

FLUSSO

- 23 L/min, 60psi, 4 bar

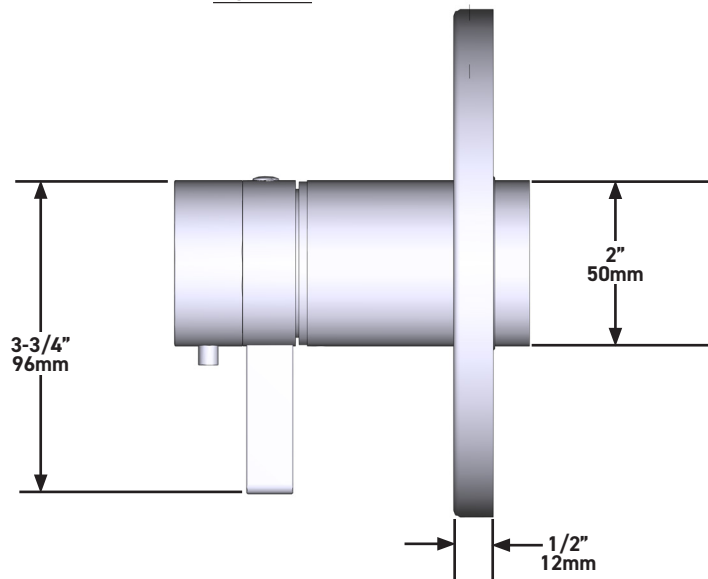
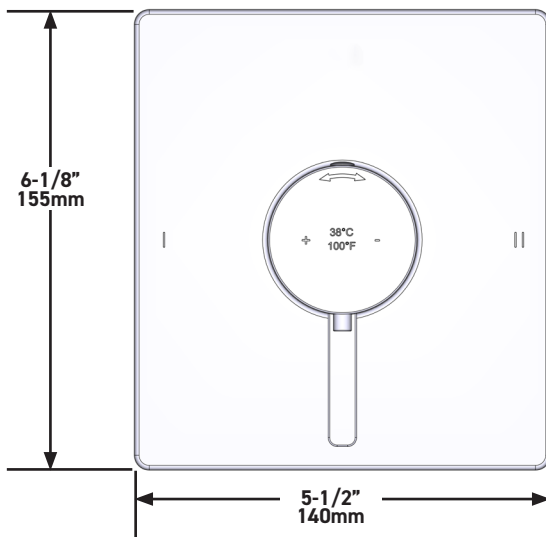
GARANZIA

- www.riobel.design



Valvola coassiale 2 vie di tipo T/P selezione alternata

MODELLI: TPXTQ44-EM



+44 (0)1952 221 100
www.riobel.design

A DISTINCTIVE MEMBER OF THE HOUSE OF ROHL

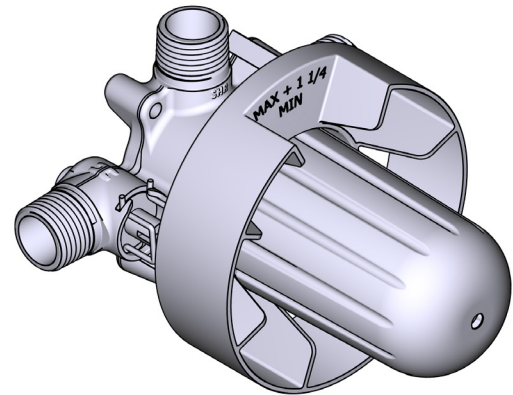
SPECIFICHE

DESCRIZIONE

- Tappo di sicurezza
- Valvola di servizio
- G1/2" congiunzione maschio
- Two G½" uscite
- TGS23-EM trim necessario per completare
- Solo ruvido

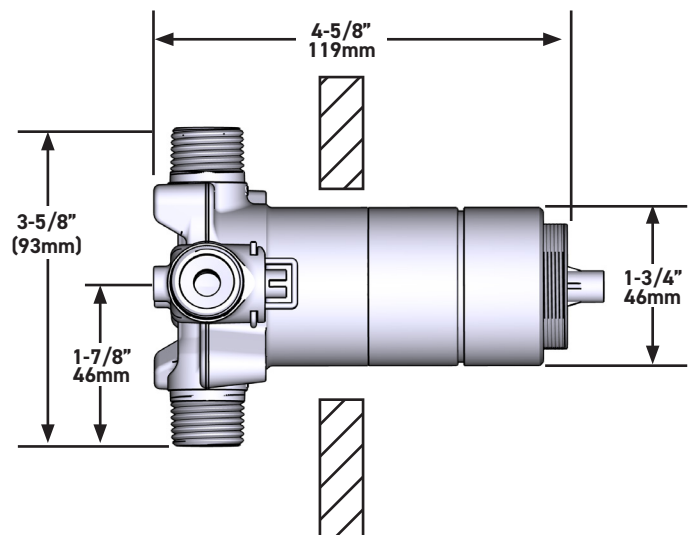
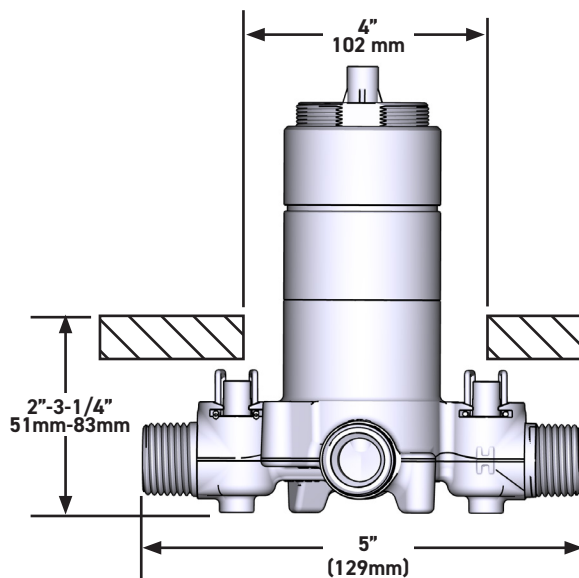
GARANZIA

- www.riobel.design



Valvola coassiale 2 vie di tipo T/P parte esterna

MODELLI: R23-EM



+44 (0)1952 221 100
www.riobel.design

A DISTINCTIVE MEMBER OF THE HOUSE OF ROHL

SPECIFICHE

DESCRIZIONE

- Ugelli facili da pulire
- Doccetta con doppio getto
- Tubo flessibile doccia 150cm con snodo e 2 valvole
- Asta doccia rettangolare
- Cursore sinistro Easy-Glide

FLUSSO

- 7.6 L/min, 60psi, 4 bar

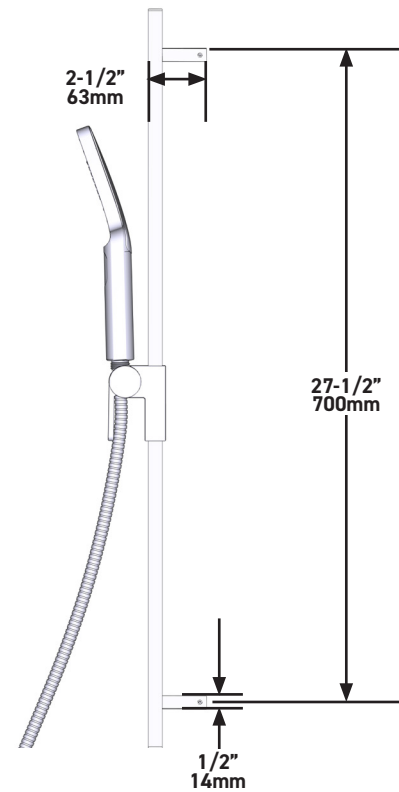
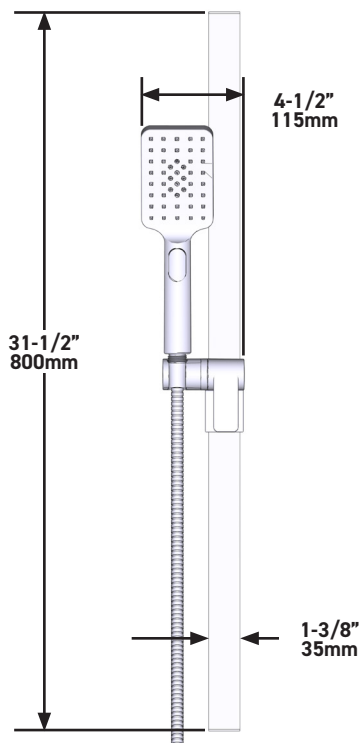
GARANZIA

- www.riobel.design



Asta doccia

MODELLI: R4845-EM



+44 (0)1952 221 100
www.riobel.design

A DISTINCTIVE MEMBER OF THE HOUSE OF ROHL

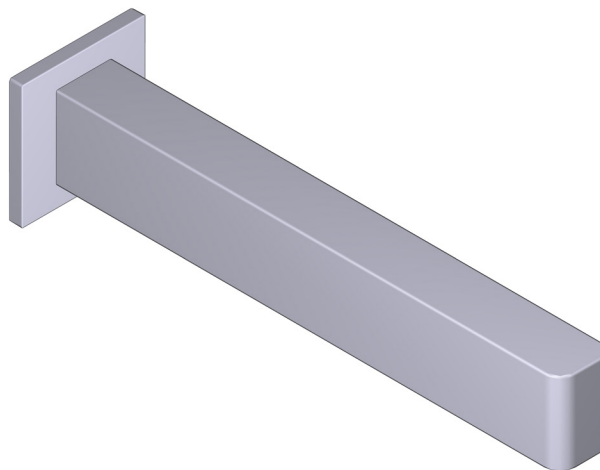
SPECIFICHE

DESCRIZIONE

- G1/2" congiunzione maschio
- Cromato

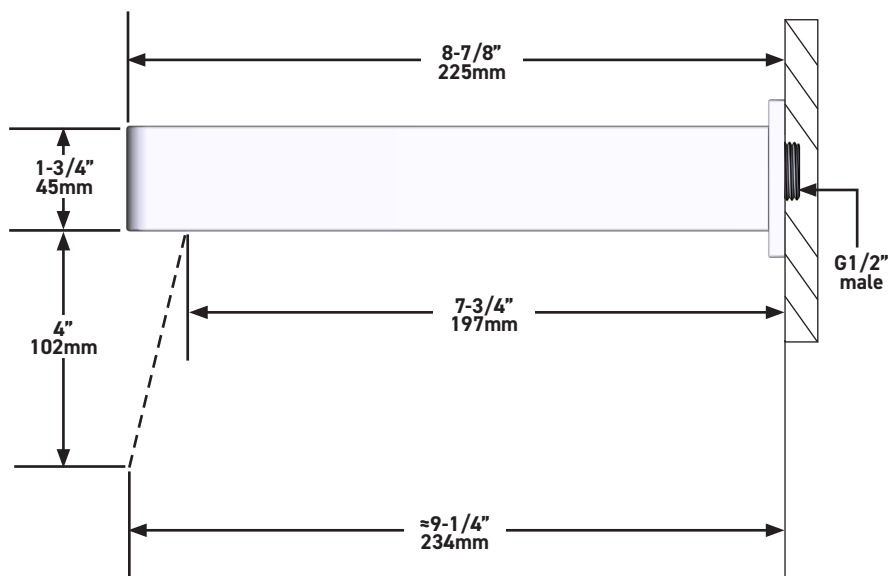
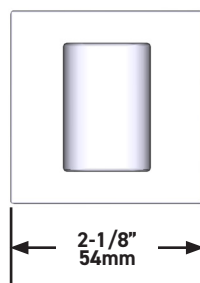
GARANZIA

- www.riobel.design



Bocca di erogazione per vasca da bagno

MODELLI: PXTQ80-EM



+44 (0)1952 221 100
www.riobel.design

A DISTINCTIVE MEMBER OF THE HOUSE OF ROHL

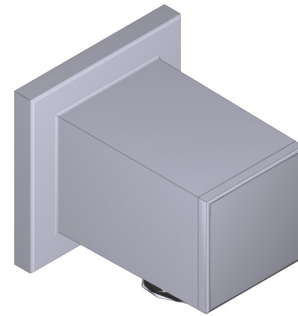
SPECIFICHE

DESCRIZIONE

- G1/2" ingresso femmina
- Attacco G1/2" in dotazione
- Profondità variabile
- G1/2" uscita maschio

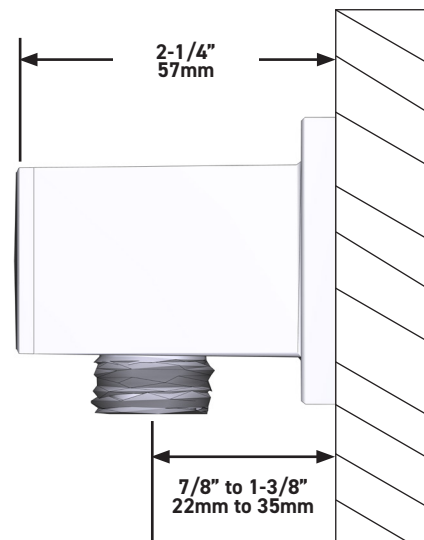
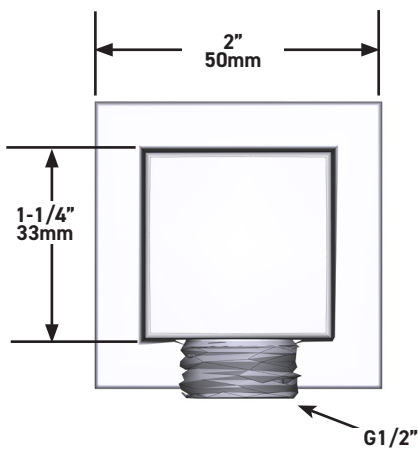
GARANZIA

- www.riobel.design



Raccordo a gomito

MODELLI: R774-EM



+44 (0)1952 221 100
www.riobel.design

A DISTINCTIVE MEMBER OF THE HOUSE OF ROHL

CARACTERÍSTICAS TÉCNICAS

EL KIT DE DUCHA PARADOX 1244 INCLUYE

- TPXTQ44-EM - Conjunto embellecedor para cuerpo termostático de 2 vías no compartidas (T/P: cartucho termostático coaxial con equilibrador de presión)
- R23-EM - Cuerpo empotrado para mezclador termostático de 2 vías (tipo T/P: cartucho termostático coaxial con equilibrador de presión)
- R4845-EM - Barra de ducha
- PXTQ80-EM - Caño de bañera
- R774-EM - Codo de salida de pared

GARANTÍA

- www.riobel.design



KIT1244PXTQ-EM

+44 (0)1952 221 100
www.riobel.design

A DISTINCTIVE MEMBER OF THE HOUSE OF ROHL

CARACTERÍSTICAS TÉCNICAS

DESCRIPCIÓN

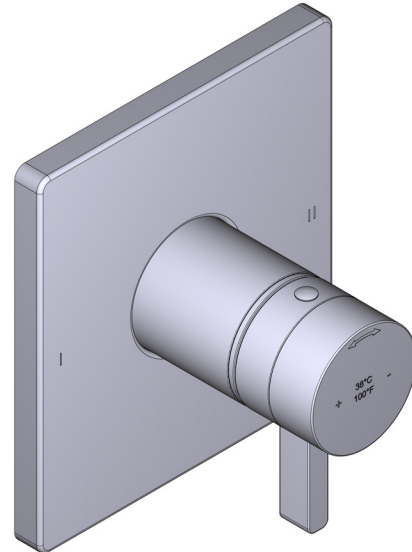
- Cartucho termostático coaxial con válvulas anti retorno
- Solo placa embellecedora
- R23-EM cuerpo empotrado requerido para completar la instalación
- 3 posiciones (OFF, 1, 2) no compartidas

Caudal

- 23 L/min, 60psi, 4 bar

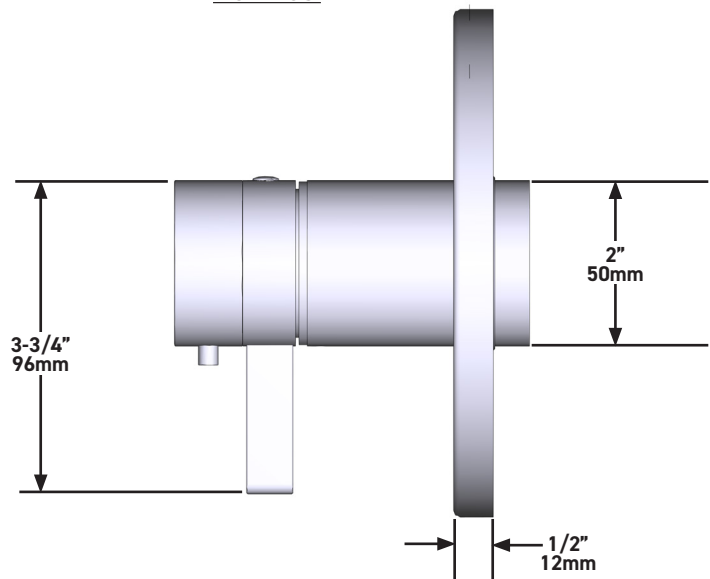
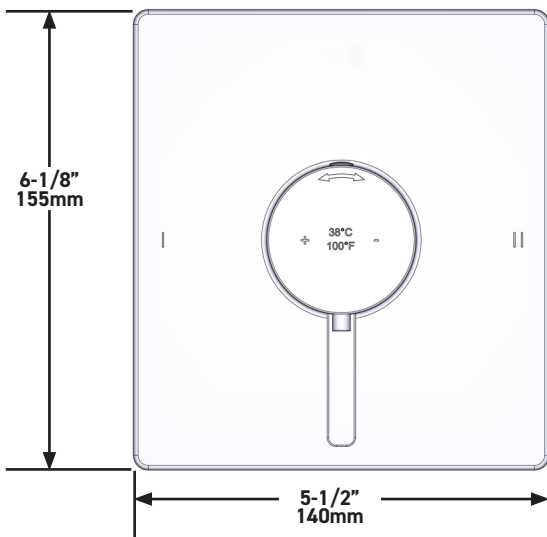
GARANTÍA

- www.riobel.design



Conjunto embellecedor para cuerpo termostático de 2 vías no compartidas (T/P: cartucho termostático coaxial con equilibrador de presión)

MODELOS: TPXTQ44-EM



+44 (0)1952 221 100
www.riobel.design

A DISTINCTIVE MEMBER OF THE HOUSE OF ROHL

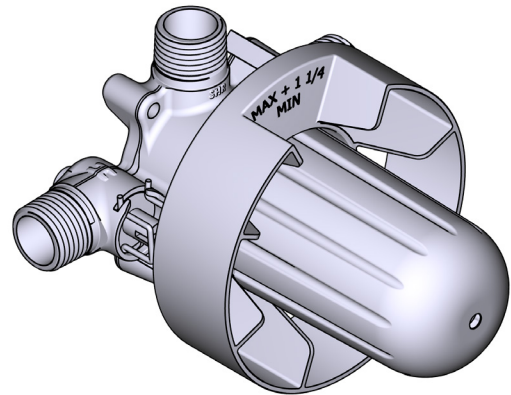
CARACTERÍSTICAS TÉCNICAS

DESCRIPCIÓN

- Tapón de prueba
- Llave de paso
- Conexión macho G1/2"
- Two G½" salidas
- TGS23-EM recorte requerido para completar
- Solo áspero

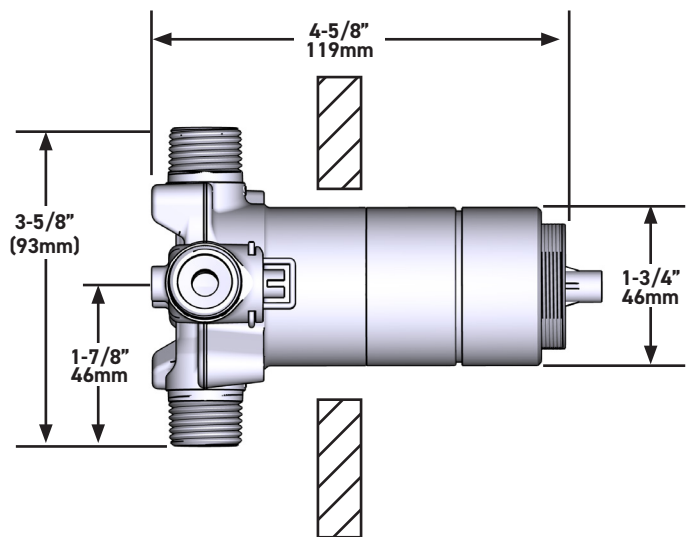
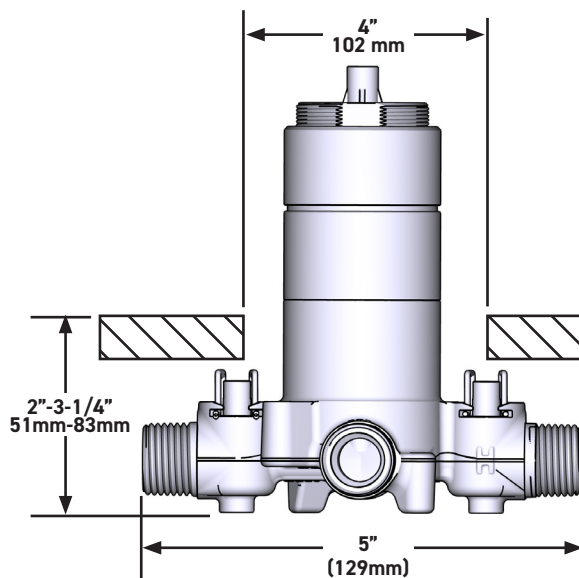
GARANTÍA

- www.riobel.design



Conjunto embellecedor para cuerpo termostático de 2 vías (T/P: cartucho termostático coaxial con equilibrador de presión)

MODELOS: R23-EM



+44 (0)1952 221 100
www.riobel.design

A DISTINCTIVE MEMBER OF THE HOUSE OF ROHL

CARACTERÍSTICAS TÉCNICAS

DESCRIPCIÓN

- Anticalcárea
- Ducha de mano 2 jets
- Flexo de ducha reforzado de 150 cm. Tuerca giratoria y 2 válvulas anti retorno
- Barra de douche rectangular
- Soporte deslizante, sistema "Easy Glide"

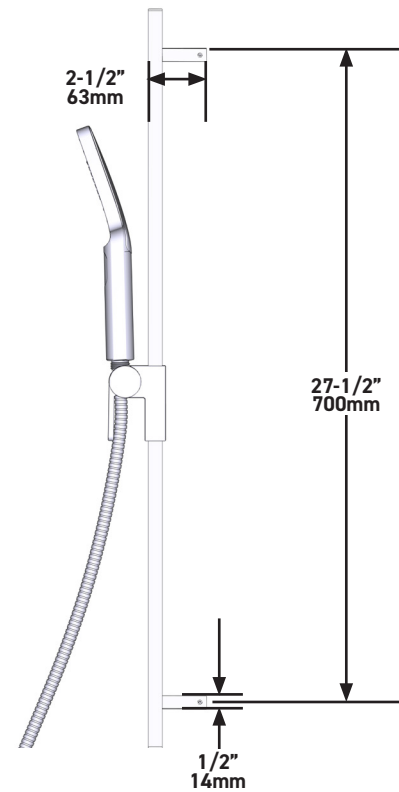
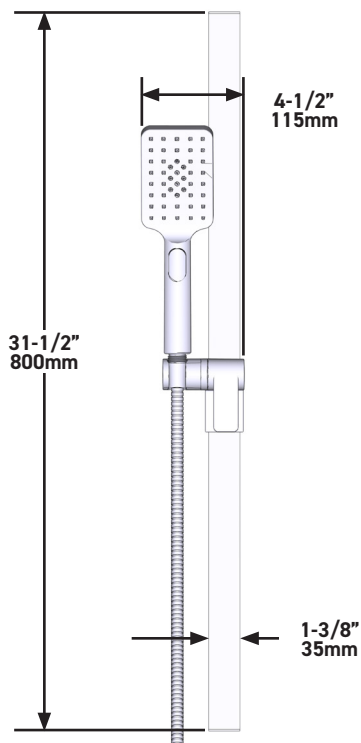
Caudal

- 7.6 L/min, 60psi, 4 bar



Barra de ducha

MODELOS: R4845-EM



+44 (0)1952 221 100
www.riobel.design

A DISTINCTIVE MEMBER OF THE HOUSE OF ROHL

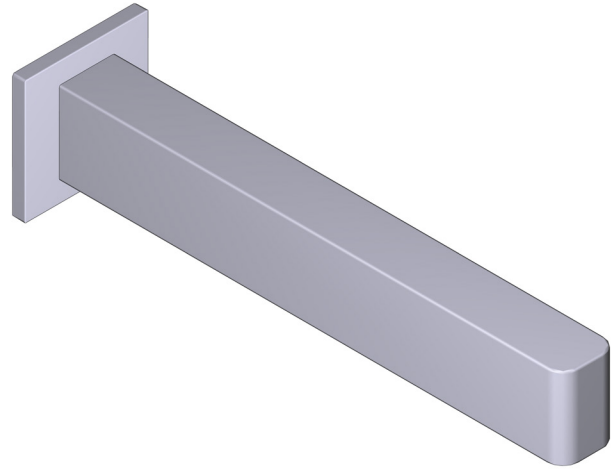
CARACTERÍSTICAS TÉCNICAS

DESCRIPCIÓN

- Conexión macho G1/2"
- Latón

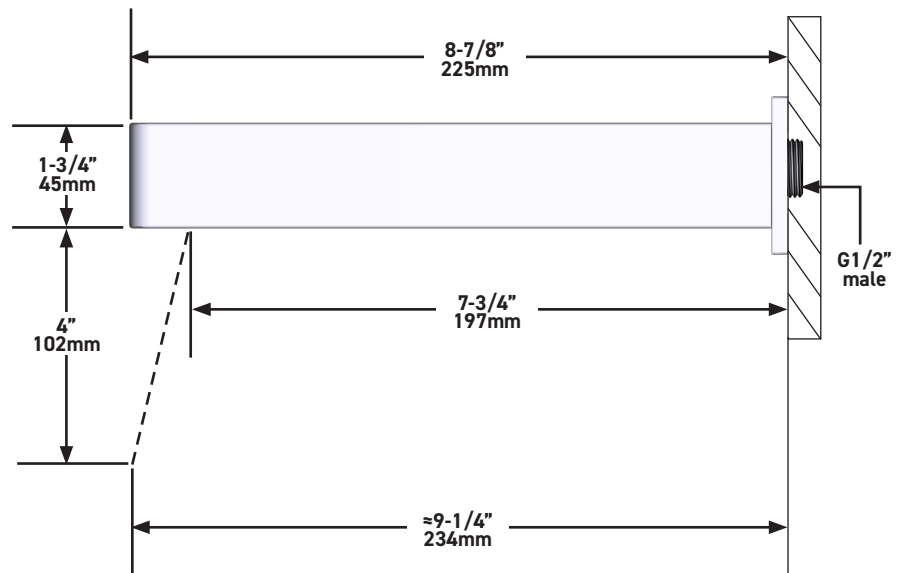
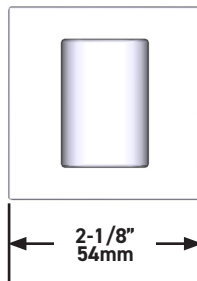
GARANTÍA

- www.riobel.design



Caño de bañera

MODELOS: PXTQ80-EM



+44 (0)1952 221 100
www.riobel.design

A DISTINCTIVE MEMBER OF THE HOUSE OF ROHL

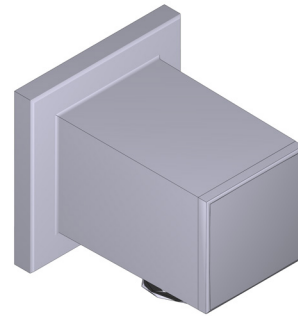
CARACTERÍSTICAS TÉCNICAS

DESCRIPCIÓN

- Entrada hembra G1/2"
- Racor macho-hembra G1/2"
- Profundidad regulable
- Salida macho G1/2"

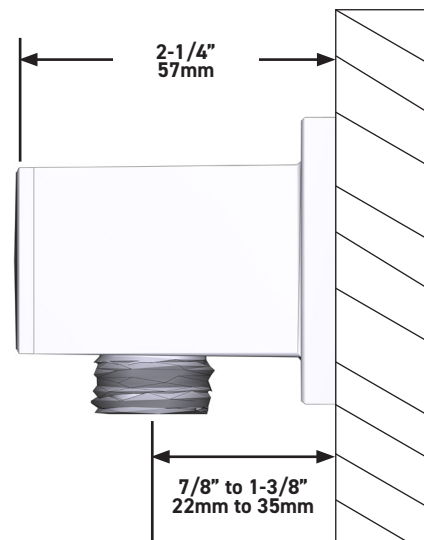
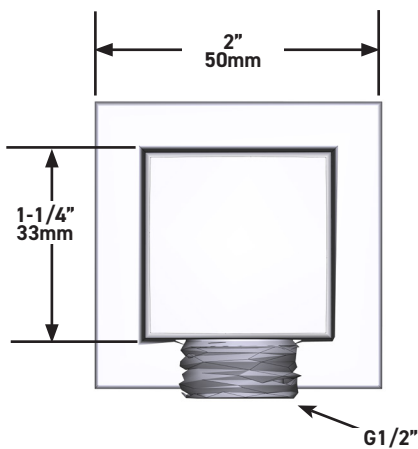
GARANTÍA

- www.riobel.design



Codo de salida de pared

MODELOS: R774-EM



+44 (0)1952 221 100
www.riobel.design

A DISTINCTIVE MEMBER OF THE HOUSE OF ROHL