

Measurements in millimetres mm

Information updated April 2019

Tel 0345 873 8840

crosswater™

## GLIDE II Wall Hung WC



### TECHNICAL DATA

**CODE No** WHITE GL6116CW

**Seat required** GL6105W

**Recommended use** Domestic, hotel, residential

**WC Type** Wall Hung

**Rim type** Rimless

**Material** Vitreous China

**Outlet** Horizontal, vertical 235mm

**Flush** Washdown 4.5/3l dual flush

**Standards** EN997-CL2-4.5/3l

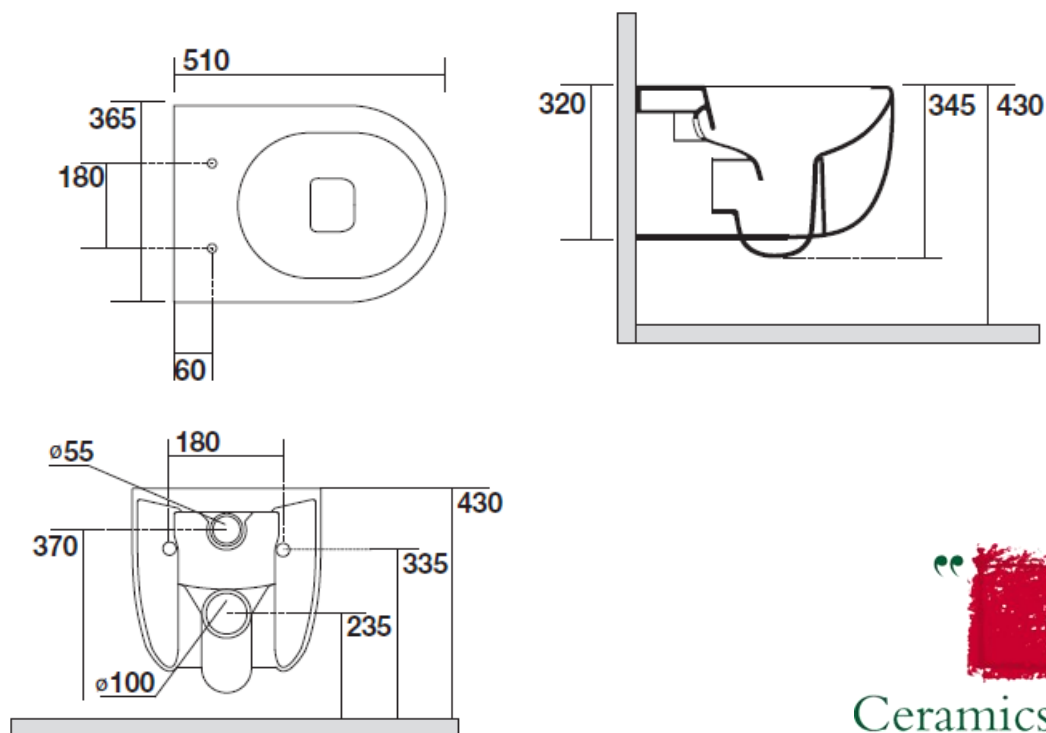
**Fixing** Wall fixings included, spares code FX6006EA3

**Weight** WC 22kg; Seat 3.5kg

**Warranty** 15 years on ceramic

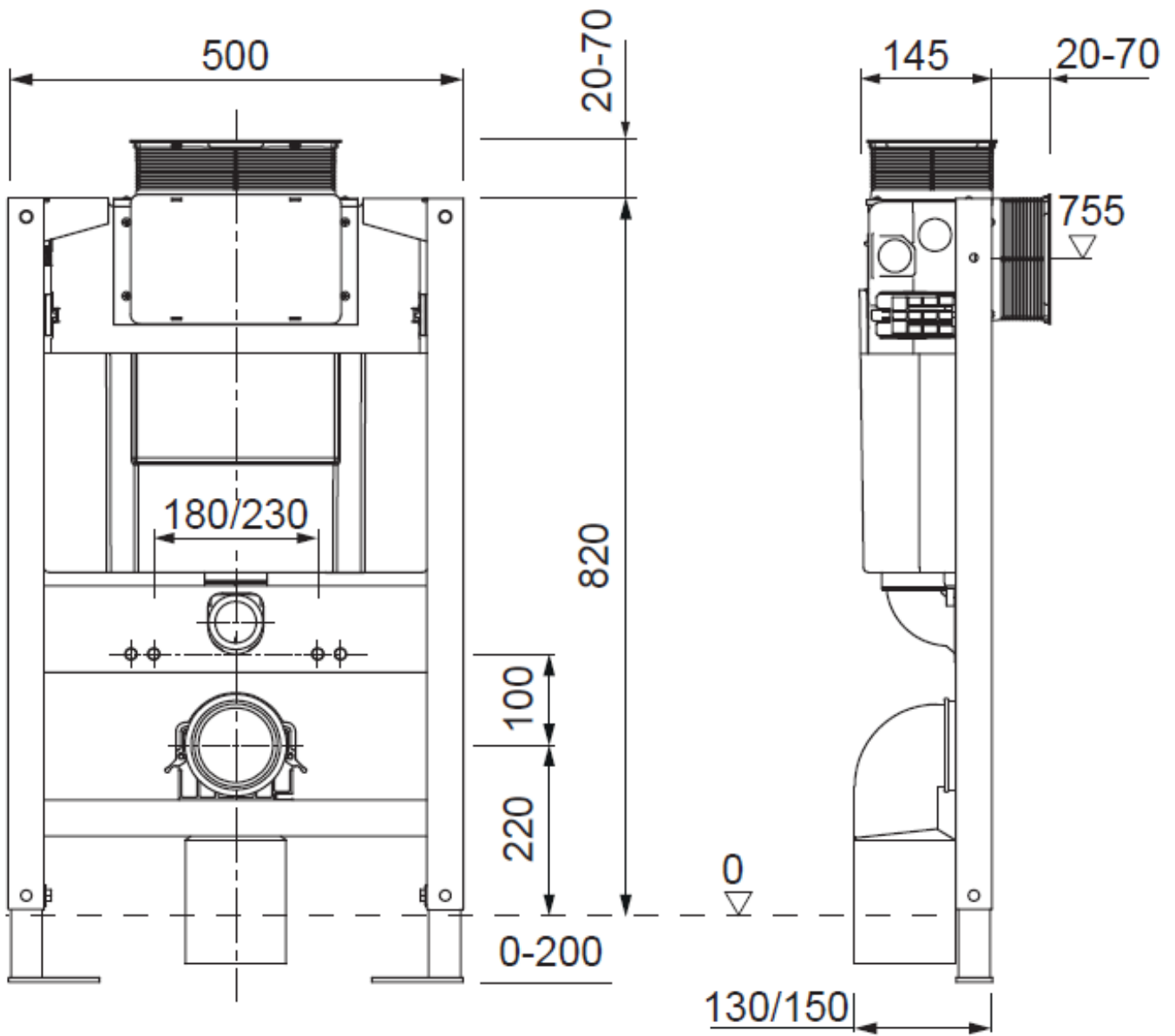
### SPECIFICATION

Wall hung washdown WC pan  
EN 997-CL2-4.5/3l, EN 33, dimensions w 365 x h 345 x d 510 mm  
Horizontal outlet,  
Fully back to wall, concealed trap, concealed fittings  
Special feature: concealed surfaces directing water are fully glazed  
throughout, no rim, vacuum checked



“  
Ceramics of Italy  
”

Measurements in millimetres mm  
Information updated January 2016  
tel 0345 873 8840



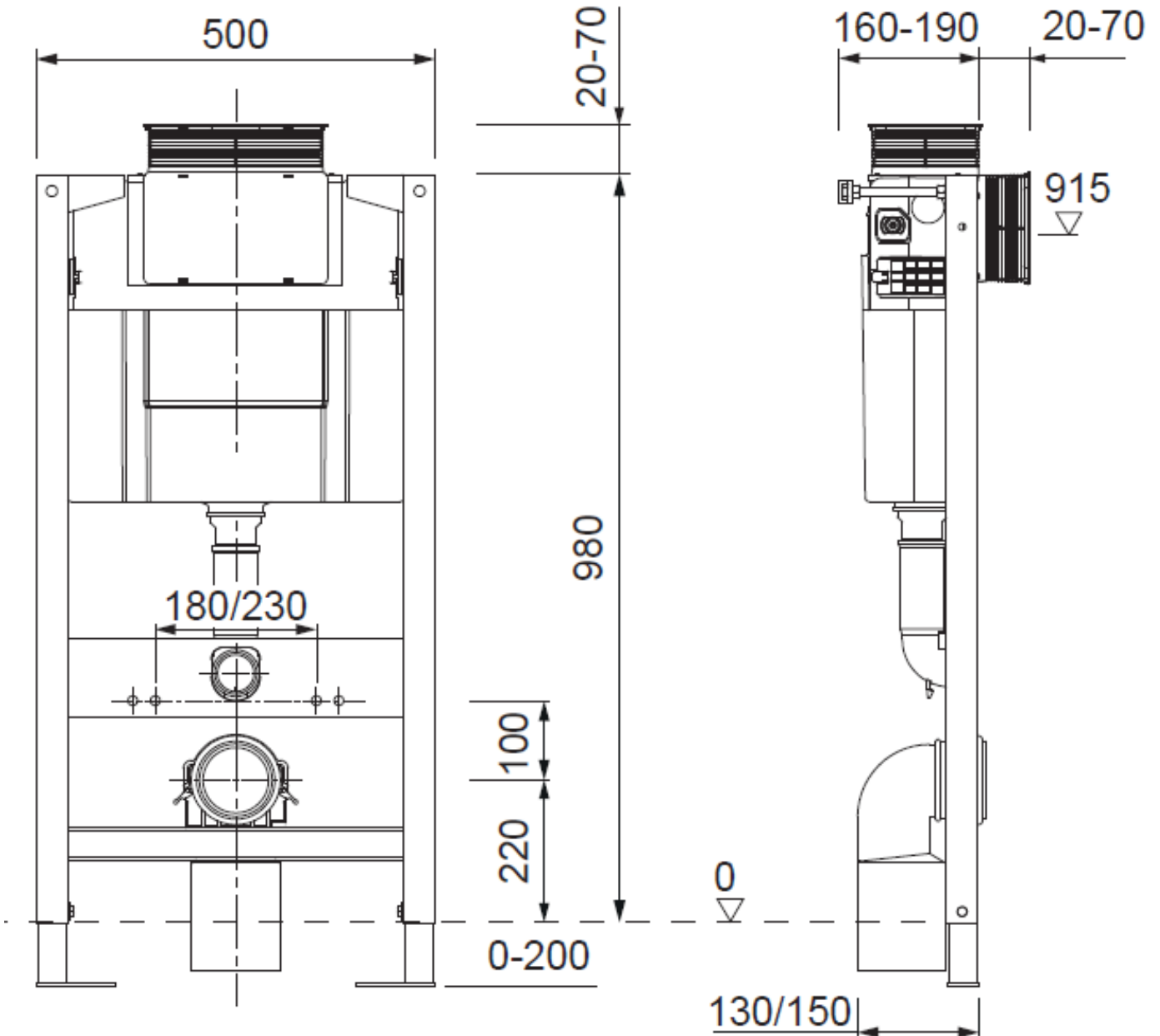
bauhaus<sup>™</sup>

0.82m WC Frame Support and cistern

Floor Mounted

WCF82X50+

Measurements in millimetres mm  
Information updated January 2016  
Tel 0345 873 8840



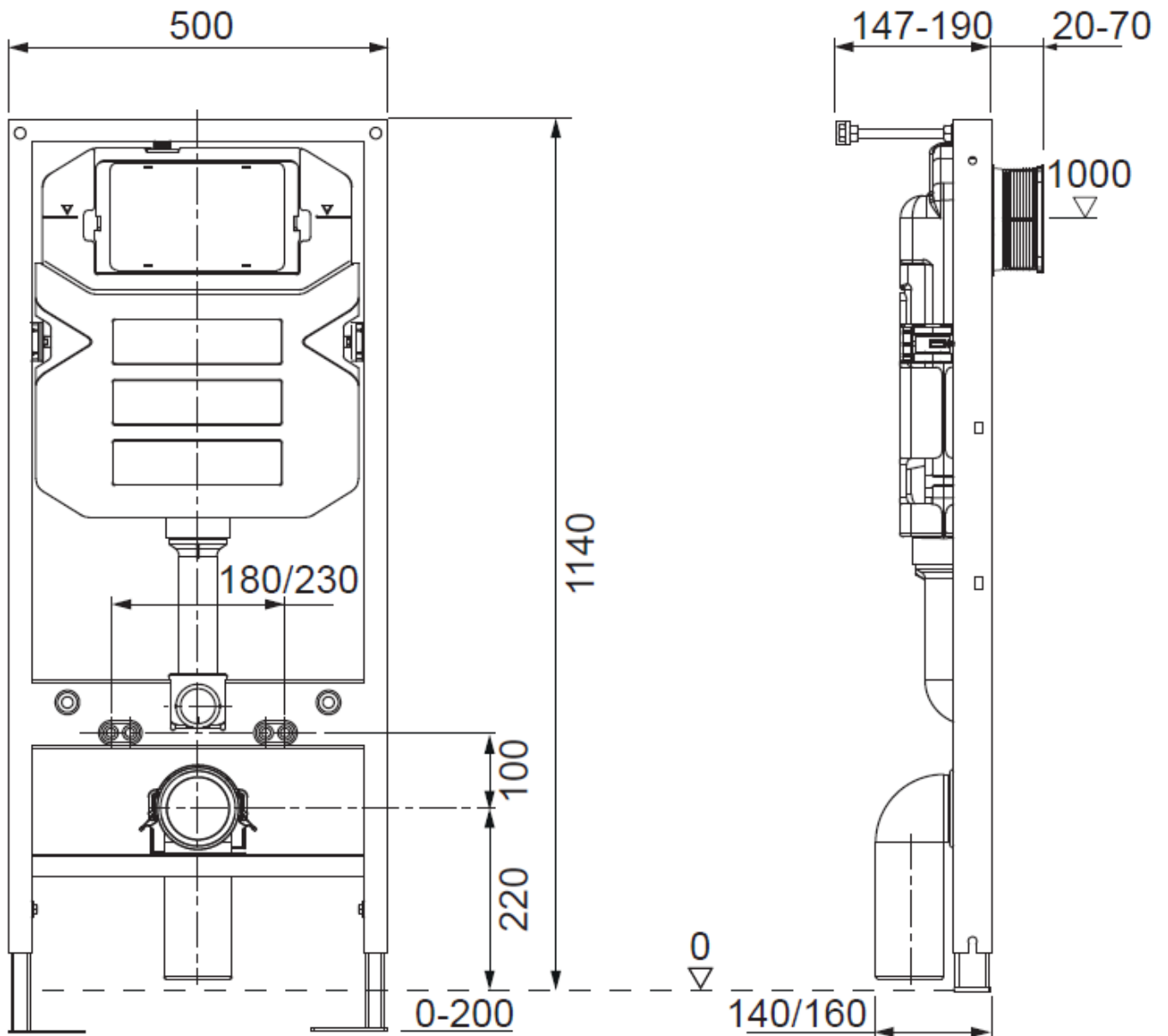
bauhaus<sup>™</sup>

0.98m WC Frame Support and cistern

Floor Mounted

WCF98X50+

Measurements in millimetres mm  
Information updated January 2016  
tel 0345 873 8840



bauhaus<sup>™</sup>

1.18m WC Frame Support and cistern

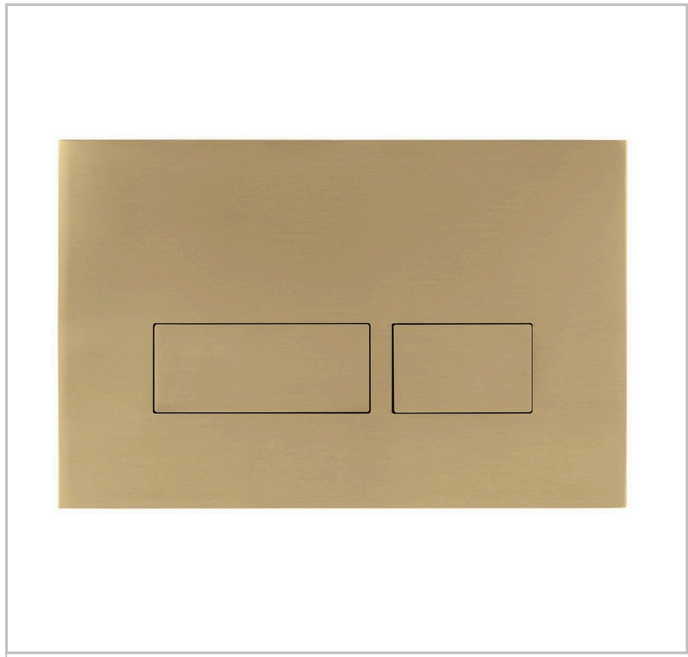
Floor Mounted

WCF118X50+

RANGE	INSTALLATION TYPE	PRODUCT DESCRIPTION
MPro	Wall	Flush plate

CODE			
PROFLUSHF			

FINISH	APPLICATION	MIN PRESSURE
Brushed Brass	PVD	Na



HEADWORK	Na
CONNECTIONS	Na
UK APPROVALS	Na
OTHER APPROVALS	Na
WARRANTY*	5 Years

