

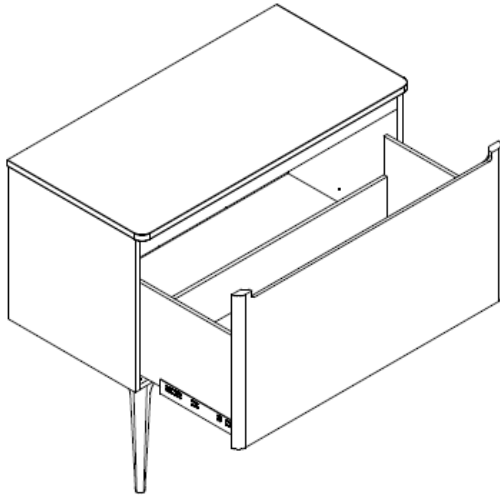
Measurements in millimetres mm

Information updated May 2021

Tel 0345 873 8840

crosswater[™]

ARTIST 1000mm FURNITURE



TECHNICAL DATA

CODE No UNIT ART1000DXX
Required Solid Oak worktop ART1010TOAK

Recommended use: Domestic, residential
Dimension Unit w 1000 x d 500 x h 500mm wall hung
w 1000 x d 500 x h 850mm no top
w 1000 x d 500 x h 870mm with top ART1010TOAK

Installation: Wall Hung or Floor standing with optional legs

Materials: Carcass and drawer 18mm MDF
Drawer front 25mm thick MDF

Specification: Full extension soft close drawers - 40kg weight capacity
4 way drawer adjustment
Anti-tip wall hangers 120Kg capacity

Weight: 36kg

Fitting: Wall hangers integrated into carcass
3 way adjustable wall brackets supplied

Required Fitting: Compatible to basin requirement

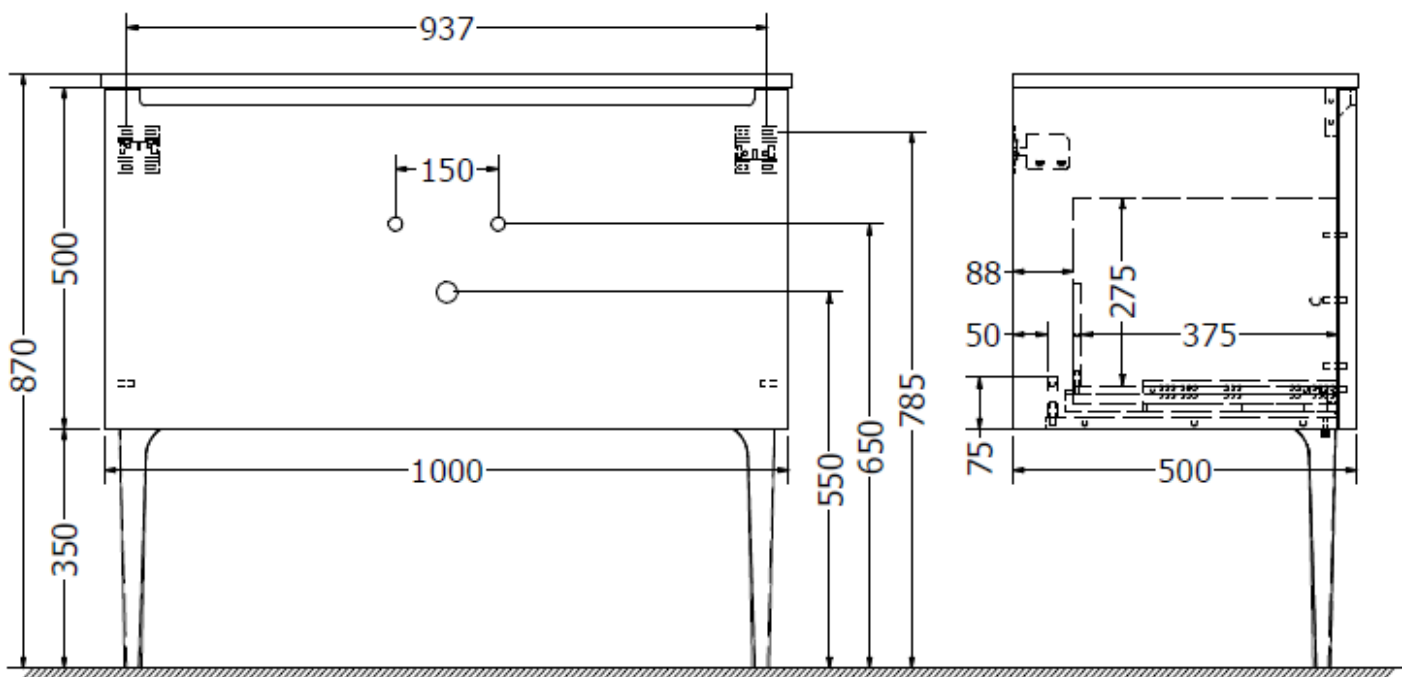
Advised Fitting: Space saving 50mm seal trap BTR0510W

Option Accessories: Floor standing legs and internal drawer organisers

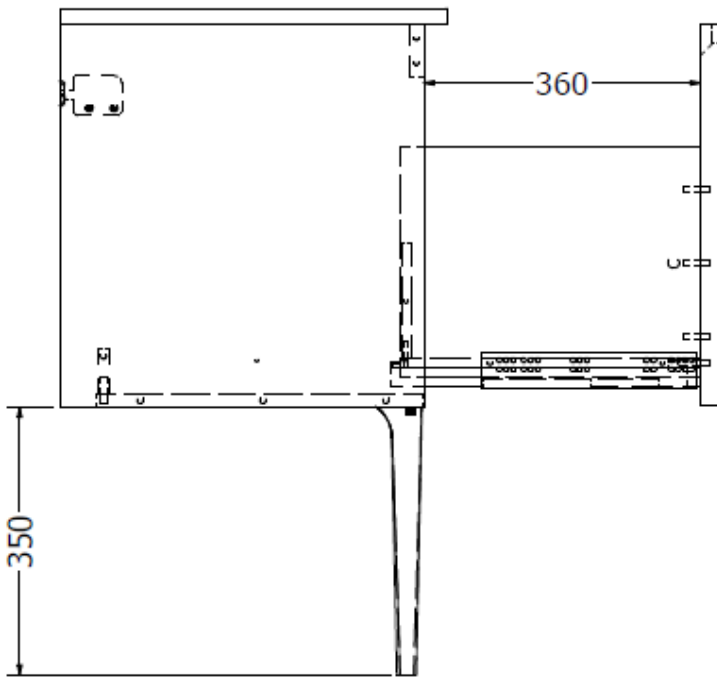
Warranty 10 years on furniture

SPECIFICATION

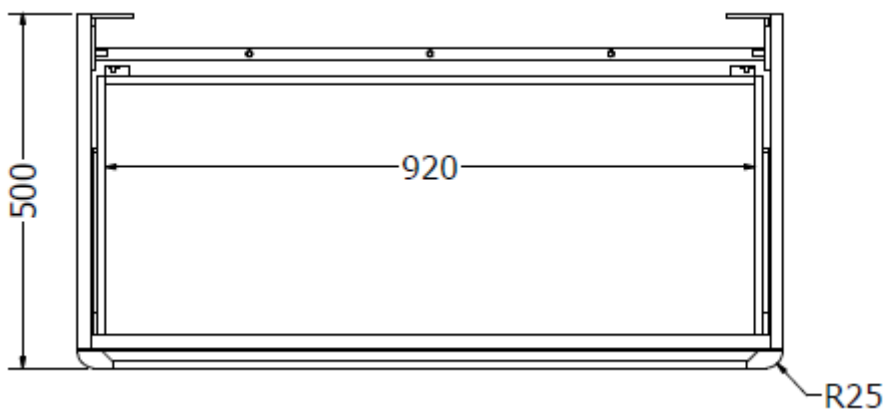
Additional Information: The intended installation wall needs to be strong enough for the weight of the furniture and basin. Wall fixings for solid walls included.
Laminate finishes/lacquer tested to ISO 22196
Measurement of antibacterial activity Graded Strong
value of anti-bacterial effect A>3 Work top is produced from FSC compliant solid oak. Optional floor standing feet produced from FSC compliant solid beechwood.



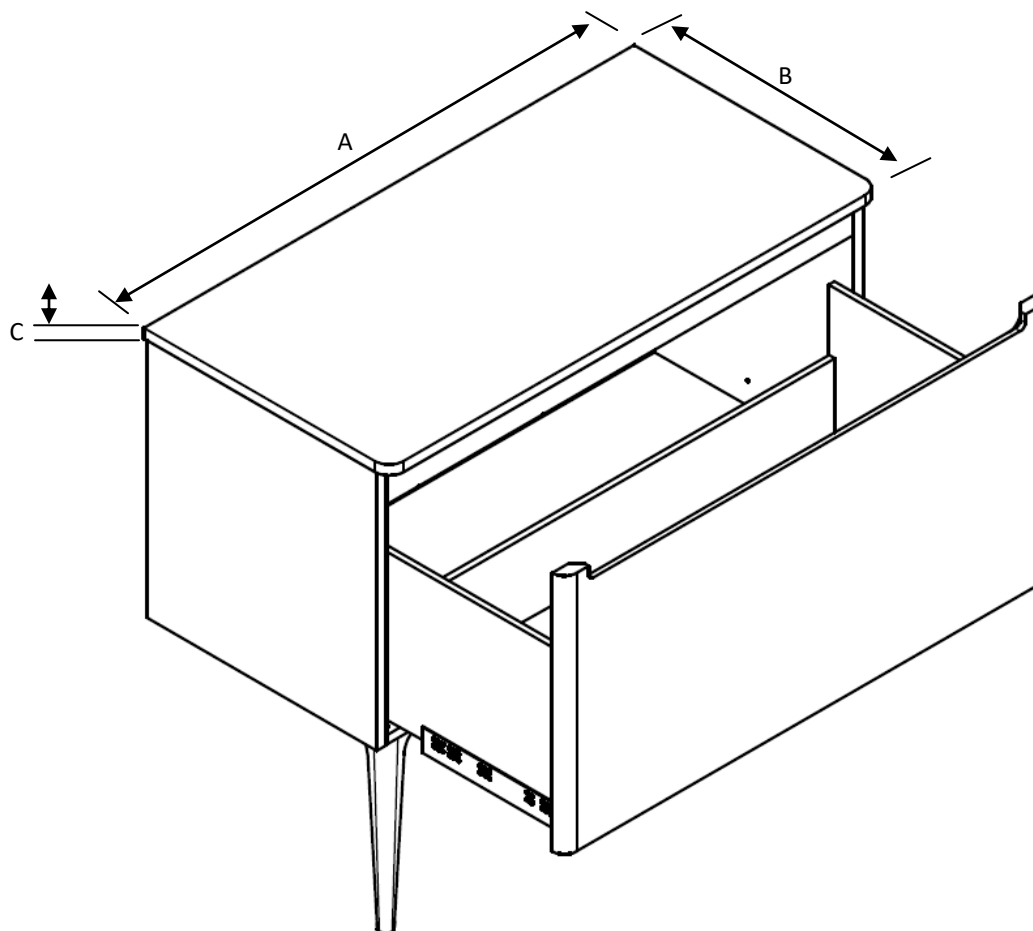
Drawer extension



Plan View



ARTIST WORKTOPS



Code	Description	Finish	A	B	C	Weight
			mm	mm	mm	Kg
ART6100TOAK	Solid Oak Worktop	Oak	610	505	20	10.20
ART8100TOAK	Solid Oak Worktop	Oak	510	505	20	12.30
ART1010TOAK	Solid Oak Worktop	Oak	510	505	20	14.00

Recommended use: Domestic, residential

Material: Matt anti UV varnish

Installation: Mounted on furniture carcass only
Supplied undrilled for waste or tap ware

Artist oak worktops are produced from solid oak. Each piece is individual in terms of tonality, grain, inclusions and knots, this is part of the endearing quality of natural wood.