

TECHNICAL DATA SHEET

Aerial SCT Slim Depth Basin - DCI 4003

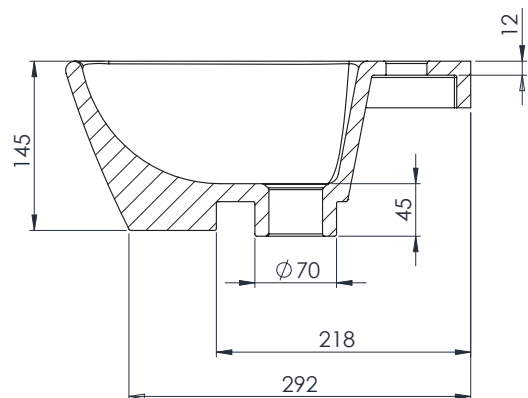
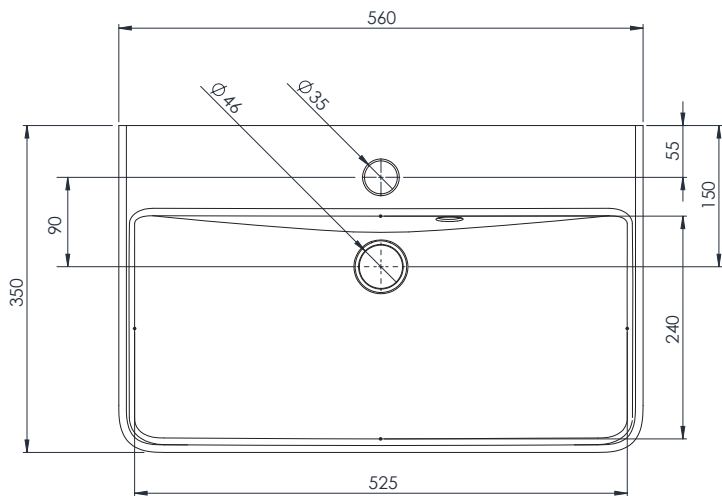
TAVISTOCK

NO.	Description	Product Code	Template included	Gross Weight
I	Semi Recess Basin - Slim Depth	DCI 4003	YES	12KG



DIMENSIONS

DIAGRAMS NOT TO SCALE | ALL DIMENSIONS IN MM TOLERANCE OF ± 5MM
ALL PRODUCTS CONFORM TO BRITISH STANDARDS



*Dimensions are subject to change, customers are advised to measure actual product before commencing installation.

**Fixing point dimensions are for guidance only. The positions of fixings must be checked when product is received.

FAQs

Q - Is a fitting template supplied?

A - Yes : Questions on cutting dimensions can be found on the template.

Q - How is the basin fixed to the furniture?

A - Fix to work top with silicone as per instructions supplied.

Key Dimensions Descriptions	Key Dimensions (mm)
Internal Bowl Depth	110mm
Internal Bowl Front to Back	240mm
Internal Bowl Left to Right	525mm
Tap Ledge	100mm
Taphole Centre to Waste Centre	90mm
Taphole Centre to Back of Basin	55mm
Waste Centre to Back of Basin	150mm
Height of Basin	145mm
Basin Overhang	132mm