

Waters

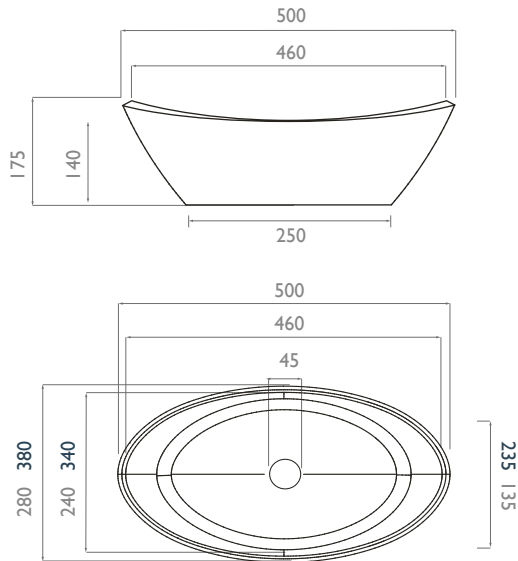
Baths of Ashbourne

Breeze - Basin

500mm - Specification



Dimensions:



Features:

20mm edge thickness - central waste countertop basin - manufactured from DQ Cast natural stone - finished in "infinity" matt white - lifetime guarantee.

Dimensions:

500x280x175 LxWxH

500x380x175 LxWxH

Weight:

Gross: 15kg - Net: 12kg

Further Info:

Full specifications, fitting instructions and 3D data files are available as PDFs and SKP files online. Other information for architects, specifiers or interior designers available on request.

Freestanding Bath also available:

Waters Baths

Breeze freestanding bath



NB: We strongly recommend this product is fitted by a suitably qualified professional. We can not be held responsible for incorrect installation

Dimensions may vary due to the bath's handmade nature. As our baths are made from natural stone, maintenance will be required to ensure its longevity.

www.watersbaths.co.uk

Waters Baths of Ashbourne - Long Lane, Dalbury Lees, Ashbourne, DE5 5BG
t: 01332 824166 e: info@watersbaths.co.uk