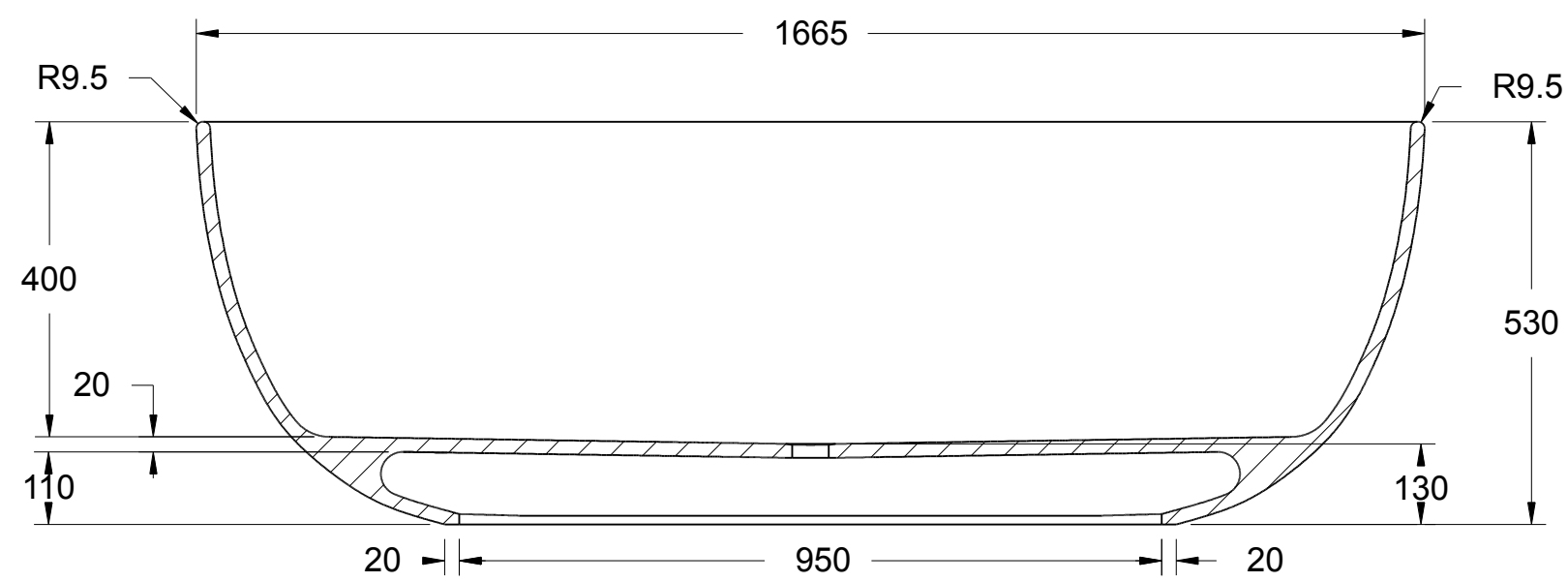
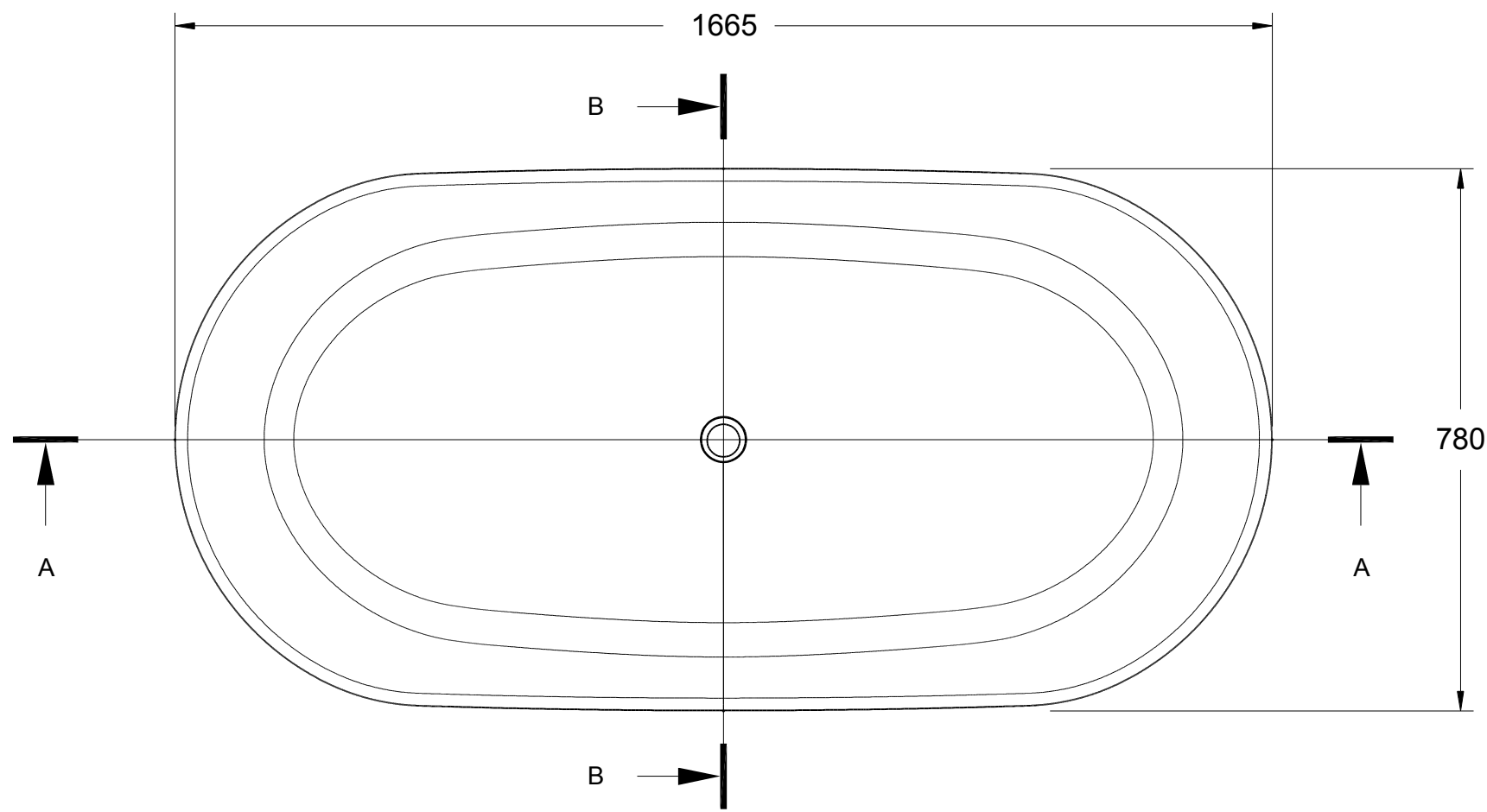
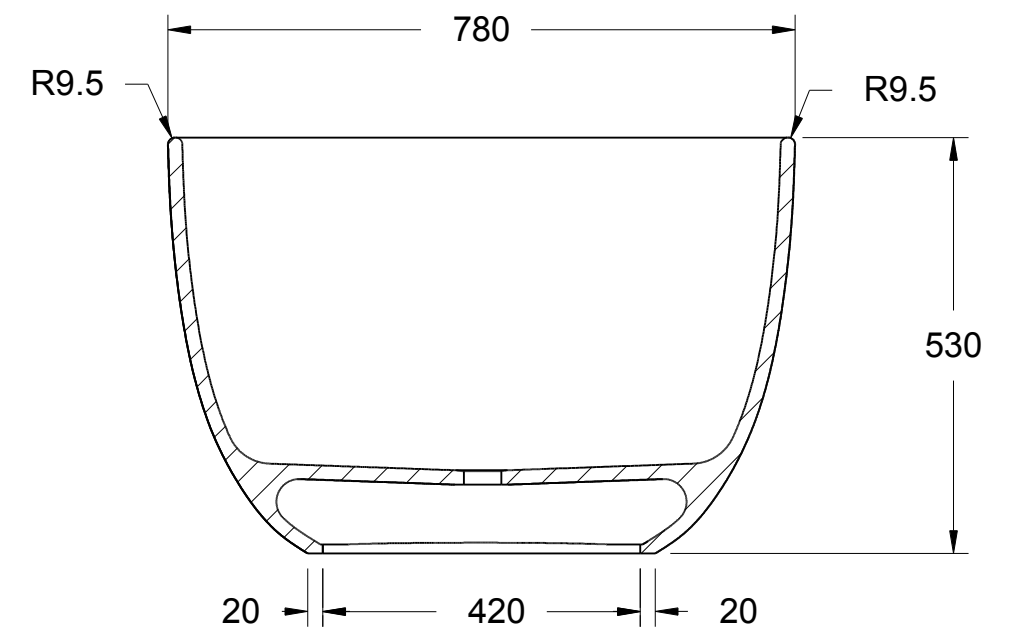


USED ON	NEXT HIGHER ASSEMBLY
-	-



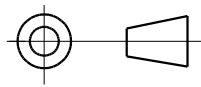
Section A-A



Section B-B

SCALE:

1:10 ON A3



DO NOT SCALE, USE DIMENSIONS.
ALL DIMENSIONS ARE IN mm

MATL:

WEIGHT = 85 kg

RESTRICTED

TITLE:

CREA BATH

FINAL APPR

APPROVED

APPROVED

CHECKED

DRAWN

FVK

18/02/2020

SUB TITLE:

Crea bath

CAD No:

DRAWING No:

1

1

Rev:

-2

REV	DRAWN	DATE	PARTICULARS	ECP No.



www.bcdesigns.co.uk