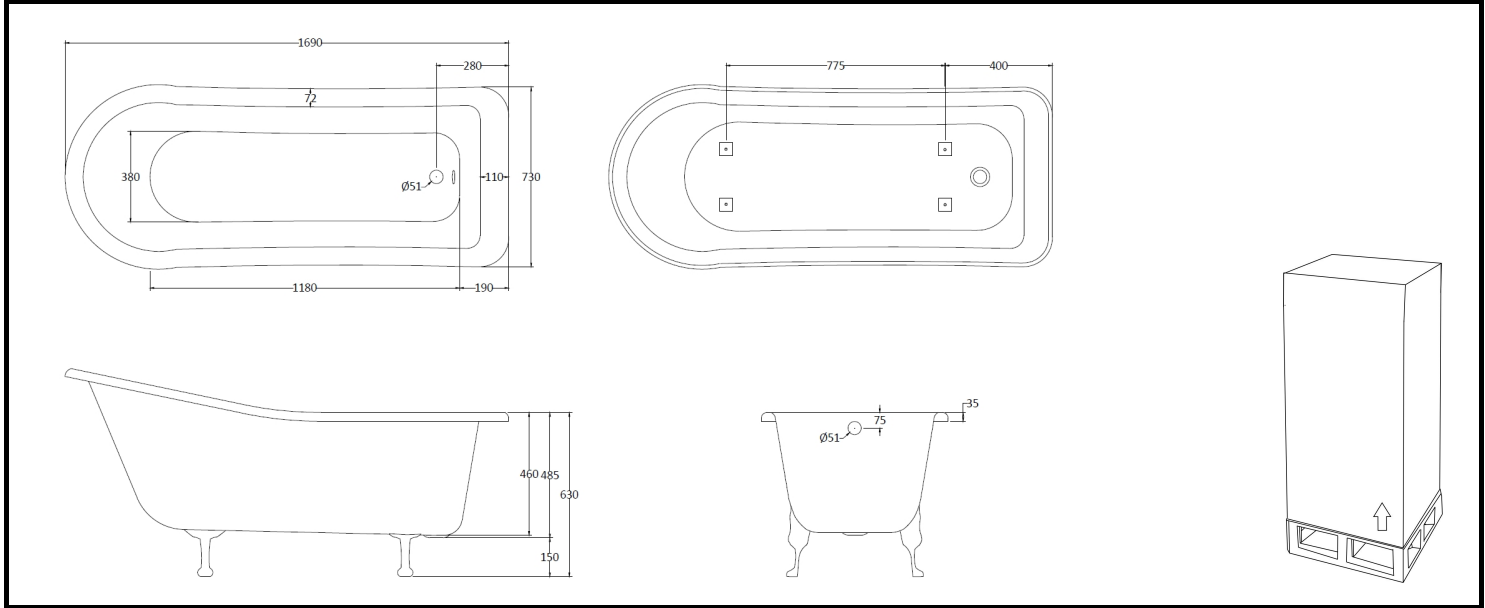


CUSTOMER SPECIFICATION SHEET - BATHS

SALES CODE: BAU017	DESCRIPTION: Fordham 1700 Slipper Freestanding Bath with Feet Set 1
---------------------------	--



PRODUCT DIMENSIONS			
Length (mm)	Width (mm)	Height (mm)	Nett Wgt Kg
1700	730	770/630	49.6

PACKAGING DIMENSIONS			
Length (mm)	Width (mm)	Depth (mm)	Gross Wgt Kg
1700	720	470	49.6

PACKAGING DATA			
Box Colour	Brown Cardboard Sleeve		
Box Qty	1	Label Colour	White Label
Label Size	100 X 50	Label Qty	2

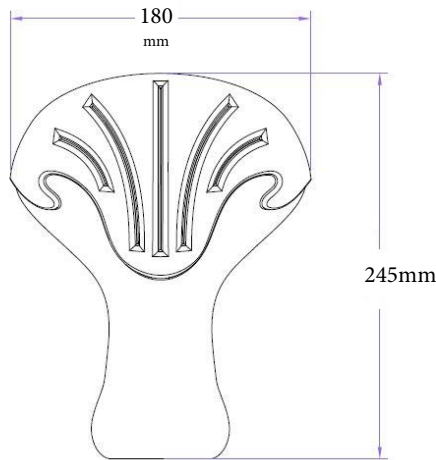
OUTER BOX DIMENSIONS (If Applicable)			
Length (mm)	Width (mm)	Height (mm)	Gross Wgt Kg
1690	760	590	54
Barcode			

PRODUCT DETAILS							
Country of Origin	China			Certification	FSC	CE	
Fitting Instruction	No			Material Colour Ref	European White		
Product Material	Acrylic			Material Thickness	14mm		
Volume (Ltr)	197L			Displaced Capacity	125L		
Leg Set Inc'	With Feet Set 1			Waste Inc'	Waste Not Included		
Drilled/Undrilled	Undrilled For Taps			Includes Grips	No Grips Supplied		
Embossed	No			No of Tapholes	None		
Anti-Slip	No						

CUSTOMER SPECIFICATION SHEET - BATHS

SALES CODE: Leg Set 1

DESCRIPTION Leg Set 1



PRODUCT DIMENSIONS

Length (mm)	Width (mm)	Depth (mm)	Nett Wgt Kg
245	180	115	4.92

PACKAGING DIMENSIONS

Length (mm)	Width (mm)	Depth (mm)	Gross Wgt Kg
500	500	250	4.92

PACKAGING DATA

Box Colour	Polystyrene Moulded Box		
Box Qty	1	Label Colour	White Label
Label Size	140 X 100	Label Qty	1

OUTER BOX DIMENSIONS (If Applicable)

Length (mm)	Width (mm)	Height (mm)	Gross Wgt Kg
Barcode			

PRODUCT DETAILS

Country of Origin	China	Certification	FSC	N/A	CE	N/A
Fitting Instruction	No	Material Colour Ref	Not Applicable			
Product Material	Steel	Material Thickness	N/A			
Volume (Ltr)	N/A	Displaced Capacity	N/A			
Leg Set Inc'	Not Applicable	Waste Inc'	Not Applicable			
Drilled/Undrilled	Not Applicable	Includes Grips	Not Applicable			
Embossed	Not Applicable	No of Tapholes	Not Applicable			
Anti-Slip	Not Applicable					