

# RAK-FEELING - RST19505A - MATT GREIGE

Back to Wall | Water Closet

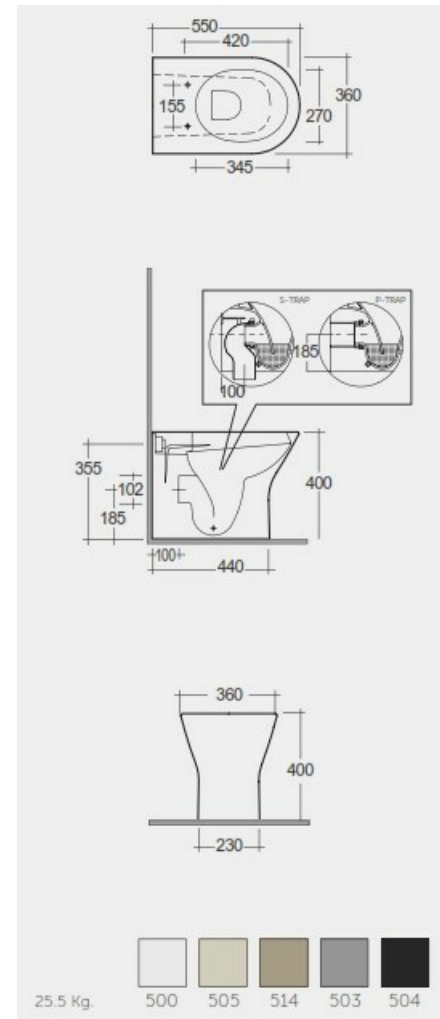
**RAK**  
CERAMICS



## Technical specifications

|                     |   |
|---------------------|---|
| Dimensions:         | 550 x 360 mm                                  |
| Weight:             | 25.5 Kg                                       |
| Color:              | Matt Greige - 505                             |
| Trap type:          | P Trap & S Trap                               |
| Trapway type:       | Concealed                                     |
| Seat cover options: | Urea  |
| Bowl shape:         | Compact Oval                                  |
| Soft close:         | yes   |
| Suites:             | <a href="#">RAK-FEELING WC'S &amp; BIDETS</a> |

| Code         | Name  |
|--------------|---|
| RST19505A    | RAK-FEELING RIMLESS BACK TO WALL WATER CLOSET 55 CM P-TRAP & S-TRAP MATT GREIGE |
| RSTSC3901514 | RAK-Feeling Urea Seat Cover   |



Dimensions: All dimensions in mm. Tolerance of vitreous china & fireclay items:  $\pm 5\%$  for below 200mm and  $\pm 3\%$  for above 200mm; for all other items tolerance  $\pm 1\%$ . Note: Due to a continuing development program to improve design and performance, the manufacturer reserves all rights to vary specifications without prior information. Please note accessories are for photographic use only.